

How to change the interface on the core switch





How to change the interface on the core switch



Adding a Core Switch with Layer 3

Just be sure you turn on routing on the core, it may be by default, then set the default route on the core to point to the router.

Understanding the Core Switch: Key Differences and Uses

Explore the core switch's role as the backbone of your network. Discover key differences, uses, and insights into layer 3 core switch technology.



Configuring the Switch Using the Web User Interface

Configuring the Switch Using the Web User Interface Note Any figures included in the document are shown for illustrative purposes only.

Cisco L3 Core Switch IP Address

Cisco Switch basic Configuration , Cisco Switch Configuration Step by Step Please watch: "Use Pen Drive as RAM" o Use Pen Drive As A Ram in Hindi , How to u --- Hi guys, I am Sunil kumar



How to Switch Between GUI and Core Mode in

To change user interface from GUI mode to Command mode: For full command (core) mode: Uncheck both "Graphical Management and infrastructure"

Cisco CLI Switch Command Cheat Sheet for 2025

Here's the Cisco CLI Switch Command cheat sheet you need for configuring and managing Cisco switches The Cisco Command-Line Interface



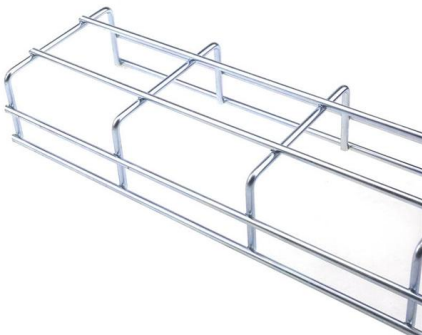
Configuring Ethernet Switch Interfaces , Auvik Networks

SWITCH# I almost never configure these features globally. Although portfast will only take effect on access ports and not trunk ports, the portfast



Configuring the Core Switch

Configuring the Core Switch Context In this scenario, IP addresses of the interfaces connecting the core switch to the BRASs and firewalls and OSPF need to be configured on the core

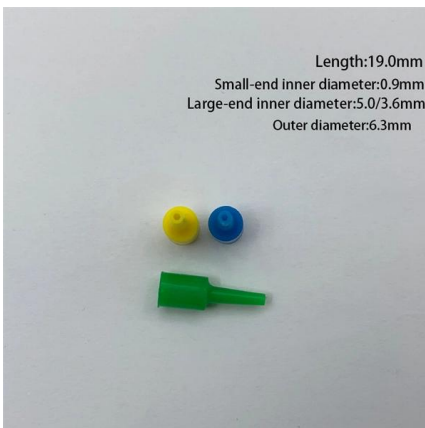


Core Switch Change

Hi all. We will be swapping our existing core switch for a new one and I want to get some verification that the procedure I have in mind is a good one to take. We currently have the following

SME Network Solution Typical Configuration Examples

"Gateway + Core Switch + Aggregation Switch + Access Switch + WAC + AP" Networking: Local Entire Network Deployment (EasyWeb) "Gateway + Core Switch + Aggregation Switch + Access Switch +



How to Configure a Cisco Switch (step by step)

If you're looking to configure a switch for the first time, this post is for you. Learn step-by-step configuration commands for Cisco IOS Switches.



Best practices when configuring an Access switch stack to Core

Make sure the core switch is the root bridge, and enable portfast and BPDU guard on all access interfaces. Do your routing on the core switch, with an L3 transit to the firewall.

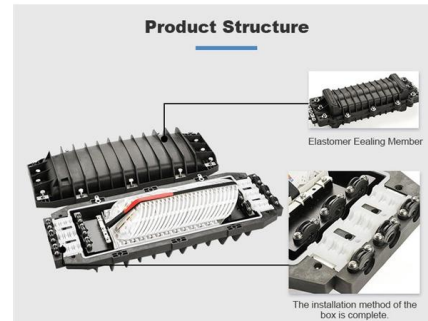


Migrating Cisco core switch to a new one

If you want to stop using vlan 1, you would wait until you have migrated to the new switch, then it would be a very quick change to modify all vlan 1 access ports to a different vlan, and quickly

Configuring a new core switch with VLANs

I have a core switch that I've purchased second hand, it's foundry switch. I have created 4 VLANs (VLAN1 to VLAN4). I have created a VLAN interface for each VLAN and assigned it an IP in



Best way to replace a core switch with minimal down time

Once you are done with that, in a maintenance window, disconnect the old switch, connect the new switch and move over all cables from one switch to another. If you have extra



Configuring the Switch Using the Web User Interface

The Web User Interface (Web UI) is an embedded GUI-based device-management tool that provides the ability to provision the device, to simplify device deployment and manageability, and to enhance



How to Log into the Web User Interface (UI) of a Cisco

The objective of this document is to show you how to access the Web User Interface (UI) on a Cisco Business switch that is not on an existing network.

Solved: Replace Core Switch

Hi I am wondering how most people go about this. If I was replacing a core switch, how would you guys recommend I migrate the config over. SSo would you 1) connect the new core to the



Introduction to Core Switch Configuration

A switch that functions as part of a router and operates at the third layer of the OSI network standard model, the network layer. The most important purpose of the layer 3 switch is to speed up the data



Configuring Interconnection Interfaces and Routes for the Core Switch

Traffic passing through the BRAS is classified into education network traffic, ISP1 traffic, and ISP2 traffic. Therefore, you are advised to configure corresponding VPN instances on the core switch to isolate

Length:33.5mm
Small-end inner diameter:4.0mm
Large-end inner diameter:6.0mm



Cisco Connected Grid Ethernet Switch Module Interface Card

This chapter describes the Cisco IOS Command Line Interface (CLI) and how to use it to configure your switch module.

Differences Between the Core Switch and Normal

A core switch is not a type of switch, but a switch placed at the core layer (the backbone of the network). Generally, large-scale enterprise networks



Cable structure



Core switch replacement

1) Bring up the new core switch stack or chassis next to or above the current one. 2) Bring the bulk of basic configurations over and map interfaces

P4 Visual Client (P4V) , Perforce Software



P4V--the P4 Visual Client is the graphical user interface for P4 which gives users direct access to their P4 server environments, making it easy to perform essential



- 50KW/100KWH
- HIGHER POWER OUTPUT IN OFF-GRID MODE
- CONVENIENT OPERATION & MAINTENANCE
- PRE-WIRED



IT news, guides and background information

News and forums on computers, IT, science, media and politics. Price comparison of hardware and software as well as downloads at Heise Medien.

SME Network Solution Typical Configuration Examples

"Gateway (AR720) + Core Switch + Access Switch + AP + AR180" Networking: Huawei eKit Cloud Management "Gateway + Core Switch + Access Switch + WAC + AP" Networking: Local Entire



Configuring the Core Switch

Configure interfaces for interconnecting the core switch with BRASs. # Create interconnection VLANs on the core switch and add interfaces to the interconnection VLANs.



Replacing core switch question? : r/meraki

If the access switches are stacked, you can use LAG to create an uplink interface back to your core and spread it out across at least 2 of the switches, allowing up to 75% of your stack to keep functioning in



ECS5520 Series CLI Reference Guide

Section II "Command Line Interface" -- Includes all management options available through the CLI. Section III "Appendices" -- Includes information on troubleshooting switch

Contact Us

For datasheets, pricing, or custom high-speed optical interconnect solutions, please visit:
<https://www.syropy.com.pl>