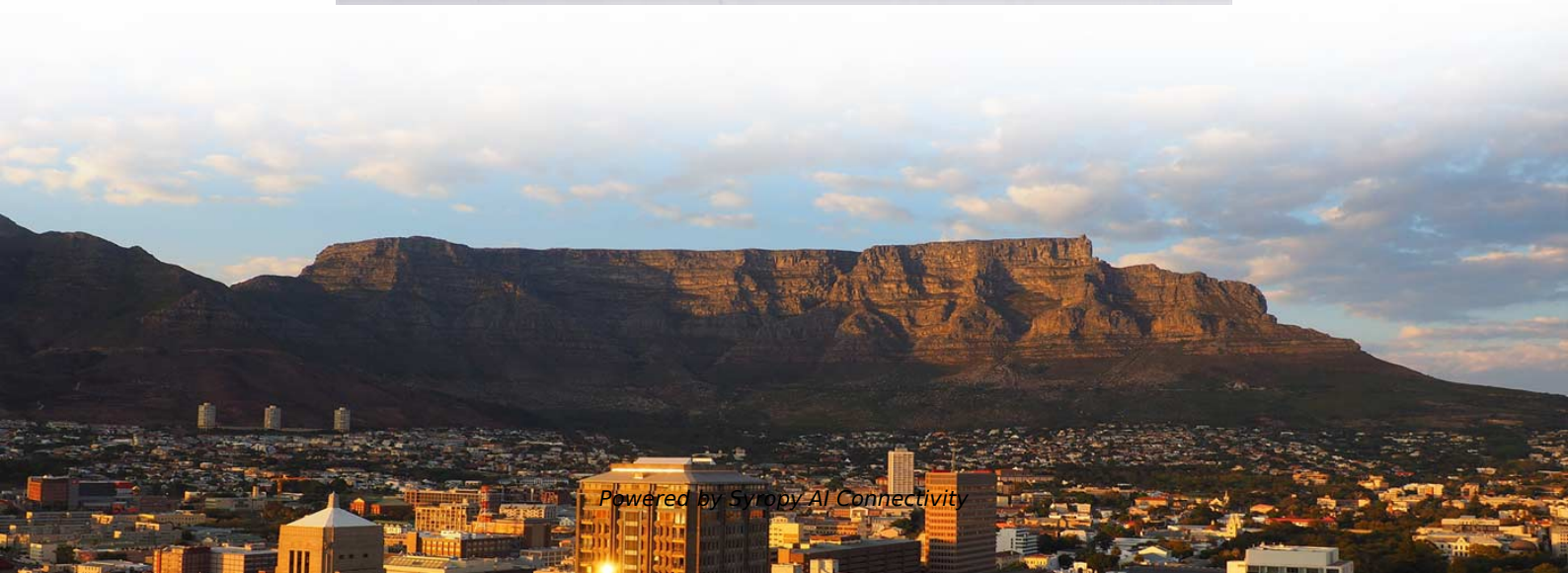


# How to adjust the fiber optic channel





## How to adjust the fiber optic channel

---

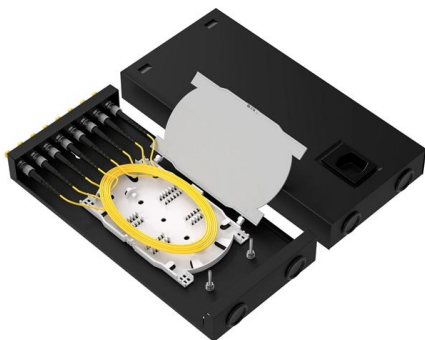
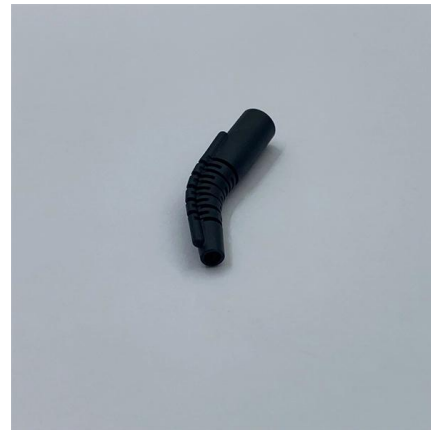


### How to Properly Install Fiber Optic Cable: A Step-by

After installation, thoroughly test the fiber optic connection to ensure that it is operational. This will assist you in identifying any issues early on and

### How to Optimize and Maintain Your Fiber Optic Network for Peak

This article will focus on fiber optic network optimization and cable maintenance, sharing proven practices to help maintain long-term network performance, reliability, and scalability. In

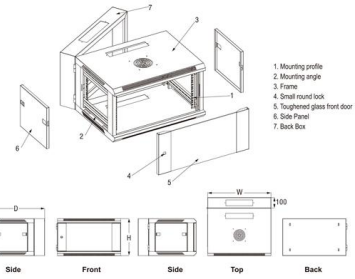


### Fibre channel, fiber channel, layers, ports, fc topologies

Fibre channel topologies depicts how nodes or devices are connecting together. These include Point-to-Point, Arbitrated loop and Fabric. Fibre channel transmits data serially, this means bit by bit. That's

### How to Identify and Measure Channel Spacing in Optical

This article provides a clear, step-by-step approach to measuring and verifying fiber channel spacing, ensuring your optical network operates at peak



### Fibre Channel

Fibre Channel typically runs on optical fiber cables within and between data centers, but can also run on copper cabling. Supported data rates include 1, 2, 4, 8,

### How to Change Your Wi-Fi Channel (And Improve)

Chances are your Wi-Fi router is broadcasting on the same channel as someone else, or maybe several people. Just like radio, Wi-Fi broadcasts use



### Fiber Internet Installation: Step-by-Step Guide (2026)

Fiber internet uses fiber optic cables instead of coaxial cables or metal wires to transmit data. Unlike traditional cable internet, which relies on



## Fiber-optic Attenuators - fixed or variable attenuation,

Fiber-optic attenuators adjust optical signal power levels, for example in fiber-optic links.



## Fibre Channel Connectivity

Fibre Channel standards define the links and protocols that form storage area networks (SANs). The Fibre Channel protocol runs on Fibre Channel, Ethernet and long haul (optical transport) links. Each

## Change LC Fiber Cable Polarity Within 30 Seconds , FS

You can change a duplex LC fiber patch cable's polarity within 30 seconds when you learn how in this video!



## How to Install Fiber Optic Cables

Fiber optic cables allow you to connect to the internet. Follow these steps to install fiber optic cables in your home.



## The Ultimate Fiber Troubleshooting Bible for Beginners

When your fiber optic network experiences issues, you need a fast and reliable process. This flowchart helps you identify and resolve most problems



### Fiber Optic Common Issues & How to Fix Them , TTI Fiber

A technician's guide to fiber optic troubleshooting: diagnose signal loss, connector, splice, bend, and return-loss issues -- with OTDR steps to fix each.

### Network Issues? Here's How to Change Wi-Fi Channels

Here are two common ways to change your router's channels. Changing the Channel by Using the Admin Interface of Your Router The Wi-Fi



### Optical Fiber and the Fiber Channel

The enormous potential of the fiber-optic channel to transmit data over long distances at high rates has been gradually unlocked by means of a number of key technological innovations underpinned by the



## @GROK PART 1 - FULL CONSOLIDATED TEXT TRANSCRIPTION

Materials & Assembly Notes Carbon-fiber reinforced nylon / PEEK for 3D-printed structures  
YBCO tape for superconducting channels 4/0 AWG copper bus, 8 AWG YBCO excitation leads



### What is Fibre Channel? History, layers, components and

Fibre Channel supports both copper and optical fiber cabling depending on the deployment. Fibre Channel copper cabling is well-suited for

### The ULTIMATE Guide to Fiber Optic Home Networking

Do you have a need to extend your home network around your property? Maybe you want reliable internet in the shed you turned into a work



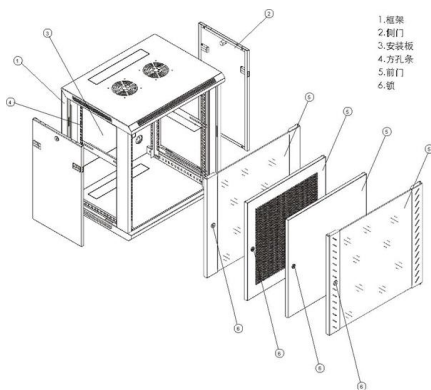
### How to Adjust

How to Adjust - Set up Keyence Fibre Optic Teach Sensor on JDA Filling & Capping Machines For sales inquiries or questions about our machinery please contact our office.



## How To Fix High Attenuation & Signal Loss In Fiber

Fix high attenuation and signal loss in Fiber Optic networks with this 5-step guide for faster, more reliable connections and reduced downtime.



### Fiber optic channel link configuration

Fiber optic channel links, which require separate optical fibers for sending and receiving information, use IBM duplex or FICON® duplex connectors, duplex jumper cables, and 2 trunk fibers.

## How to precisely align the fiber end faces of fiber optic connectors

There are many types of fiber optic connectors, but the precise alignment between optical fibers depends on two factors. One is the ceramic ferrule with precise inner diameter, outer diameter and



### Installing Fiber Optic Networks: A Step-by-Step Guide

Introduction Installing a fiber optic network can seem daunting, but with the right approach, it can be a straightforward process. This guide outlines the

## Troubleshooting Fiber Optic Connections: Ensuring Proper TX and RX



By following the steps outlined in this guide--starting with a visual inspection, verifying the alignment, and switching the patch cables--you can quickly troubleshoot and resolve most fiber



### **Optical Fiber and the Fiber Channel , SpringerLink**

The enormous potential of the fiber-optic channel to transmit data over long distances at high rates has been gradually unlocked by means of a number of key technological innovations

### **Complete Guide to Fiber Optic Home Networking**

Build a home fiber network for 1-2 Gbps speeds with this complete guide to installation, troubleshooting, and performance.



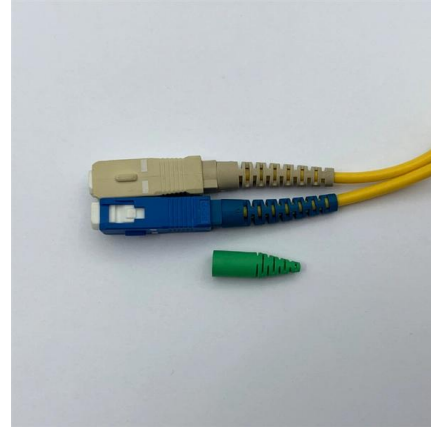
### **Configure advanced Wi-Fi settings**

Configure advanced Wi-Fi settings through your GFiber account. Update your network name, bands, and security options for improved performance and control.



## How to Adjust Fiber Optic Sights: A Comprehensive Guide

Discover how to adjust fiber optic sights with Crate Club--your ultimate source for premium tactical, survival, and self-defense gear. Get expert tips, guides, and tools to stay prepared for every mission



## Contact Us

---

For datasheets, pricing, or custom high-speed optical interconnect solutions, please visit:

<https://www.syropy.com.pl>