

How much does a primary distribution box cost in Panama





How much does a primary distribution box cost in Panama

Powerful manufacturers · 20+ years of experience · Support customization

For more product types, please contact customer service>>>

Search Inquiry

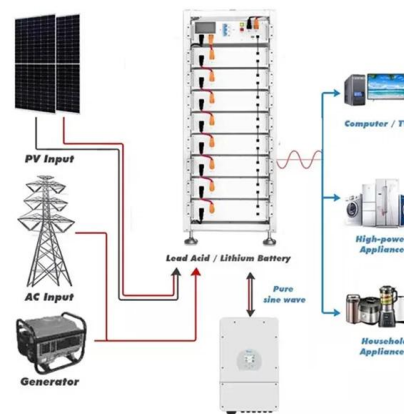


Outdoor Power Distribution Box Manufacturers & Factory in Panama

The advantages of our green and smart power distribution equipment, in terms of being environmentally friendly, incredibly dependable and cost-effective, have been recognized by many customers from a

Per diem rates

Per diem rates We establish the per diem rates that federal agencies use to reimburse their employees for lodging and meals and incidental expenses incurred while on official travel within

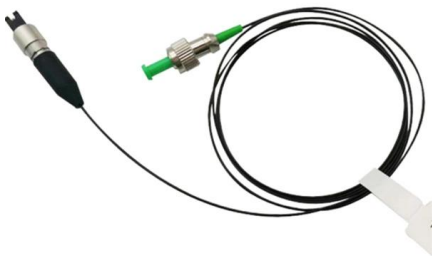


The Meaning and Function of Primary, Secondary, and Tertiary

Follows the principle of "one machine, one switch, one RCD, one box, one lock," ensuring no single switch controls multiple devices. This explanation aims to clarify the roles and functions of

Your Ultimate Guide to Sourcing Power Distribution Box

This comprehensive guide explores every facet of power distribution boxes, from the different types and materials used to manufacturing standards and quality control practices.



What Is an Electrical Distribution Box? A Complete Guide

How Much Does a Distribution Box Typically Cost? Distribution box costs vary widely, influenced by pricing options, material costs, brand

Distribution Box Replacement Cost Guide - Design Transition Studio

Distribution Box Replacement Cost Guide January 24, 2026 Buyers typically pay a broad range for replacing a distribution box, driven by box size, amperage, wiring runs, and local labor rates. This



Google Maps

Find local businesses, view maps and get driving directions in Google Maps.



Distribution Box Replacement Cost Guide 2026

Overview Of Costs Cost ranges account for panel amperage, location, and whether a full upgrade or repair is needed. A typical home replacement for a 100-125A indoor panel runs about



What Is a Distribution Box?

What to Look for When Choosing a Distribution Box If you're going to buy a distribution box, there are several things you should look for. You should

Wikipedia:Vital articles/List of all articles

Explore a comprehensive list of vital articles on Wikipedia, covering diverse topics and essential knowledge for readers.



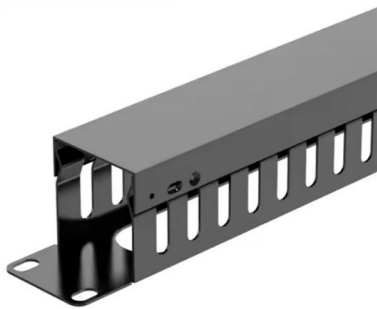
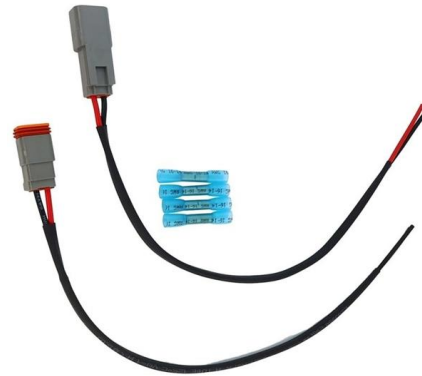
Distribution Box Replacement Cost Guide - One and Done Prep

Typical cost ranges for replacing a distribution box or service panel in the United States vary widely based on panel size, amperage, labor, and whether a full service upgrade is needed.



The Complete Guide to Distribution Box: Installation, Types & More

Quality distribution boxes represent a wise investment that pays dividends through improved safety, reduced maintenance costs, and enhanced system flexibility. As electrical demands



How Much Is A Distribution Box A Complete Buyers Guide

The Price Landscape: Breaking Down the Costs
When you start looking for a distribution box, you'll quickly realize the price range is wider than a highway. You might find a small plastic unit for the

Scribd: Home to the world's documents.

For just [\$11.99/month] you will enjoy the following benefits: Looking for audiobooks and ebooks? Visit Everand. Can I upload and share documents on Scribd? Yes, you can upload documents to reach a



Power Generation and Cost of Electricity in Panama

Panama's electricity market relies on a mix of sources, including hydropower, natural gas, solar, wind, and oil. The Electric Transmission Company manages electricity transmission while distribution is

The Ultimate Guide to Distribution Box



Discover the key types of distribution boxes with NUOMAK's comprehensive guide. Learn about Main Distribution Boards (MDB), Consumer Units, Transfer



Ht 8 Distribution Box Circuit Breaker Box , Desertcart Panama

Our prices include the product cost, international shipping, import duties, customs clearance, and local delivery charges. We handle all customs and import procedures, ensuring there are no hidden fees



Distribution-box Import Data of Panama

View details of Distribution-box import data to Panama with price, product description, HS Codes, quantity, country, buyer's name, major ports and more. Search and download Panama imports data.



How to Choose a House Distribution Box , CHINT global

A well-chosen distribution box ensures the safety and efficiency of your household electrical system. This article guides you through selecting a



Panama distribution boxes tenders



Get access to latest Panama distribution boxes tenders and government contracts. Find business opportunities for Panama distribution box tenders.



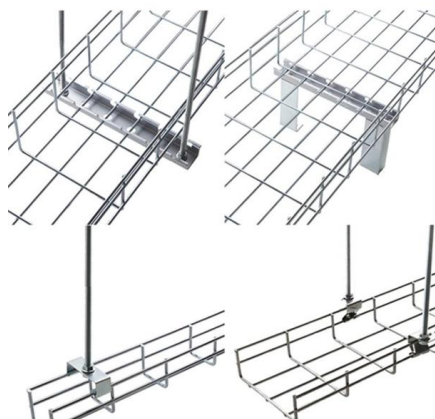
Outdoor Power Distribution Box Manufacturers & Factory in Panama

Maritime & Logistics Sector The Panama Canal expansion project, completed in 2016, doubled the waterway's capacity and necessitated significant upgrades to electrical infrastructure. Modern



Distribution Box Guide: Types, Components & Solutions

Understand distribution boxes (DB boxes) in 5 minutes. Learn about types, components, functions, and uses. Find the perfect DB box for your needs.



How Much Is A Distribution Box A Complete Buyers Guide

When you start looking for a distribution box, you'll quickly realize the price range is wider than a highway. You might find a small plastic unit for the price of a fancy dinner, or an industrial-grade



Distribution Boxes: Types and Functions

Learn what an electrical distribution box (DB/distribution board) is, its main components (MCB/RCCB/RCBO, SPD, busbar) and common types.



Distribution Box Cost Guide 2024: Comprehensive Pricing, Features

Discover complete distribution box cost analysis including pricing factors, advanced features, safety benefits, and smart technology innovations. Get expert insights on ROI, installation costs, and long

Explore Power Distribution Box Types and Functions

Power distribution boxes are used in commercial and residential buildings and are part of the electrical system, also known as switchboards.



Power & Electricity in Panama (2026): 110V,

Cost of Electricity In Panama, the average cost in 2023 of residential electricity is around \$0,170 per kWh while the cost for businesses is around



New Panel Box Cost Guide 2026 - LatestCost - Real-Time Price

The cost of a new panel box depends on the box size, meter/branch requirements, enclosure type, and labor for installation. This article breaks down typical price ranges and driving



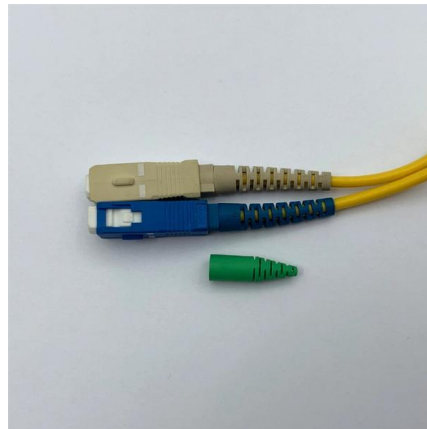
Explore Distribution Boxes for Every Setting with Different Types

Distribution boxes act as the central hub, receiving the main electrical supply and dividing it into designated circuits for lighting, outlets, and appliances. They provide a safe and organized way



What is a Distribution Box? - A Comprehensive Guide

A distribution box organizes and controls power flow, ensuring safety and efficiency in electrical systems.



Contact Us

For datasheets, pricing, or custom high-speed optical interconnect solutions, please visit:
<https://www.syropy.com.pl>