

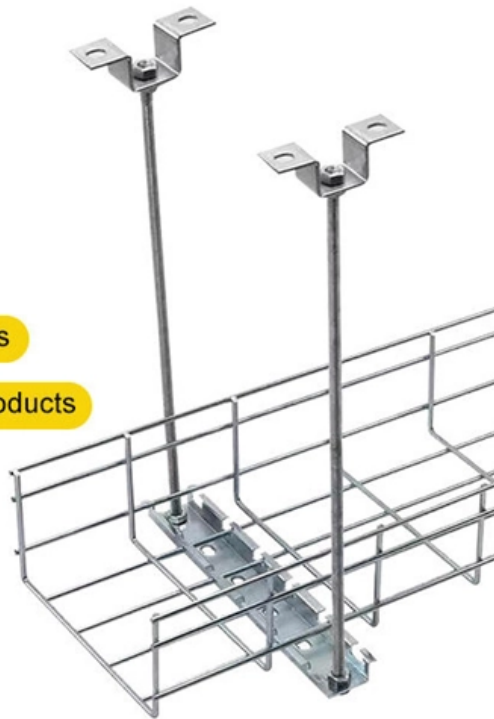
How much does a power distribution box cost in South Korea

STAINLESS STEEL WIRE MESH

Long-lasting and durable

Comprehensive specifications

Customized non-standard products





How much does a power distribution box cost in South Korea

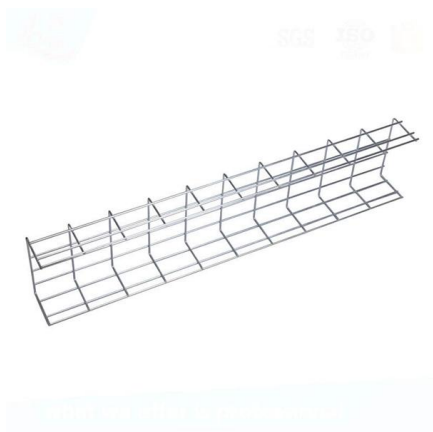


South Korea Electric Power Transmission And

The electric power transmission and distribution equipment market in South Korea is expected to reach a projected revenue of US\$ 9.1 billion by 2030. A compound

Atlantic International University

Hier sollte eine Beschreibung angezeigt werden, diese Seite lässt dies jedoch nicht zu.



Distribution Box Cost Guide 2024: Comprehensive Pricing, Features

The distribution box cost includes sophisticated sensors that continuously monitor voltage levels, current flow, power quality metrics, and environmental conditions, providing comprehensive data for

South Korea Power Transmission and Distribution Research

34 comprehensive market analysis studies and research reports on the South Korea Power Transmission and Distribution sector, offering an overview with historical data since 2019 and



Top Content on LinkedIn

Explore top LinkedIn content from members on a range of professional topics.



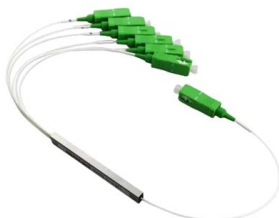
Power Generation, Transmission & Distribution 2025

The market price is determined not by price bidding but by summing the increase in actual variable costs for additional electricity supply (the system)



Electricity market in South Korea

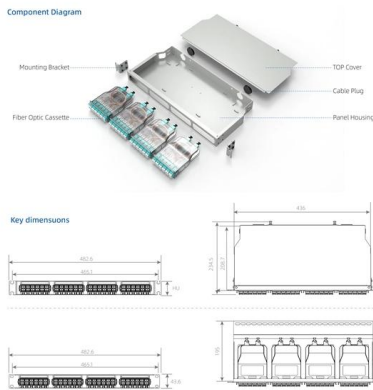
It provides a brief overview of the electricity market in South Korea, breakdowns of statistics related to power generation, consumption, and prices followed by data on major relevant





The Seattle Times

Home Page. Weather; Today's Paper; Newsletters; Log In; Subscribe; COMPANY. About; Contact; Careers; Permissions; Newsroom Staff;



Speak Up Boldly Group , This needs to go viral , Facebook

This needs to go viral! And their charges is were speaking against Israel and America's support of Israel!

The Atlantic

The Atlantic covers news, politics, culture, technology, health, and more, through its articles, podcasts, videos, and flagship magazine.



Press corner , European Commission

Find highlights, press releases, and speeches from the European Commission in one place.





Distribution Box Cost Guide 2024: Comprehensive Pricing, Features

Discover complete distribution box cost analysis including pricing factors, advanced features, safety benefits, and smart technology innovations. Get expert insights on ROI, installation costs, and long



unsupervised_topic_modeling/topics/en/17/ 100/50/topics at

Contribute to annontopicmodel/unsupervised_topic_modeling development by creating an account on GitHub.

Présentation PowerPoint

Grid facts and characteristics The electricity grid in Korea is sub-divided into transmission grids (EHV, HV, DC) and distribution grids (medium and low voltage)



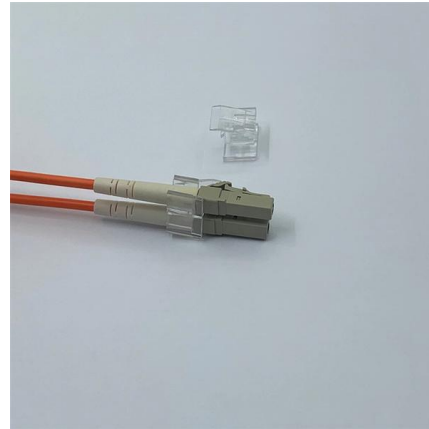
Power Generation, Transmission & Distribution 2025

In South Korea, although the generation, transmission, distribution and supply segments of the power industry are unbundled, KEPCO has a monopoly



South Korea: electricity market SMP 2025, Statista

The system marginal price (SMP) for electricity in South Korea has seen a steady decline from its peak in 2022.



South Korea: electricity settlement tariff 2024, Statista

The average electricity tariff price in South Korea saw a significant increase in the last two years, having exceeded 100 South Korean won per kilowatt-hour.

Healthline: Medical information and health advice you

We're committed to being your source for expert health guidance. Come to us in your pursuit of wellness.



cs-178-project/imdb.vocab at main · apmalani/cs-178-project

Contribute to apmalani/cs-178-project development by creating an account on GitHub.



Electricity market in South Korea

The most important key figures provide you with a compact summary of the topic of "Electricity market in South Korea" and take you straight to the corresponding statistics.



ITPro Today, Network Computing, IoT World Today combine with

ITPro Today, Network Computing and IoT World Today have combined with TechTarget . The page you are looking for may no longer exist.



CMU School of Computer Science

çç-- bowls èì~ bowls ç¥"æ^ì box ç>'å box ç>'å
boxes ç@± boxes æ<³å?» boxing å>½æoe⁻
boxing ç"·å© boy å©å boy ç"·å < boyfriends ç"·
boyfriends è?²å° boyhood ç"·å© boys ç"·ç"Y boys
å½çæEUR brac



Latest news & breaking headlines , The Times and The

The latest breaking UK, US, world, business and sport news from The Times and The Sunday Times. Go beyond today's headlines with in-depth





Understanding Distribution Boxes: A Comprehensive Guide

A distribution box, also known as a power distribution box or electrical distribution box, is used to distribute electrical power safely to multiple



LATEST COMMUNICATION SERVICES STOCK ANALYSIS

Seeking Alpha's latest contributor opinion and analysis of the communication service sector. Click to discover stock ideas, strategies, and analysis.

Consumer electricity prices , South Korea (2025-2025) - Data, Charts

Official data of South Korea for all years of statistics, in an easy-to-read format. Consumer electricity prices: Historical data, charts and comparisons. Explore trends, growth rates, and changes over time.



Contact Us

For datasheets, pricing, or custom high-speed optical interconnect solutions, please visit:
<https://www.syropy.com.pl>