

How many wires are appropriate to connect to a fiber optic pigtail





How many wires are appropriate to connect to a fiber optic pigtail



Comprehensive Guide to Fiber Optic Pigtails , Gezhi Photonics

A simplex fiber optic pigtail, for example, has a single fiber and a connector on one end, while a duplex fiber optic pigtail has two fibers and two connectors.

Fiber Optic Pigtail: The Complete Guide to Types, Splicing Methods

This guide covers everything: what fiber optic pigtails are, how they differ from patch cords, which connector and polish type to specify, how to choose between mechanical and fusion



What is Fiber Pigtail? A Complete Guide for Beginners

A fiber pigtail is a fiber optic cable with pre-terminated fiber connector and exposed fiber. This guide introduces fiber pigtail basics, types.

Fiber Optic Pigtails: Uses & Differences from Patch Cords

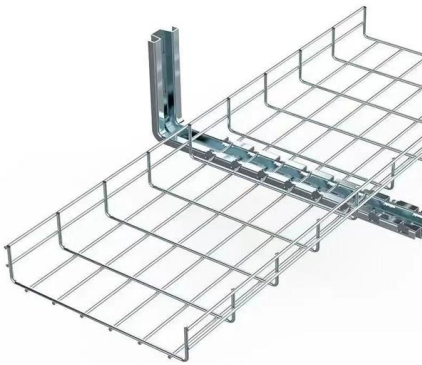
Understand fiber optic pigtails -- definition, types, and how they differ from patch cords. Learn why pigtails ensure reliable, low-loss fiber terminations.



Integrated Aluminum Alloy
Die Casting



Durable and Secure Metal Screws



An Introduction to Fiber Optic Pigtails

Fiber optic cable installation is much more dependent on the attachment system than you might think. How cables connect to the entire system

Fiber-optic cable

A fiber-optic cable, also known as an optical-fiber cable, is an assembly similar to an electrical cable but containing one or more optical fibers that are used to carry



Fiber Optic Pigtail Meaning:What is it and How to

Fiber optic pigtail is an unbuffered optical fiber that has one end terminated with a fiber optic connector and the other end for splicing.



Fiber Optic Pigtail Introduction and Installation Guide

The fiber optic pigtail is a short terminated optical fiber with a connector on one end, used to facilitate easy connections between fiber optic cables and various



What is Fiber Pigtail? A Complete Guide for Beginners

A fiber pigtail is a thin multimode or single-mode fiber optic cable with a connector installed on one end. The purpose of the fiber pigtail is to terminate

The Ultimate Guide to Pigtail Cable Assemblies and

Optical fiber pigtail cables are used in many different areas, mainly, telecommunications, data centers, and networking environments. It is ideal for



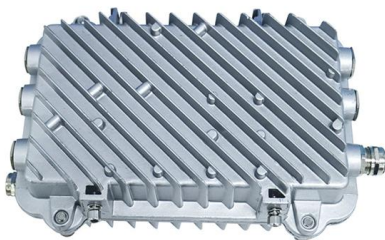
Fiber Optic Pigtails: Uses & Differences from Patch Cords

In this guide, we will break down what fiber optic pigtails are, how they differ from patch cords, what types exist, and how to select the right one for



Beginner's Guide: Fiber Pigtails & Their Importance

A fiber pigtail is a type of fiber optic cable with a factory pre-terminated connector on one end and exposed fiber on the other. This design makes the fiber pigtail



What is a Fiber Optic Pigtail, and What Is It Used For?

A fiber optic pigtail is a type of fiber optic cable with only one end that has a factory-terminated connector and the other end exposed as bare fiber. A

What is Fiber Optic Pigtails

4. Choosing the Right Fiber Optic Pigtail Selecting the appropriate fiber optic pigtail involves several considerations: Fiber Type: Choose single-mode for



Comprehensive Guide to Fiber Optic Pigtails , Gezhi Photonics

Simplex fiber optic pigtail has one fiber and a connector on one end. Duplex fiber optic pigtail has two fibers and two connectors on one end. Each fiber is marked "A" or "B" or different



What Is a Fiber Optic Pigtail? Full Guide to Pigtail Fiber

Comprehensive guide to fiber optic pigtails: Explore types, pigtail connectors, fiber counts, and applications for FTTH, data centers, industrial



What Is Fiber Optic Pigtail and How to Splice It?

While for mechanical fiber optic pigtail splicing, it precisely holds a fiber optic pigtail and fiber patch cord together, the joint could be temporary or



Fiber Optic Cable vs Patch Cord vs Pigtail - Complete Guide

Understand the differences between fiber optic cables, patch cords, and pigtails. Learn standards, applications, and how to choose the right fiber solution



Fiber Optic Pigtail: What Is It and How to Classify It?

Fiber optic pigtails could have 1, 2, 4, 6, 8, 12, 24 and 48 strand fiber counts. Simplex fiber optic pigtail has one fiber and a connector on one end.





What is a Fiber Optic Pigtail, and What Is It Used For?

If you've heard terms like pigtail plug connector, pigtail tool, or pigtailling wires, this is what they're talking about. It is all about making clean, strong fiber connections easy. Continue reading the



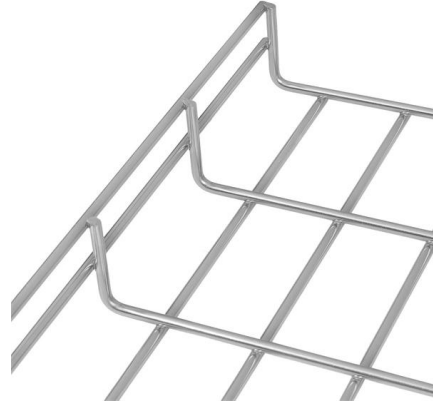
Everything You Need to Know About Fiber Pigtails

Fiber pigtails come in many types, and choosing the right one depends on connector style, fiber type, core count, and application environment. Below is a breakdown of the most common



Fiber Optic Pigtails: Choosing the Right LC, ST, or SC

Learn about the importance of fiber optic pigtails in network connections and discover the differences between LC, ST, and SC pigtails. Find



AshwinD24's gists · GitHub

GitHub Gist: star and fork AshwinD24's gists by creating an account on GitHub.



What is a Fiber Optic Pigtail? , Types, Uses & Advantages

Learn what a fiber optic pigtail is, how it differs from patch cords, and why it's essential for efficient fiber termination in telecom and FTTH systems.



More products



Fiber Optic Pigtail: What Is It and How to Splice It?

They provide a reliable and efficient way to terminate optical fibers and enable seamless connectivity. In this article, we will explore what fiber optic

The Ultimate Guide to Fiber Pigtail

Hardware Secrets: Fiber Optic Cables - A Comprehensive Guide: This comprehensive guide discusses everything you need to know about fiber



What Is Fiber Optic Pigtail and How to Splice It?

Multimode fiber optic pigtails use 62.5/125 micron or 50/125 micron bulk multimode fiber cables and terminated them with multimode fiber optic



How to Splice Fiber Optic Pigtails: A Step-by-Step Guide

Master the art of fiber termination. Learn how to splice fiber optic pigtails using fusion splicing, follow the color code, and ensure low insertion loss.



Fiber Optic Patch Cords & Pigtails Selection Guide

Learn how to pick the right fiber optic patch cord or pigtail. Avoid installation errors. Based on 12+ years of field experience. Step-by-step guide

Contact Us

For datasheets, pricing, or custom high-speed optical interconnect solutions, please visit:
<https://www.syropy.com.pl>