

How many amperes should be used for a network server rack



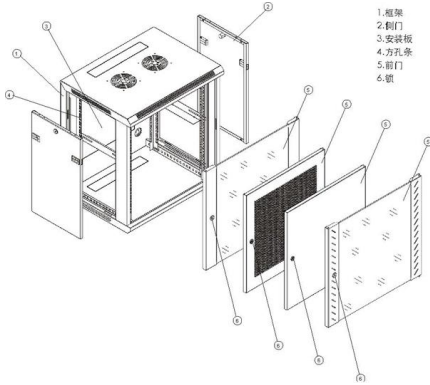


Overview

A server rack typically draws between 10-60 amps, depending on its power density, hardware type, and configuration. Most standard racks use 20-30A circuits at 208/240V, while high-density setups with GPUs or blade servers may require 50A+ circuits. Configure different server, storage, and design attributes to explore different scenarios.



How many amperes should be used for a network server rack

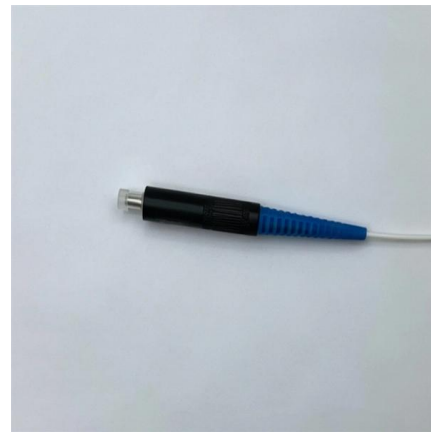


How many amps do my servers use? , A Common

However, before colocating your servers and appliances, we recommend you to calculate how many Amps your system will draw. Below is a

How Much Power Does A Server Rack Use?

The average power consumption of a server rack can vary based on several factors, including the number of servers, server hardware configurations,

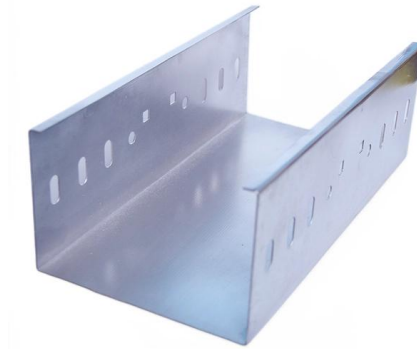


How Many KW Does a Rack Use?

For instance, major data centers are increasingly implementing racks that use 20 kW or more. 2. Power Efficiency: Power efficiency has been one of the major considerations in a server or data centre

How To Wire a Server and Network Rack , Tips & Best

Discover rack unit sizing, cable management, labeling, bonding, and grounding for optimal performance and reliability.



How To Calculate Your Average Server Rack Power

Once you have all this information, you're ready for the next step to measure your average server rack power consumption. Make Your Calculations The first



How to Calculate Rack Power?

Calculating rack power is a crucial step in data center design and management. Accurate power calculations ensure efficient operation, prevent overloading and help optimize cooling systems.



How to power a large server rack? : r/HomeNetworking

HomeNetworking is a place where anyone can ask for help with their home or small office network. No question is too small, but please be sure to read the rules before asking for help. We also welcome





How Many Amps Does a Server Rack Use? Key Factors & Calculations

A server rack typically draws between 10-60 amps, depending on its power density, hardware type, and configuration. Most standard racks use 20-30A circuits at 208/240V, while high-density setups with



Data Center Power Calculator , Consolidated Electronic Wire & Cable

One of the most powerful tools used in AI data center construction - the calculator. Use Consolidated Electronic Wire & Cable's to ensure reliable data center cabling solutions.

How Many KVA Per Rack?

1. Equipment Specifications: The power requirements of the equipment housed within each rack are the primary determinant of kVA per rack. This includes not just the servers but also networking gear,



Server Rack Buying Guide

Server Rack Basics What is a server rack? A server rack is a specialized frame or cabinet designed to securely house servers, networking equipment, and other



Power Rack Consumption Calculator

Implementing energy-efficient servers, optimizing cooling systems, and using server virtualization can significantly reduce power consumption. Why is it important to calculate power



How to Correctly Wire a Network Rack? - VCELINK

Safety should always be a top concern when installing any server rack: Prevent overloading: Don't exceed weight or cable density thresholds on your



Guidelines for Server Rack Organization

Without an effective rack cable management solution, the cables inside a server rack can quickly turn into a tangled mess, creating significant



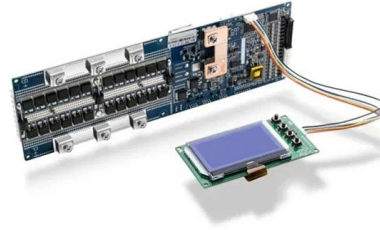
How to correctly size power requirements for server

The better the balance of rack loads, the better the rack behaves. Here's how to correctly size your power requirements for server racks.



How To Calculate Your Average Server Rack Power

The first calculation you'll need is how many amps to use per server. The best way to find this value is to divide your server's power supply, or server watts, by your



Power requirements for a server rack : r/sysadmin

A fully-populated modern rack can consume as much as two 208VAC (United States) 20-amp circuits at less than 80% and full redundant. In other words, with both circuits up, each would be at 40%

How much power does a server rack need?

How much power does a server rack need? The power requirements for a server rack depend on rack density, equipment type, and operational demands. A standard 42U rack typically draws 4-12 kW for



How Deep Should My Server Rack Cabinet Be? A Complete Guide

Prioritize Depth in Your Rack Design Choosing the right server rack isn't a matter of looks or cost -- it's about functionality,



How much power does a server rack need?

The power requirements for a server rack depend on rack density, equipment type, and operational demands. A standard 42U rack typically draws 4-12 kW for enterprise workloads, while high-density

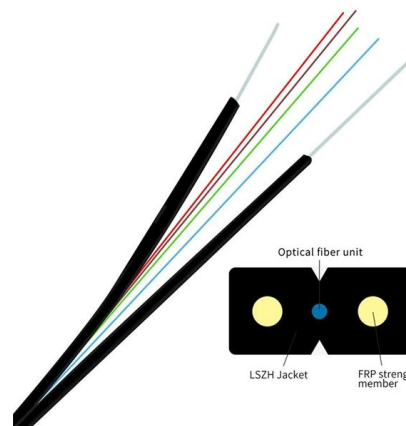


Data Center Server Rack: The Ultimate Guide

Master the art of data center server rack management with our ultimate 2024 guide. Rack selection, organization, and optimization with ENCOR.

Data center power sizing calculator , Schneider Electric

Use this TradeOff Tool to estimate the power required by a data center with traditional, or AI/HPC servers. Configure different server, storage, and design



Should server racks be grounded?

Server racks must be grounded to ensure electrical safety, prevent equipment damage from power surges, and mitigate electromagnetic interference (EMI).



Proper Sizing for PDU's/Power in Rack

I've struggled with sizing my power sources and associated PDU's in my server racks. Somehow I feel like I'm way oversizing things based on nameplate requirements on power supplies. My simplistic



Server Rack Cable Management: Best Practices and Comprehensive

Server rack cable management is a vital aspect of maintaining a reliable, efficient, and scalable IT infrastructure. By following best practices such as planning, using cable management accessories,

A Guide to Server Rack Sizes for Data Centers

What's the best server rack size for your data center? That's a simple question with a complicated answer. Today, server racks are available in a wide



How much power for a typical network rack? : r/HomeNetworking

My server is ~ 130w when on (PC with 14 drives), the network. Cable modem, 24 port poe switch, firewall, 10g switch, 2.5g switch, 4x poe 5 port switches, 2 cameras, 2 APs and camera recorder is ~



Network Rack Installation 101 - VCELINK

A standard rack server is usually used to house and organize different network devices, like switches, servers, and other hardware. A well



How to Setup a Server Rack: Tips and Tricks {Step-by

This article outlines the steps to setup a server rack and offers the tips and tricks for securely building the rack.

Contact Us

For datasheets, pricing, or custom high-speed optical interconnect solutions, please visit:
<https://www.syropy.com.pl>