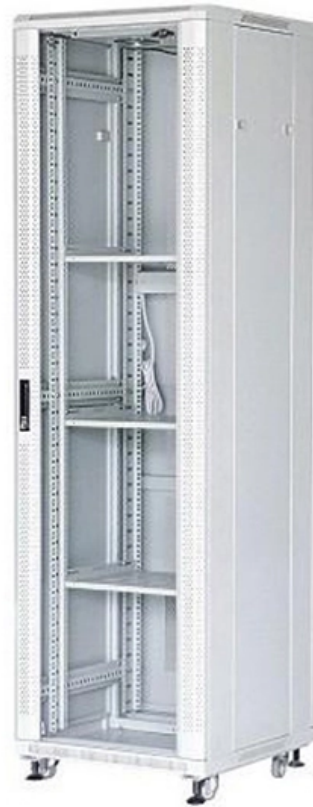


How fragile are optical cables





Overview

While fiber optic cables are often perceived as fragile, they are actually quite robust and can withstand a significant amount of stress and strain. But is this really the case?

In this article, we will delve into the world of fiber optic cables, exploring their composition, benefits, and potential vulnerabilities. This core is delicate and requires protection, which is provided by the cladding and an outer jacket. Fiber optic cables are renowned for transmitting data at light speed, but their physical strength is often underestimated. They are highly resilient when designed and installed correctly, yet vulnerable to damage if handled improperly or exposed to poor environmental conditions.



How fragile are optical cables



Optical Fiber Myths and Facts

Far from being fragile, optical fiber is durable enough to withstand handling during installation and deployment in harsh environmental conditions in networks all around the world.

The Secret Behind Fiber Optic Cable Strength

Fiber optic cables use flawless glass and pure silica, providing remarkable strength and flexibility. This design allows them to bend without

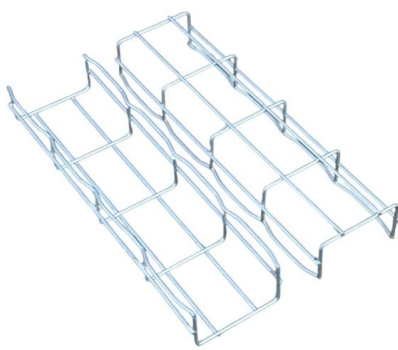


How Fragile Are Fibre Optic Cables?

How fragile are fibre optic cables compared to copper network cabling Fibre optic cables are more sensitive to bending and crushing than copper, but

Fiber Optic Cable Myths , Fragile or Durable? , Inneos

In this blog, we'll bust some myths about fiber optic cables -- they are tough, durable, versatile, and easy to terminate.



The Fragility of Fiber Optic Cables: Separating Fact from Fiction

While fiber optic cables are often perceived as fragile, they are actually quite robust and can withstand a significant amount of stress and strain. However, like any other type of cable, they

Three Fiber Optic Cable Misconceptions

Have you been considering installing a fiber network? Don't let these fiber optic misconceptions keep you from benefiting from these high-speed cables.



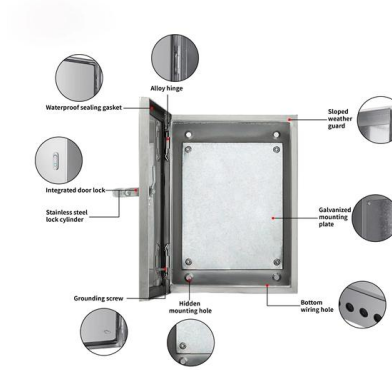
What Damages Fiber-Optic Cables? Key Risks and Mitigation Strategies

Fiber-optic cables are the backbone of modern connectivity--powering 5G networks, global internet backbones, and data center interconnections with near-light-speed data transmission.



5 Fiber Optic Cable Myths Debunked , CableLAN

Myth: Fiber Optic Cables Aren't Durable Fiber optic cable myths are usually borne from small truths. One of which is, yes, fiber optic cables contain



Debunking the Top 5 Fiber Optic Myths

Learn the truth behind common myths about fiber optics. Get facts on durability, installation, bandwidth, and cost to make informed decisions.

Fiber Optic Cables: How Fragile Are They Really?

Like any cable, fiber optic cables are susceptible to certain types of damage, but understanding these vulnerabilities helps us appreciate their overall resilience.



How fragile is Fibre optic cable? - ADL Magazine

also, Are fiber cables delicate? Fiber optic cable has typically been categorized as fragile, like glass, which the actual fiber is, of course. The impurities absorb as much as 1,000 times more light than

How easy does fiber optic break?



Fiber optic cables are an essential component of modern communication infrastructure, providing high-speed data transmission over long distances. These cables are made of thin strands of glass or

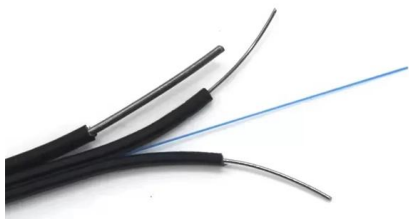


Debunking the Top 5 Fiber Optic Myths

Myth #5: Fiber Optics Are Fragile in Harsh Environments and Can't Withstand Industrial Conditions The Reality: From oil rigs to factory floors, fibre optics have

Misconceptions About Fiber Optic Cables

Fiber optic cable has evolved since its introduction, yet myths about it persist. Here are some common misconceptions about fiber optic cable.



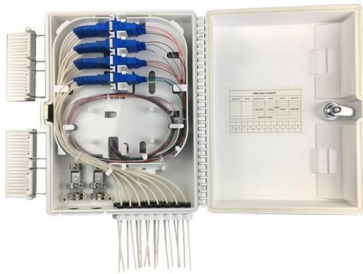
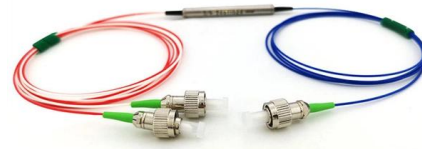
How fragile is fibre optic? : r/HomeNetworking

How fragile is fibre optic? Unsolved So i have fibre optic in my flat, but the router is on the opposite end of the apartment than computer and wifi is slow. So i've been thinking of routing an ethernet cable



How Durable Is Fiber Optic Cable & Can It Be Repaired?

Fiber optic internet is pretty tough, but can you count on it to last? Learn how durable fiber optic cable is & what you can do to fix broken cables here.

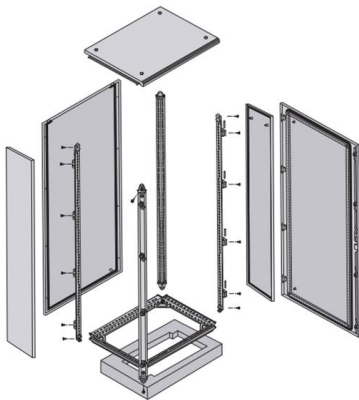


How Strong Is Fiber Optic Cable? Durability, Stress

Introduction Fiber optic cables are renowned for transmitting data at light speed, but their physical strength is often underestimated. While the glass

How Fragile is Fiber Optic Cable?

This article delves into the fragility of fiber optic cables, examining how they are constructed, the factors that influence their durability, and the innovations aimed at making them



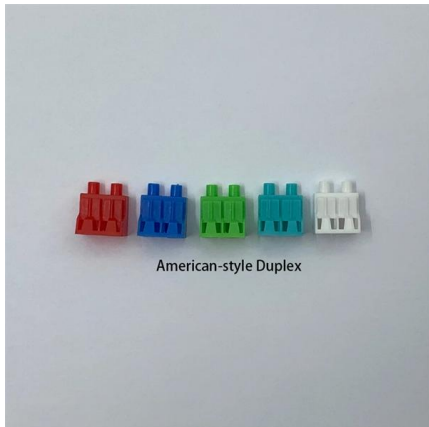
Fiber Optic Cable Myths , Fragile or Durable? , Inneos

Fiber optic cables are designed to withstand different pull strengths based on their type and intended application. For example, plenum pull strength

Optical Fiber Cable Design & Reliability



Cablers have very little influence on the majority of causes of cable field failures. While a small percentage, we can examine the "intrinsic" cable failures and what is done to prevent them. Does the



How Fragile Are Fibre Optic Cables?

The short answer is that fibre optic cables are both strong and delicate. They are highly resilient when designed and installed correctly, yet

Caring for fibre optic cables -- damaged is worse than

Figure 1 -- Fibre optic cable construction. Fibre breakage The glass core in a fibre optic cable is fragile. It is slightly thicker than a human hair but



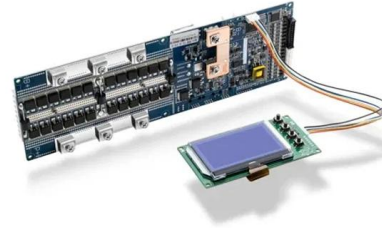
How Strong Is Fiber Optic Cable? Durability, Stress

While the glass fibers inside are fragile, modern fiber cables are engineered to withstand crushing forces, extreme temperatures, and even rodent



How Text Structure Develops the Author's Ideas

How does paragraph 2 CONTRIBUTE to the development of the author's ideas? It explains the construction of a single cable, which lets the reader understand why cables are both strong and



Are the fibre-optic cables used in home networks usually

I got a fibre-optic connection from a ISP just 2 months ago. Today, I noticed that it has already been bent at a steep angle near the fibre distribution box--leaving a

Debunking Common Myths About Fiber Optic Cables

Fiber optic cables have been hailed as the future of internet connectivity, and with good reason. They provide faster, more reliable internet



Optical Fibre Cable

Fragility: Optical fiber cables are more fragile than copper lines, so it's important to make sure they don't get twisted or bent too much.
Distance: Repeaters are required to strengthen the



Are Optical Audio Cables Fragile? A Closer Look at Their Durability

Optical audio cables have become increasingly popular in home theater systems and professional audio setups due to their ability to transmit high-quality audio signals without any loss or



Top 6 Advantages and Disadvantages of Fiber Optic

Explore the top 6 advantages and disadvantages of fiber optic cable over copper, such as increased bandwidth, low attenuation, immunity to

Contact Us

For datasheets, pricing, or custom high-speed optical interconnect solutions, please visit:
<https://www.syropy.com.pl>