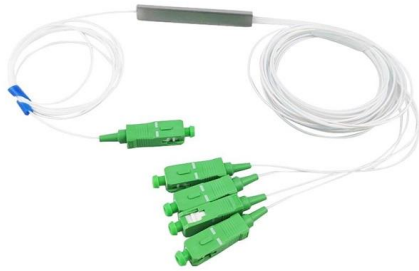


How are Hungarian U-shaped cable trays





How are Hungarian U-shaped cable trays

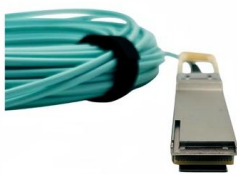


Cable Tray Types and Sizes

The channel cable tray features a simple, U-shaped or channel-like structure that provides a compact and straightforward solution for supporting electrical cables.

Cable Tray vs. Wireway: Which Offers the Best Cable Protection?

Although both cable tray and wireway perform the same function, there are significant differences between the two that are



Cable Tray Types and Sizes

Explore various cable tray types and sizes for electrical installations. Learn about ladder, perforated, solid-bottom, wire mesh, and channel trays in this complete

U shape cable tray bracket

Types of U Shape Cable Tray Bracket The supported varieties of the U shape cable tray bracket include as below: U Shape Mounting Bracket This cable bracket supports the tray to wires; hence, providing



Types of Cable Trays: Benefits and Uses

Different types of cable trays offer key benefits, optimizing cable management and enhancing efficiency in electrical systems.

Cable Trays: How to Choose the Right Type for Your

Conclusion Cable trays are an essential component of any cable management system, providing support, protection, and organization for cables.



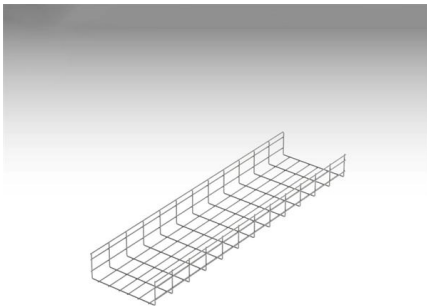
U-channels

The U-channels. These cable trays from LANZ are made of robust steel, with rounded shapes and with halogen-free polyethylene coating IEC 60754-1 / EN 50267-2-1 compliant (RAL 7035), or stainless



Electrical Cable Tray In Hungary

Our team of experts incorporates the latest advancements in cable tray design to provide optimal cable support, heat dissipation, and ease of installation. All our electrical cable trays comply with the



Grid Cable for marine and offshore applications

Types of Cable Trays: Ladder, Perforated, Basket, Solid

These trays ensure maximum airflow around the cables, promoting effective ventilation and heat dissipation to keep cable temperatures within safe

Cable Tray Types & Installation Guide , Enagalxy

Learn cable tray types, uses, and installation basics to support safe, efficient electrical and water supply pipe systems in your project.



What is Cable Tray and How it is used in Industrial

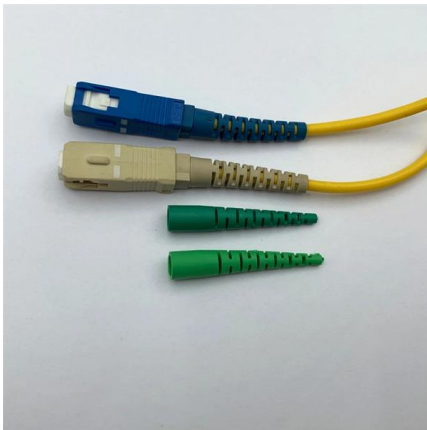
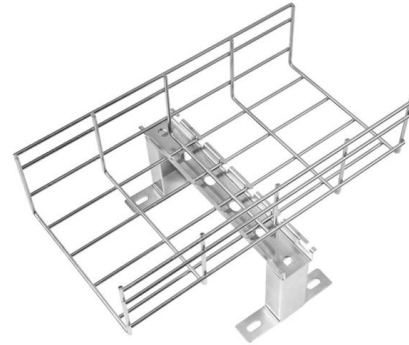
This cable tray is made up of stainless steel wires by welding wires to form the basket-shaped mesh. Cable Trays are normally used for low-voltage





U-Shaped Cable Tray

About U-Shaped Cable Tray Established in 2008 with full enthusiasm, we have been betrothed in providing optimum quality U-Shaped Cable Tray. This cable tray is widely used in residential,

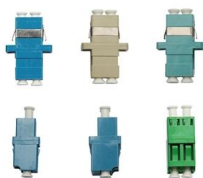


Galvanized Iron U Shape Perforated Cable Trays

U Shape Perforated Cable Trays are made of two longitudinal side rails connected by individual rungs (cross-members), forming a ladder-like structure. When hot

What are Cable Trays? Everything you need to know

Discover everything about cable trays in industrial settings: types, benefits, installation tips, and compliance with NEC and fire resistance standards.



Cable Trays In Hungary

Our perforated cable trays are more than just physical support systems for your cables. They promote air circulation, preventing overheating and ensuring optimal cable performance.



U-shaped steel cable tray features

U-shaped steel cable tray is the most widely used steel cable tray in China, which is common indoors and outdoors, and has excellent load bearing capacity, which is suitable for large



Cable Tray Specifications and Sizes , PDF

The document describes specifications for different types of cable trays, including outside returned flanged cable trays in various standard sizes, light duty and

Cable Tray , Efficient & Organised Cable Management

Trough trays have upside-down U-shaped channels, perfect for supporting large numbers of small cables. Lastly, channel trays have a C-shaped cross-section and are designed to support single



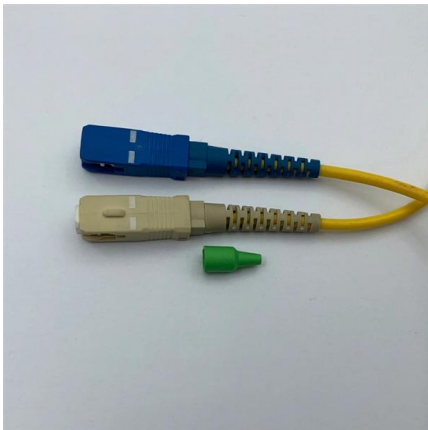
Cable Tray Manufacturers In Hungary, Electrical Cable Tray Suppliers

Keep your cables safe and organized with our high-quality cable trays. Cable Trays are important for ensuring the protection of the wiring system and supporting insulated electric cables used for



U-Shaped Plastic Cable Tray

Explore our durable U-Shaped Plastic Cable Tray, designed for effective cable protection in various environments. Features include fire resistance, UV resistance, and easy tool-free installation.

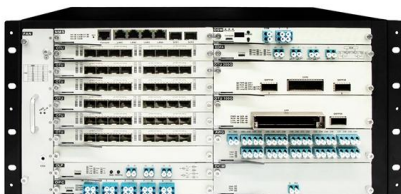
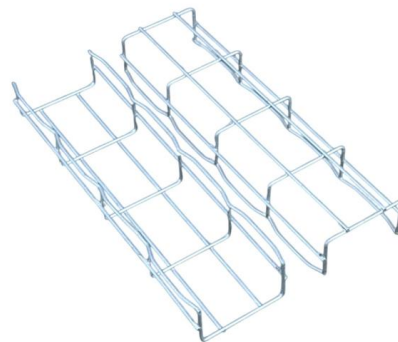


Cable Tray In Hungary

We offer Cable Tray in Hungary in different specifications at competitive market prices. Our range is customized and passes stringent quality tests, before reaching the market.

Cable Trays , AVIUS.hu

GRP Cable Trays are used in highly corrosive environments. Completely metal free solutions can also be offered on request. GRP is transparent to electromagnetic



U-channels

U-channels are ideal installation channels when small quantities of cables need to be installed solidly, quickly and inexpensively without screws. They are made of halogen-free polyethylene-coated steel,



U Shaped Steel Cable Runway Tray Cable Ladder

As one of the leading u shaped steel cable runway tray cable ladder manufacturers and suppliers in China, we warmly welcome you to wholesale bulk cheap u

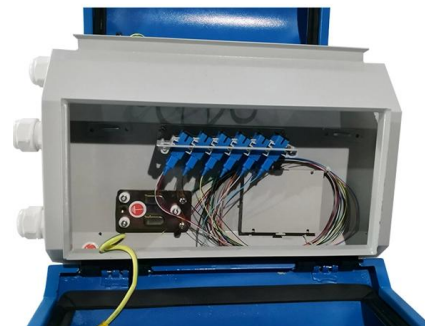


Types of Cable Trays: Ladder, Perforated, Basket, Solid

Cable trays support insulated electrical cables in industrial and commercial settings. There are several types of cable trays, including ladder,

Types of Cable Trays and Their Applications

These trays are ideal for light cable loads and are commonly used for telecommunication, fiber optic, and low-voltage power cables in commercial



G Mesh Cable Tray, U-shaped , PohlCon - Partner from start to future.

The PUK G U-shaped mesh cable trays can be used for neat and tidy cable routing. Cables and lines can be fed in and out at any time and anywhere thanks to the mesh structure. Mesh



What are Cable Trays & Different Types of Cable Trays

Learn what cable trays are & explore the various types, benefits, and purposes. Gain insights into how electrical cable trays can revolutionize your

SUPPORTS DIN RAIL INSTALLATION



Cable Trays and Their Uses: Definition, Types, and

Learn about cable trays for desks, accessories, and how they compare with raceways, conduits, and trunking for efficient cable management.



Contact Us

For datasheets, pricing, or custom high-speed optical interconnect solutions, please visit:
<https://www.syropy.com.pl>