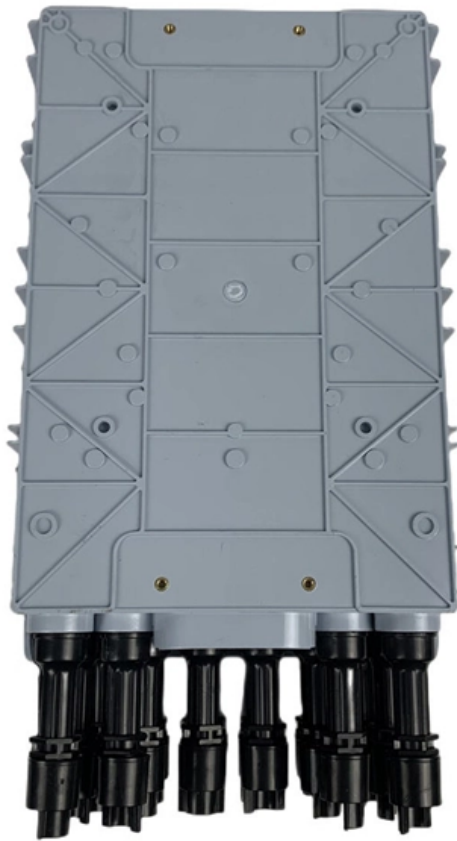


Hot aisle and cold aisle 2U manufacturers





Hot aisle and cold aisle 2U manufacturers



Netrack , Server Enclosures , Network Enclosures , Server Racks

Netrack , Server Enclosures , Network Enclosures , Server Racks

Aisle Containment

Our aisle containment systems are vendor agnostic, featuring innovative, transparent panels that are lightweight and easily attached horizontally or vertically to



Aisle Containment , Modular Cleanroom & Data Center Containment

Enhance airflow control and energy efficiency in data centers, laboratories, and cleanroom environments with Armstrong Aisle Containment Ceilings & Walls. Our modular systems

CONTAINMENT SYSTEM

Cold Aisle drop away ceiling panels (clear or opaque) Class A rated, CA State Fire Marshal, UL & FM Global listed and approved Hot aisle to plenum light-weight cabinet supported vertical panels speed



What are hot and cold aisles in the data center?

Using hot and cold aisles in a data center is part of an energy-efficient layout for server racks and other computing equipment. Find out more here.

Hot Cold Aisle Containment

Data Center Resources is the manufacturer of Cool Shield hot cold aisle containment systems. Learn about preferred solutions and get your quote today!



Hot and Cold Aisle Containment Solution , Legrand

Aisle Containment Solutions Why is Containment Important? Effective aisle containment is critical to maintaining peak data center cooling efficiency. By



Acceleation , Custom data center containment systems

Vertically integrated manufacturer of hot aisle containment, cold aisle containment, white space structure and conveyance solutions.



Hot Aisle vs. Cold Aisle Containment for Data Centers

Do you know the difference between hot and cold aisle containment systems? We will break it down for you.



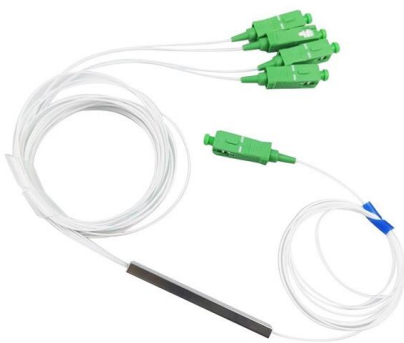
Aisle Containment , Modular Cleanroom & Data Center Containment

Depending on your facility's layout, Armstrong Aisle Containment Solutions offer both Hot Aisle Containment (HAC) and Cold Aisle Containment (CAC) systems to suit new builds or retrofit



Hot and Cold Aisle Containment Solutions Ardmac

Get expert hot and cold aisle containment solutions for your data centres with Ardmac. Our tailored approach maximises efficiency.





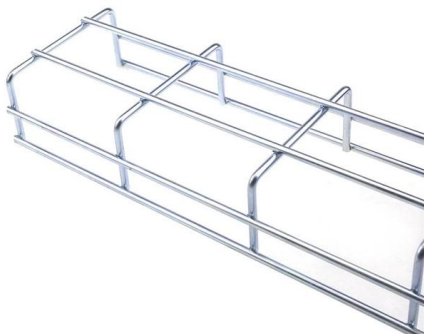
Aisle Containment Solutions , Maysteel Industries

Custom engineered hot and cold aisle containment solutions that keep your data center running smoothly -- and make your build-out be more efficient, too.



Cold Aisle Containment Manufacturer

Cold aisle containment (CAC) above all promotes energy efficiency in the data center. It is most important to first identify hot spots in server rows.



Focus creates quality products



Hot Aisle Containment , Legrand

By channeling hot exhaust away from equipment and toward cooling, data centers can maintain a stable operating temperature and reduce operational costs. Benefits: Increased Energy Efficiency: By



Hot Aisle Containment Manufactures , Cold Aisle

Hot aisle containment, and cold aisles ensure airflow management and increase air conditioner capacity. For an efficiently working data centre, it is essential to have an airflow management system, and our



Hot/Cold Aisle Containment System

Our Hot/Cold Aisle Containment Systems are designed to reduce energy costs, improve airflow, and maximize cooling efficiency.



Data Center Temperature: Hot And Cold Aisle Containment

Hot and cold aisle containment systems are crucial for data center temperature. Click to learn about airflow, cooling efficiency, and thermal

Custom Hot Aisle Containment Manufacturers, OEM Suppliers

Yuyao Sunpln Communication Equipment Co.,Ltd is China custom hot aisle containment manufacturers and OEM/ODM hot aisle



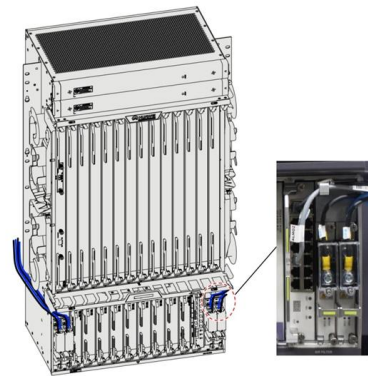
Aisle Containment , Vertiv Hot/Cold Aisle Containment

Find out how to improve your data center infrastructure efficiency, using the cold aisle containment or hot aisle containment solutions from Vertiv.



ADVANCED AISLE Containment System

High energy costs and accelerated energy consumption has forced data center managers to implement strategies to achieve separation between the hot and cold air in the data center.



Aisle Containment , Vertiv Hot/Cold Aisle Containment

Adaptable to hot and cold aisle containment, the Vertiv Aisle Containment system allows you to deploy containment before or after racks are installed to simplify



[Data Clean] Hot Aisle Brochure

Hot/Cold Aisle Containment Solution Data Clean Asia is your choice for world-class mission critical solutions Data Clean Asia has been the leading manufacturer of hot aisle containment solutions for



Aisle Containment Systems for Hot & Cold Aisle Solutions

The goal of a hot or cold aisle configuration is to conserve energy and lower cooling costs by managing air flow. Designing the proper containment system requires



Tate Cold Aisle Containment System

Designed to your specification, it can be custom configured to fit any white space layout, enabling a precise fit and streamlined installation. With a choice of single



Contact Us

For datasheets, pricing, or custom high-speed optical interconnect solutions, please visit:

<https://www.syropy.com.pl>