

High-density fiber optic spiral tubing IP68 in stock





High-density fiber optic spiral tubing IP68 in stock



Indoor/Outdoor Fiber Optic Cable

Experience seamless, rapid installations with our versatile indoor/outdoor ribbon fiber cable. Ideal for high-density data centers, colocation facilities and vertical

Products

Products Flexible Metal Conduits Square-Lock Casing Type-A Casing Tube (KS) General-purpose, standard stock. This conduit is lightweight, pliable, non-stretch,



Rollable Ribbon High Density Optical Fiber Cable -

Space saving: High density optical fiber cables provide maximum capacity in limited space. Lightera has achieved the world's first installation of the 6912F cable into a

Cable

Flame-retardant (FR) RI Wrapping Tube Cable (WTC) with SpiderWeb Ribbon (SWR) is a high-density fiber optic ribbon cable intended for inside plant where



50KW modular power converter



Fiber Optic Cabling

Fiber optic data transmission is now a primary method of communication, and fiber optics technologies have expanded to include exterior deployments over long distances. To survive a wide range of

HDPE Innerduct - Innerduct

GENERAL INFORMATION Our tonable conduit is made from high-density polyethylene (HDPE) resin per ASTM D3350 combined with a locatable 16-AWG



MPO Breakout Spiral Steel Tube Armored Fiber Optic

MPO Breakout Spiral Steel Tube Armored Cable ensures high-density, secure fiber connections with superior protection for data center applications.





Fiber Optic Ducts Pipe

PalaDuct prime are pipes made of HDPE, with internal grooves for low friction, suitable for air - blown fiber optic cables. They are waterproof and suitable for

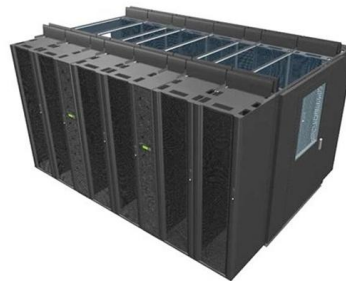


Fiber Optic Indoor/Outdoor Cables

Our indoor/outdoor cables meet rigorous outdoor environments and can be routed indoors where flame rating applies, eliminating transition splices.

Silicone Spiral Wrap Tube

Spiral tubing made from silicone commonly used for bundling fiber optic cables, and protection of fiber optic cables. Color: Various Available. Please view the



High Density

Discover AFL EMEA's high-density fiber optic cables, including MicroCore® and Wrapping Tube solutions, designed for superior performance and space efficiency in data centers, telecom, and



3/8" Heat shrink Shrinks to .588" 2:1 heat shrink tube are UL and CSA certified, RoHS compliant, free of formaldehyde (HCHO), heavy metals and other harmful substances.



Spiral Wraps, Sleeves, Tubing & Conduit - Mouser Europe

Mouser offers inventory, pricing, & datasheets for Spiral Wraps, Sleeves, Tubing & Conduit.

Spiral Tubing , Shrink and Non-Shrink , Electrolock

Electrolock offers spiral tubing for many applications. Our spiral wound tube solutions use polyester, polyimide, aramids, fiberglass & more.



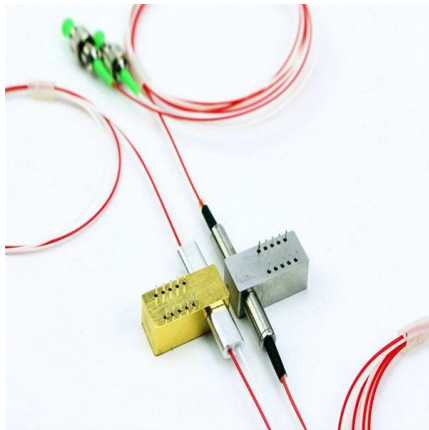
HFCL

Offering loose tube (2F - 432F) and ribbon (96F - 1152F) constructions, our cables are both rodent-proof and UV resistant, adapting to varying



Premier Producer of Fiber in Metal Tubes o NBG Fiber Optics

Innovative, reliable and sustainable Fiber in Metal Tubes. We support the industry with high-quality fiber optic products. Worldwide Customers.



Eventronic 4:1 Heat Shrink Tube Set with Adhesive, IP68 Heat

Eventronic 4:1 Heat Shrink Tube Set with Adhesive, IP68 Heat Shrink Tube, Waterproof, 196 Pieces Double Wall, for Electrical Insulation and Cable Connectors, High Load Capacity, Black, Never

Looking for fiberglass tubes? Nowhere cheaper , Maunt

For a reliable fiber optic network, choosing high-quality fiber optic tubing is critical. At Maunt, we only supply top quality fiberglass tubes, designed to withstand the harshest conditions for years to come.



Silicone Spiral Wrap

Silicone spiral wrap can be used to protect SpiderWeb Ribbon® bundles (up to 288f) as well as up to 12 standard ribbons. The silicone spiral wrap can protect expressed fiber slack in various applications



For protecting optical fiber cable ?2mm



HWPE2 (161

Unlike spiral tubes, the Helawrap cable cover need not be wound around wires/cables, whereby significantly contributing to reducing the work process. It is

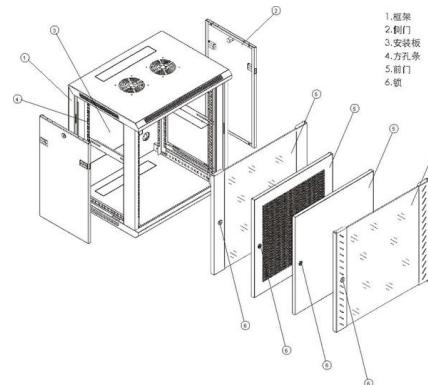


Furcation Tubing

AFL Furcation tubing offerings reflect the high performance and quality standards present throughout AFL's complete cordage line. Multiple inner tube materials

Indoor/Outdoor Spiral steel tube LSOH fiber cable

Cable containing up to 6 optical fibers in spiral stainless steel tube, optical fibers reinforced with water blocking aramid yarns and sheathed in a flame retardant



Mesh door/glass door optional



Sp-601 glass door

Sp-602 mesh door

Spiral Tubing , McMaster-Carr

Choose from our selection of spiral tubing, including spiral sleeving, chemical-resistant spiral sleeving, and more. Same and Next Day Delivery.

High density fiber optic cable offering wrapping tube ribbon, OSP and



Wrapping Tube Cable Wrapping Tube Cable (WTC) with SpiderWeb Ribbon® (SWR®) is an ultra-high density outside plant cable designed specifically for Fiber-to-the-Home (FTTH), access markets and



Spiral Steel Tube Armored Tactical Fiber Optic Cable 2 4 6 8 Cores

The spiral steel tube armor provides tactical fiber cable extra protection for field operations and complex environments. Preterminated cable available.

spiral coated adhesive heat shrink tubing for fiber optic 65mm

Other recommendations for your business High-Quality Insulation: Our spiral coated adhesive heat shrink tubing for fiber optic 65mm provides excellent insulation and protection for fiber optic cables,



Fiber Optic Spiral Coated Tubing

ZH-GCH Series is a spiral coated adhesive heat shrink tubing specially designed for fiber optic splice boxes. Made of cross-linked polyolefin with PA/EVA hot melt



OSP MicroCore High density fiber optic cable.

Discover AFL's OSP MicroCore® fiber optic cables, designed for high-density applications. These compact cables can be blown into crowded ducts, expanding existing infrastructure capacity for cost



Multi-fiber Spiral Armored Fiber Optic Cable

Purchase high-quality fiber optic cables armored outdoor from Weunion, a leading manufacturer in China. Enjoy low prices when you buy Fiber Optic Cable directly

PTFE Spiral Wrap , Teflon Spiral Cut Tubing , PTFE

PTFE Spiral Wrap tubing is an expandable wrap that offers abrasion protection for wires, cables, hoses and tubing. Teflon Spiral Wrap Tubing allows for the highest



Contact Us

For datasheets, pricing, or custom high-speed optical interconnect solutions, please visit:
<https://www.syropy.com.pl>