

# **Heilongjiang University Fiber Optic Communication**





## Heilongjiang University Fiber Optic Communication

---



### Heilongjiang University

Heilongjiang University Heilongjiang University (abbreviated as HLJU) is one of the key comprehensive universities in Heilongjiang

### Jiping Liu , Heilongjiang University , 5 Publications , 20 Citations

Jiping Liu is an academic researcher from Heilongjiang University. The author has contributed to research in topics: Single-mode optical fiber & Fiber optic sensor. The author has an h-index of 2, co



### About Heilongjiang University apply online,admisison,Heilongjiang

It is an ideal place to learn Mandarin Chinese. Heilongjiang University is a key comprehensive university offering a wide range of disciplines including liberal arts, sciences, foreign languages, engineering,



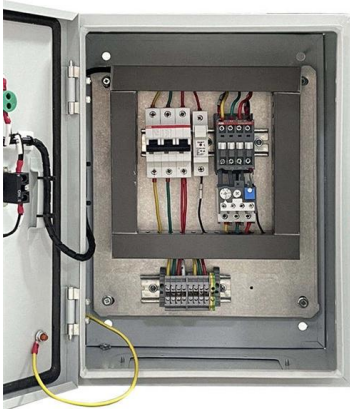
### Fiber Optic Communication

Over the last five decades fiber optic communication has been the most important means of human communication. In the coming decades it will



### **Youlong Yu**

In the early days, Engaged in the research field of photorefractive nonlinear optics and optical information processing. Since 1995, the research interest has mainly focused on the fields of



### **Xianjin LIU , Heilongjiang University, Harbin**

Low Refractive-Index and Temperature Crosstalk Fiber-Optic Liquid Level Sensor Based on Cascaded Quasi-Microfiber and Double-Cladding Fiber Structure



### **Heilongjiang University(a public university in Heilongjiang Province**

Heilongjiang University (Heilongjiang University, ?????????????? ??????????????), abbreviated as HLJU (HLJU, ?????), is located in Harbin City, Heilongjiang Province . It is a provincial comprehensive



**Jing KANG , Heilongjiang University, Harbin , Electronic**

In this paper, a novel micro-cavity based Mach-Zehnder interferometer is proposed by joint-assistance of microfiber and multimode fiber (MMF). The light field



**Heilongjiang Institute of Technology\_Heilongjiang\_China college**

Heilongjiang Institute of Technology is located in Harbin, a famous city in the North with beautiful scenery. The school was founded in 1952, and its predecessor was Heilongjiang Communications

**Transforming Universities with Fiber-based Networking**

The adoption of optical networking and, specifically, Passive Optical LAN (POL) is a key enabler for universities, providing a reliable, secure, and sustainable



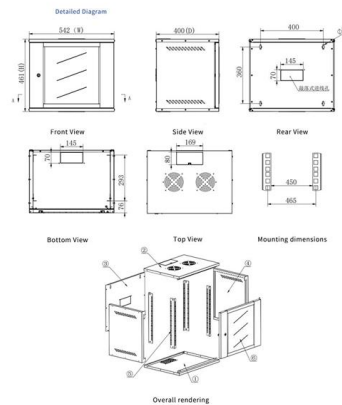
**Heilongjiang University in China**

Heilongjiang University is ranked #1337 in Best Global Universities. Schools are ranked according to their performance across a set of widely accepted indicators of excellence.



## Ying Guo's research works , Heilongjiang University, Harbin and other

This article presents a new composite structure for highly sensitive measurement of mechanical properties, consisting of an S-shaped tapered multimode fiber (STM) and a grapefruit core

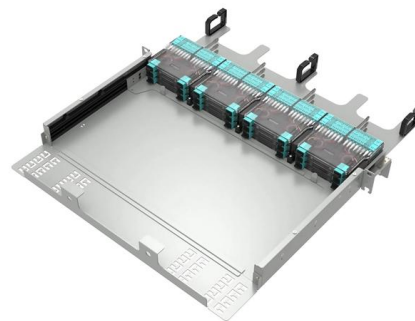


## Jintao Zhang , IEEE Xplore Author Details

In 2005, he joined Heilongjiang University, where in 2014 he became an Assistant Professor in the Physics Department. His research interests include the fiber laser, fiber-optic sensor, and optical

## Heilongjiang University Admission Guide

Heilongjiang University A Key University in China  
Heilongjiang University is a comprehensive university located in the Harbin, China. Harbin is



## Reaching the pinnacle of high-capacity optical transmission using a

Here, the authors demonstrate petabit/s transmission in a standard-sized 19-core multi-core fiber, while minimizing the required digital signal processing complexity.





**Communication Engineering apply online,admisions,Heilongjiang University**

study in china,Communication Engineering,No service fee for applying



**Jiping Liu , Heilongjiang University , 5 Publications , 20 Citations**

Jiping Liu is an academic researcher from Heilongjiang University. The author has contributed to research in topics: Single-mode optical fiber & Fiber optic sensor.



**Heilongjiang International Uni , Huawei Enterprise**

Heilongjiang International University Builds a Green Campus Network with Simplified Architecture and Optical-Electrical PoE It quickly became clear to HIU that its existing campus network couldn't cope



Equipped with a removable **Mounting Plate** inside the enclosure, enabling customized drilling and secure component mounting.

**Fiber-optic communication**

Recent advances in fiber and optical communications technology have reduced signal degradation to the point that regeneration of the optical signal is only





## College of Physics and Optoelectronic Engineering-Harbin

College of Physics and Optoelectronic Engineering was developed from the Physics Professors Association established in 1953. After the Basic Department, the Physics Department and the



## Heilongjiang International Uni , Huawei Enterprise

Heilongjiang International University Builds a Green Campus Network with Simplified Architecture and Optical-Electrical PoE It quickly became clear to HIU that its

## Heilongjiang University

Heilongjiang University (HLJU), established in 1941 in Harbin, is a provincial key comprehensive university under Heilongjiang Province's "Double First-Class" initiative. It offers 84 undergraduate



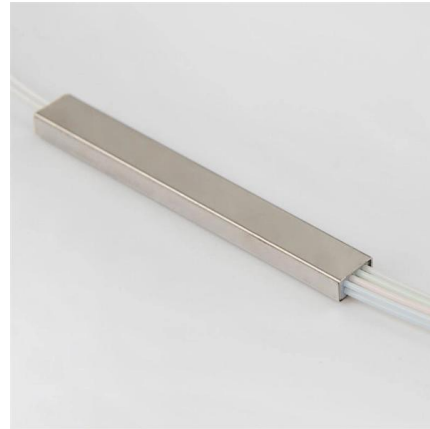
## Fiber U

Fiber U is the free online learning website of the FOA - the Fiber Optic Association, the international professional association and certifying body devoted to the



**Informatics and Communication  
Engineering apply online,admisison**

study in china,Informatics and Communication  
Engineering,No service fee for applying



## Contact Us

---

For datasheets, pricing, or custom high-speed optical interconnect solutions,  
please visit:

<https://www.syropy.com.pl>