

Handheld Light Source Calibration in Finland





Handheld Light Source Calibration in Finland



Order Calibration

Sparklike recommends users to calibrate their device once a year. Just like every other valued equipment, Sparklike devices require maintenance to remain their

Keysight N9952A Fieldfox Handheld Microwave Analyzer Calibration

Professional Keysight N9952A Fieldfox Handheld Microwave Analyzer calibration services, repair, sales and rental.

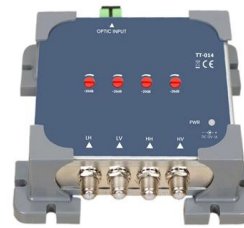


Calibration of Near-Infrared Detectors Using a Wavelength Tunable Light

Abstract This paper presents the spectral responsivity calibrations of two indium gallium arsenide (InGaAs) and one germanium based near-infrared photovoltaic detectors using a wavelength tunable

National Standards Laboratory of Optical Quantities

Photometry focuses on measurement of lights as perceived by humans. The National Standards Laboratory of Aalto has an integrating sphere, 1.65 meters in diameter, for luminous flux and

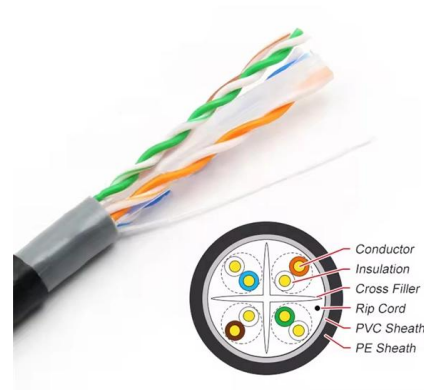


Calibration Services

The only accredited torque calibration service in Finland - regardless of the tool brand or model. Calibrations also performed on-site.

A Comparative Survey of Geometric Light Source Calibration Methods

With this survey paper, we provide a comprehensive overview of geometric light source calibration methods developed in the last two decades and a comparison of those methods with



A handheld polarimetric imaging device and calibration

Article Open access Published: 31 July 2024 A handheld polarimetric imaging device and calibration technique for accurate mapping of terahertz

Calibration services at Metrology Research



The Metrology Research Institute is the Finnish National Standards Laboratory for optical quantities. We offer various radiometric, photometric and spectrophotometric calibrations.



Kalibrointipalvelu , Takaa luotettava mittaustulos

Calibration services for industrial measuring instruments and systems in Finland, the Nordics and the Baltics. Calibrating the measuring devices and knowing the uncertainty in measurement results have



Fluke Corporation: Fluke Electronics, Calibration and Networks

Fluke Corporation is the world leader in the manufacture, distribution and service of industrial engineering electronic test tools, thermal imaging, calibration and networking solutions.



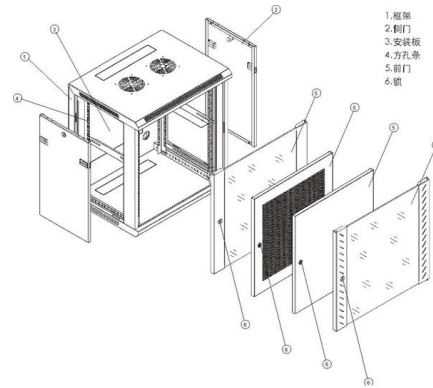
How to Select a Certified Reference Instrument for Light Calibration

Case Study: Choosing the Right Reference Source for UV Calibration In one GMP facility, a team evaluating UV meter calibration opted to use a handheld UV radiometer instead of a certified



Calibration

Our calibration equipment is traced to both national and international quantities. We calibrate, for example, multimeters, oscilloscopes, generators plus installation

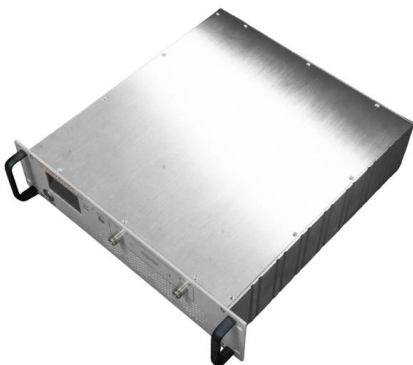


Hehkulab

Find out about our products that are designed to make light measurements easier, faster and more accurate in a cost-effective way.

A Comparative Survey of Geometric Light Source Calibration Methods

Abstract. With this survey paper, we provide a comprehensive overview of geometric light source calibration methods developed in the last two decades and a comparison of those methods with



Calibration

We tailor our service to meet your needs and plan the calibration process on a case-by-case basis. Millog calibrates and services electrical measurement devices

Maintenance and Calibration



When performing the calibration, Sparklike Specialists will test the device operations, take large number of diverse reference measurements and fine tune the readings



Light Measuring Devices & Equipment , Gamma Scientific

Gamma Scientific is your one-stop solution for tunable light sources, calibration light sources, display measurement equipment, light



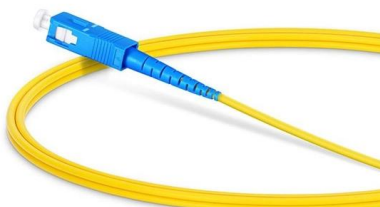
Calibration and Maintenance of Measuring Equipment

Measurement uncertainties are managed through timely and traceable calibration and maintenance of measuring equipment and instruments. A complex field



Hem

Scanditest Finland Oy is a distributor of high-quality Test & Measurement products and solutions in Finland and Estonia. Our office is located in the Vaasa area in





National Standards Laboratory , Aalto University

The National Standards Laboratory of Aalto has an integrating sphere, 1.65 meters in diameter, for luminous flux and luminous efficacy



200k LUX Handheld Light Meter

Buy 200K Lux Handheld Light Meter from HK Calibration. Compact and reliable for precise light measurement in various environments.

Optical light sources

Optical light sources Discover EXFO's broad range of optical light sources that cater to various testing requirements: singlemode or multimode, polarized or non-polarized, broadband or narrowband,



Valostore's VALOLAB

At Valostore's light laboratory, we can accurately determine the characteristics of various auxiliary lights, handheld flashlights, headlamps, work lights, and other light sources. The light laboratory is located



Ircal , Ircal Oy:n toiminta-ajatuksena on tuottaa

Ircal Oy on yksi harvoista kenttäakkreditoituista lämpötila- ja painekalibrointeja tekevistä toimijoista Suomessa. Palveluumme kuuluvat myös mekaanisten



Calibration, test equipment management, qualification & validation

Our accredited laboratories cover almost all measurement parameters and offer you a unique service portfolio - from collection of the test equipment, calibration up to repair. We calibrate your test

Contact Us

For datasheets, pricing, or custom high-speed optical interconnect solutions, please visit:
<https://www.syropy.com.pl>