

Gyta Optical Cable Manufacturer in Northern Europe





Gyta Optical Cable Manufacturer in Northern Europe

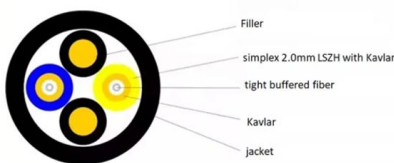
GYTA / GYTS Fiber Optic Cable

For certain GYTA fiber cable or gyts fiber optic cable, a layer of polyethylene (PE) needs to be squeezed outside the metal reinforced core. The loose tube (and



GYTA

We manufacture high quality products according to European and US standards. GYTA is an outdoor stranded loose tube fiber optic cable with aluminum tape

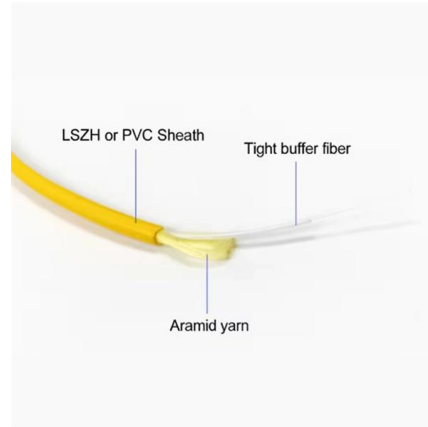


GYTA fiber optic cables

GYTA fiber optic cable is used for duct or aerial fields. These aluminum tape armored cables are suitable for installation for long haul communication and LANs,

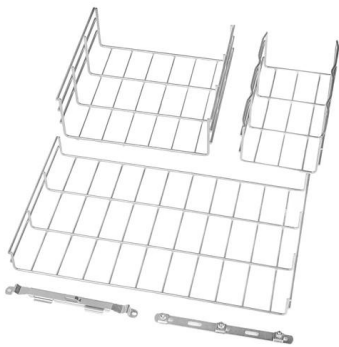
Understanding the Structure of GYTA Fiber Optic Cable

In the rapidly expanding fiber optic industry, GYTA fiber optic cable has become one of the most widely used outdoor cables for telecommunication and broadband network projects. Its



Gyta optical cable characteristics

Gyta optical cables are commonly used in telecommunication networks for long-distance transmission of data signals. They are a type of



GYTA53 Optical Cable , TeleTechno Communications

The optical GYTA53 cable is the armored fiber optic cable of the steel tape for direct burial. The GYTA53 fiber cable consists of a loose tube that twists around the central resistance element.



Gyta optical cable

Gyta optical cables are commonly used in telecommunication networks for long-distance transmission of data signals. They are a type of armored cable that provides protection against harsh





Top 20 Fiber Optical Fiber Cable Suppliers

Several companies across the continent are leading the way in producing high-quality, innovative fiber optic solutions. This article introduces



cloudtop Outdoor Optic Fiber Cable GYTA

We are cloudtop, a specialized manufacturer and supplier of fiber optic cables,

GYTA, GYTA fiber optic cable

GYTA fiber optic cable Features: Careful management of excess fiber length ensures commendable tensile performance and temperature resilience. The PBT loose tube material, offering excellent



GYTA, GYTA fiber optic cable

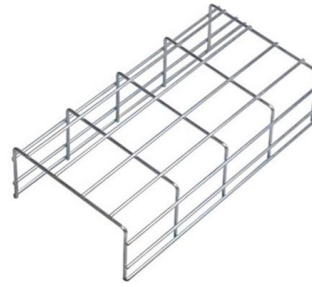
GYTA stands out as an outdoor communication optical fiber cable. Full cross-sectional water-blocking structure with special oil paste filling in the loose tube to ensure good water and moisture barrier





GYTA Fiber Optic Cable

GYTA is with high strength loose tube that is hydrolysis resistant and the optical cable filling materials ensure high reliability, its APL makes the cable crush resistant and moisture proof. The GYTA fiber



10 Best German Fiber Optic Cable Manufacturers

Gcabling, as a professional expert with 15+ years of experience in fibre cable manufacturing industry, has specially listed 10 best German fiber cable

GYTA optical cable

Loosening layer twisted optical cable GYTA (2-576 core) is a type of fiber optic cable that has become increasingly popular due to its high capacity and long-distance transmission capabilities. It is



GYTA Fiber Optic Cable, Optical Fiber Cables GYTA

Fiber optic GYTA outdoor cable is applied to long-distance laying, inner-building connection, distribution and inner-building supporting system ber optic cable GYTA, 2~144 fibers, central strength member



GYTA / GYTS Fiber Optic Cable

If you need any technical support, we will also recommend the most suitable and cost-effective customized ADSS fiber optical cable for you according to the use

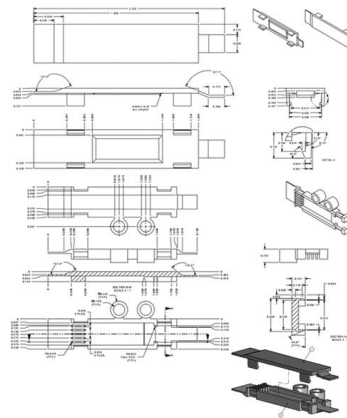


GYTA Optical Cable

GYTA fiber optic cable is applied to long distance positioning, connection of internal building, distribution and supporting system of internal building. A steel wire sometimes sheathed with polyethylene (PE)

Optical Fibres Cables

The multi-functional capabilities of manufacturing fibre optics were paired with special compounds to produce Tratos' low smoke, zero halogen optical cable, a cable of



IOEMA

IOEMA cable system connects five key northern European markets - the UK, The Netherlands, Germany, Denmark and Norway.



Optical Fibres Cables

Tratos is one of the leading fibre optic cable manufacturers in Europe. Tratos has spent 40 years exploring and refining fibre cables for its customers.



GYTA fiber optic cables

GYTA is the stranded loose tube fiber optic cable with compact structure; the cable jacket is made of strong Polyethylene; High strength loose tube that is hydrolysis



Complete Guide to GYTS/GYTA Cables for Seamless Communication

Stranded Loose Tube Light-armored Cable (GYTS/GYTA) is a reliable and high-performance solution for fiber optic communication. These cables provide exceptional connectivity and data transmission in



Fiber Optic Cable Manufacturer , Rayofiber Cable Supplier

Professional fiber optic cable manufacturer supplying GYTA, GYTS, ADSS, armored cables. Wholesale & OEM service with factory price for global clients.



Gyta optical cable

The GYTA optical cable is a type of fiber optic cable that is widely used in telecommunication networks. It is known for its high tensile strength, high



Contact Us

For datasheets, pricing, or custom high-speed optical interconnect solutions, please visit:

<https://www.syropy.com.pl>