

# **Grounding at both ends of the optical cable**





## Overview

---

Follow these steps at each cable entry point and termination location to achieve a compliant, safe ground bond: Identify metallic components. Fiber optic cable transmits data as light through glass or plastic strands, which means the fiber core itself carries no electrical current and requires no grounding. This Applications Engineering Note (AE Note) discusses conventional bonding and grounding practices for conductive fiber optic cable and hardware installations within the scope of the National Electrical Code (NEC). Proper grounding methods can significantly improve the stability and safety of fiber optic cable systems. Interlocking armor is an aluminum armor that is helically wrapped around the cable and found in indoor and indoor/outdoor cables.



## Grounding at both ends of the optical cable

---



### **cable shielding -**

When a cable is shielded, is one to connect either (which?) end to ground or both? Seemingly there are proponents for either. It has been stated that connecting the shield to ground

### **Fundamentals of shielding and grounding technology for**

Shielding and grounding are essential strategies for managing interference and protecting electrical cables. Generally, cables fall into two broad categories:



### **Correct method of grounding optical cable**

Choose a suitable grounding point: The optical cable should be grounded as close to the equipment end and/or where the optical cable enters the building as possible.



### **News**

5. The guiding optical cable led from the connecting box on the rack to the buried part of the cable trench is protected by hot-dip galvanized steel pipes,



### Considerations for Grounding Shielded Cables , Solution & Analysis

Explore key considerations when grounding shielded cables, including noise immunity, ground loop prevention, signal integrity, and EMC. Learn about single-ended and double-ended

### Grounding pre-terminated armored fiber optic cable.

Grounding pre-terminated armored fiber optic cable. Hello all, I had created a post a few days ago asking if armored fiber optic cable needed to be grounded. The majority of users responded saying



### Correct method of grounding optical cable

Discover the details of Correct method of grounding optical cable at Dongguan HX Fiber Technology Co., Ltd, a leading supplier in China for Outdoor Armored Fiber Optic Cable and Indoor



### **Watch: Ukraine front-line city blanketed in web of drone**

A Ukrainian front-line city has been smothered by a giant web of fibre optic cable from hundreds of drone battles in the skies.

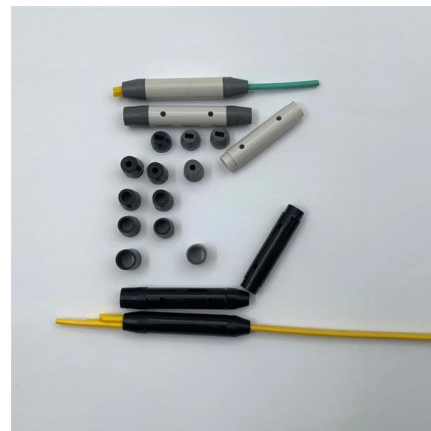


### **Shielded Cable Grounding Best Practices: What**

Shielded cable grounding is not just a technical detail--it's the difference between a high-performance network and one vulnerable to downtime.

### **Product Insights: Where to Ground Cable Shields**

When developing electrical or electronic products that use shielded cables, a common question arises: Where should cable shields be grounded? At



### **Best practices for bonding and grounding armored fiber**

Installing armored fiber-optic cable has several benefits, but one inconvenience is the need to bond and ground the cable. This inconvenience can



## Why ground fiber-optic cable , Cabling Installation & Maintenance

So many communications cabling workers do not see the necessity of grounding fiber-optic cable, but codes on both sides of the U.S./Canada border agree that any cable containing metal must be



### Terminate shielding at one or both ends? : r/AskElectronics

I watched a video recently that said that shielded cable shielding should be terminated on one end only. People in the comments disagreed and after googling some sources said it should be terminated on

## Indoor Fiber Optic Bonding & Grounding

Bonding and grounding is required for the safe and effective dissipation of unwanted electrical current that may arise in a telecommunications system. Bonding and grounding promotes



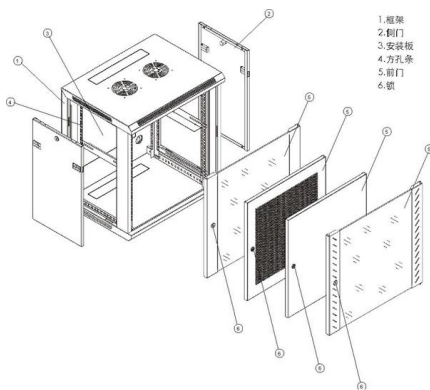
### How to Ground a Fiber Optic Cable: A Complete Safety Guide

Learn how to properly ground fiber optic cable installations, including when grounding is required, metal components to ground, and step-by-step best practices.



## Grounding Shield of Signal Cables During Wiring Inspection

Determine Shielding Scheme Single-point (unilateral) grounding: The shield is grounded at only one end (typically the source or control panel end). This is common in low-frequency analog

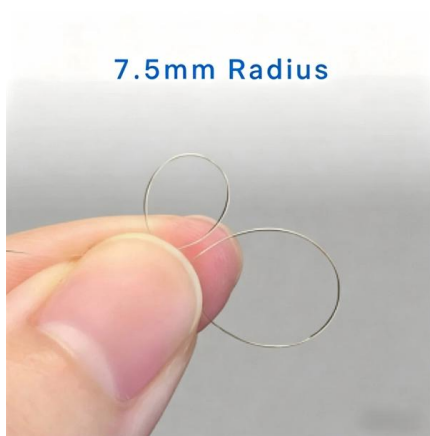


## 24 Cores ADSS Fiber Optic Cable Price & Datasheet

24 Cores ADSS Fiber Optic Cable ADSS optic cable adopts loose tube layer stranded structure, and the loose tube is filled with water blocking compound.

## Best practices for bonding and grounding armored fiber

Bonding and grounding of armored fiber-optic cable are simple steps in the installation process that are often misunderstood or overlooked. The National



## Grounding or No Grounding - What's Required for Fiber?

In installations where an optical fiber cable is exposed to contact with electric light or power conductors and the cable enters the building, the non-current-carrying metallic members shall

## Two Sided Earthing Versus one Sided Earthing for Ethernet Cables



This is often caused by a third party, i.e., the equipment provider, who imposes other conditions, i.e. applying a single point earth for eliminating and reducing ground loops in the shielded cable.

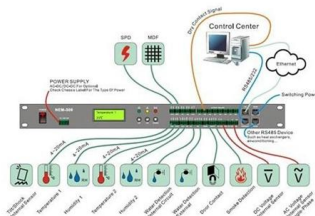


### Should a Shielded Cable Be Grounded at Both Ends for Optimal

The discussion revolves around the optimal termination and grounding of shielded cables, particularly focusing on whether to ground both ends or just one. Participants explore the implications

### Shielded Cable Grounding Best Practices: What

Learn the best practices for shielded cable grounding. Discover proper techniques, common mistakes to avoid, and key tips installers need to ensure



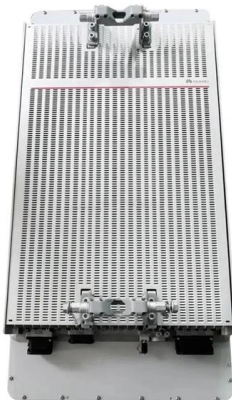
### Understand grounding and Bonding Requirements

Proper grounding and bonding are absolutely critical for the safety and integrity of any fiber optic cable installation, especially for cables containing metallic components.

### Do I ground and if so, how?



I would suggest that grounding a fibre sheath at all is a questionably bad idea, and grounding it at both ends is a terrible idea. The OP states he's using single mode fibre, which

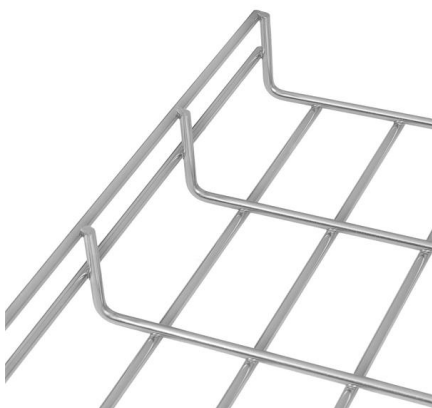


### **How does optical ground wire provide both grounding**

Optical Ground Wire (OPGW) stands out as a revolutionary solution in power transmission systems, seamlessly integrating grounding and

### **Cable Grounding Methods , Prysmian**

The method of grounding from both ends, also known as "two-point bonding," is one of the most common and straightforward grounding techniques. It is also the most



### **Grounding Cat6 Shielded Cables: Ensuring Safety and**

Properly grounding Cat6 shielded cables ensures network stability and safety. Effective grounding enhances signal integrity, prevents data loss, and



A cable shield should always connect at both ends to the local chassis. If you see any improvement from disconnecting one end, then you like abuse the shield as some kind of low



### **Bonding and Grounding Armored Fiber Cable**

Armored fiber-optic cable bonding and grounding are simple phases in the installation process but are sometimes misunderstood or omitted. To

## **Contact Us**

---

For datasheets, pricing, or custom high-speed optical interconnect solutions, please visit:  
<https://www.syropy.com.pl>