

Greek OEM Optical Hybrid Cable 800G





Greek OEM Optical Hybrid Cable 800G

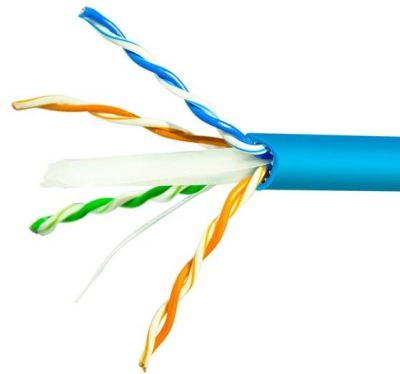


800G OSFP AOC cable

The 800G AOC is a OSFP to OSFP active optical cable for short-range datacommunication and interconnect applications. Each AOC has 8 duplex channels with 850Gbit/s aggregate bandwidth.

Hybrid Cables

CommScope bundles hybrid cabling to your custom specifications, using our high-performance fiber-optic, unshielded twisted pair and coaxial cables.



3m (10ft) 800G OSFP Active Direct Attach Copper

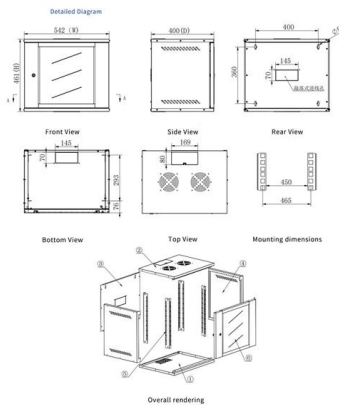
Brief Introduction The Vchung 800G OSFP Active Direct Attach Copper Twinax Cable is designed for use in 800G Ethernet. It provides a OSFP copper direct

800G OSFP AOC (1~50m)

The GIGALIGHT 800G OSFP AOC active optical cable is used for short distance interconnections between equipment within data centers and are compliant with



WebiTelecomms Cabling



800G Active Electrical Cable , AscentOptics

800G OSFP Active Electrical Cable (AEC)
Designed for next-generation data centers and high-performance computing, the 800G OSFP AEC delivers ultra-high-speed connectivity with a

800G DAC/AEC/ACC/AOC Cables

Customized OEM 800G OSFP to 2*400G QSFP112 Breakout Active Copper Cable (ACC) 3m 4m 5m
800G OSFP to 2*400G OSFP Passive Breakout Direct Attach



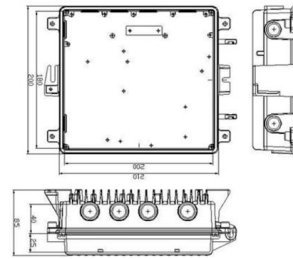
Hybrid ACC+ Copper Cable Solutions-800G OSFP / 800G QSFP-DD

By leveraging a patented Hybrid architecture that combines the strengths of existing PCC/ACC and AEC methodologies, these cables deliver dramatically lower power, latency, and cost compared with



800G OSFP/HYBRID

The GIGALIGHT 800G OSFP/OSFP HYBRID pluggable optical transceiver modules support 800G Ethernet and InfiniBand NDR data rates. This portfolio includes



Powering 800G-Ready Data Centers

Transform your data center with 800Gbps optical transceivers, active optical cables, active copper cables, direct attached copper cables, fiber patch cables, and patch

7m (23ft) 800G OSFP Active Optical Cable 7 Meters

The 800G AOC is a OSFP to OSFP active optical cable for short-range datacommunication and interconnect applications. Each AOC has 8 duplex channels with 850Gbit/s aggregate bandwidth.



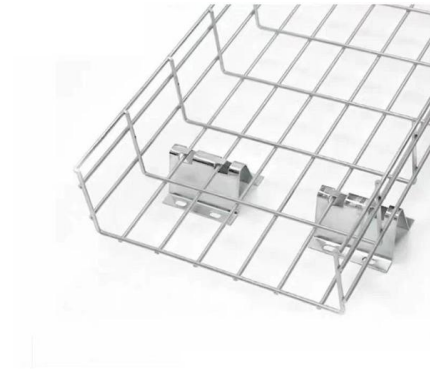
800G OSFP Active Optical Cable Datasheet

General Description The OSFP-800G-AOC01 is a OSFP to OSFP active optical cable for short-range data communication and interconnect applications. Each AOC has 8 duplex channels with 850Gbit/s



JT-OSFP-800G-AOC-XX

JTOPTICS® 800G Active Optical Cable delivers high-performance and optimized connectivity solutions for datacentre interconnections at speeds up to 800Gb/s



Volex 800G OSFP Active Copper Cable

As next-gen data centers deploy faster speed in a tighter space, they need high performance cables that reduce power consumption, provide reliable operation and are low cost. Volex's OSFP 800G active

Cloud, Connection, Creativity---3Coptics Provide you All

800G OSFP AOC The 800G OSFP AOC (active optical cable) is an 800 Gb/s parallel active optical cable, which transmits parallel 8100 Gb/s PAM4 signals over multi



800G Optical Transceivers and Cables for Data Center

800G transceivers and cables address the growing bandwidth requirements that the traditional one cannot meet, providing high data rates and great information capacity for data center

OEM-Alternative Transceivers , Optics for AI



Fabrics, GPU

Search by manufacturer, platform, or OEM part number to identify validated Axiom alternatives. Use our cable finder to match the correct fiber, copper, DAC, or AOC configuration for your environment.

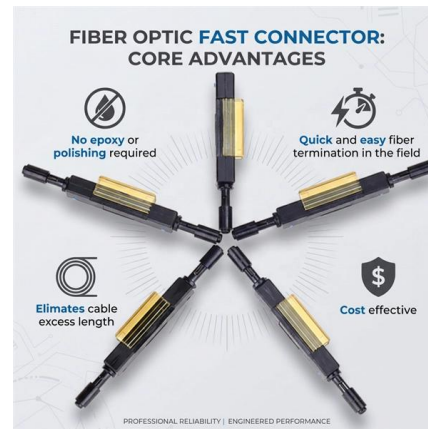


800G OSFP Active Optical Cables , AscentOptics

800G OSFP AOC Product Descriptions The 800G OSFP AOC (active optical cable) is an 800 Gb/s parallel active optical cable, which transmits parallel 8x100 Gb/s PAM4 signals over multi-mode fiber

800G Twin-port 2x400Gb/s OSFP to 2x400Gb/s OSFP Active

For detail mechanical information, please refer to the related document of OSFP MSA. The digital diagnostic memory map specific data field defined as following. For detail EEPROM



OEM 800G OSFP to 2*400G OSFP Passive & Active

Ideal for cloud, enterprise, and hyperscale data center applications, the 800G OSFP to 2*400G OSFP Breakout Cable delivers robust, high-bandwidth connectivity.



800G Active Optical Cable

Photonic 800G Active Optical Cable (breakout 2x400G) provides optimized solutions for interconnections inside datacenter up to 50M on OM4 fiber. Products is in OSFP form factor on the



Hybrid optical cable design enables 800G connectivity

A new hybrid optical fibre cable design from Acome and Sumitomo Electric boasts 800G+ long-haul transmission speeds, cutting both cost and energy use

800G NDR InfiniBand Transceivers and Cables

The combination of NVIDIA ConnectX-7 adapters, Quantum-2 switches, and optimized cable solutions creates a complete ecosystem that addresses the most demanding networking requirements. As



Pre-Terminated Patch Panel

- Standard 19" width
- Max 144 fibers in 1U
- Ultra-High Density Ready



Dual-sail, easy install & maintain



Lightweight ABS 4000 Luvolite



Premium sheet metal with multi coating

Data Center Transceivers & Cables

Arista offers a broad portfolio of high performance optical transceivers and copper cables for datacenter and campus networks, with speeds ranging from 1G to



5m (16.5ft) 800G OSFP Active Optical Cable 5 Meters

The 800G AOC is a OSFP to OSFP active optical cable for short-range datacommunication and interconnect applications. Each AOC has 8 duplex channels with 850Gbit/s aggregate bandwidth.



800G Closed-Top OSFP AOC with CDR (TX / RX)

One of the standout features of FLEXOPTIX is their compatibility with various vendors. Whether you're working with different hardware providers, you can rely on FLEXOPTIX to work seamlessly across

Beyond Boundaries: Explain the 800G Transceivers and

Explore the cutting-edge world of 800G transceivers and the latest standards shaping high-speed communications. Dive deep into technology



800G OSFP , Active Optical Cable (AOC)

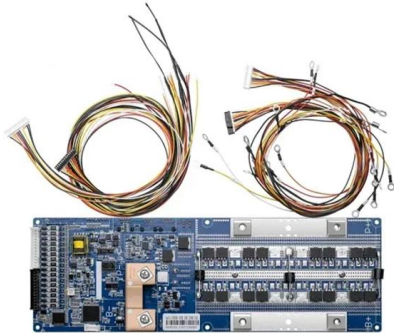
The 800G OSFP Active Optical Cable is designed for 800 Gigabit Ethernet links over OM4 multimode fiber. This cable is compliant with IEEE 802.3bs, OSFP Rev 5.0, SFF-8679, and CMIS Rev 4.0.

800G OSFP IB NDR Active Copper Cable



800G Twin-

Ascent OSFP-800G-ACC is a 800Gb/s twin-port OSFP (Octal Small Formfactor Pluggable)-to-2x400Gb/s twin-port OSFP Active Copper Cable (ACC) for InfiniBand NDR networking. ACC



800G NDR InfiniBand , InfiniBand Optical Transceiver and Optical

FS 800G NDR InfiniBand optical modules and cables solution used for high-bandwidth data transmission, data centre and AI computing applications. Click to get your 800g transceiver modules



800G Optical Transceivers - HRI Connect GmbH

800G transceivers redefine network performance with double the bandwidth, enabling blazing speeds and unmatched efficiency. Leveraging cutting-edge tech,

Contact Us

For datasheets, pricing, or custom high-speed optical interconnect solutions, please visit:
<https://www.syropy.com.pl>