

Gi type multimode fiber optic cable





Gi type multimode fiber optic cable



OS1 vs OS2, OM3 vs OM4 vs OM5 - Fiber Optic Cable

Discover the key differences between OS1 and OS2 singlemode fibers, and OM3, OM4, OM5 multimode cables. Learn how to select the right fiber type

EATON TRIPP LITE SERIES 40/100/400G MULTIMODE 50/125 OM3 FIBER OPTIC

40/100/400 GbE Cable Supports Higher Bandwidths for High-Density Data Networking
The N846B-25M-24-P is a premium multimode fiber optic cable that supports 400 Gb Ethernet speeds for transmitting



Singlemode vs Multimode Fiber Optic Cable

We breakdown the differences between single mode and multimode fiber optic cable, covering aspects like physical structure, bandwidth over

Fiber Optic Cable Types Explained

Our comprehensive guide to types of fiber optic cables. Learn all about the differences between single mode and multimode cables, as well as the various



Lightera: Complete Fiber Optic and Connectivity Solutions

Leader in fiber optic and connectivity solutions, uniting Furukawa Electric's fiber and cable division, Furukawa Electric LatAm and OFS.



The FOA Reference For Fiber Optics

The core of step index multimode fiber is made completely of one type of optical material and the cladding is another type with different optical characteristics. It



Multimode Fiber Data Sheet

This fiber is a bend-insensitive, graded-index multimode fiber designed for transmission speeds of 1 Gbps but also appropriate for transmission speeds of up to 10 Gb/s.





Understanding the 12 Strand Multimode Fiber Optic Cable: A

The 12 strand multimode fiber optic cable is a direct response to this need, allowing multiple data channels to be run concurrently. The multimode fiber industry is driven by the constant



50 μ m Specialty Multimode Fiber

Coherent specialty multi-mode fibers are ideal for a variety of diverse applications. They are capable of withstanding extreme environments and large temperature swings.

Multimode Fiber Cable Types: OM1/OM2/OM3/OM4/OM5 Compared

Introduction Fiber optic cables are the backbone of modern telecommunications infrastructure, enabling high-speed data transmission across vast distances with minimal signal loss.



GI-50/125-S, Graded Index Specialty Multimode Optical

Coherent specialty multi-mode fibers are ideal for a variety of diverse applications. They are capable of withstanding extreme environments and large temperature





OM1 vs OM2 vs OM3 vs OM4 vs OM5 Multimode Fiber

Compare OM1, OM2, OM3, OM4, and OM5 multimode fiber specs, distances, bandwidth, and applications. Essential guide for data center fiber

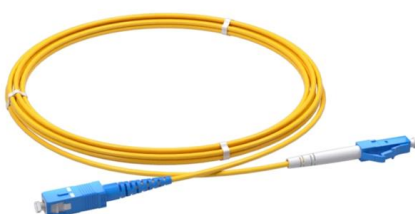


Multimode Optical Fiber Selection & Specification

Laser-Optimized 50-µm MultiMode Fiber (LOMMF) is the recommended fiber type in today's Local Area Network (LAN) and Data Center (DC) environments in conjunction with 850 nm vertical-cavity

Multi-mode optical fiber

Multi-mode optical fiber is a type of optical fiber mostly used for communication over short distances, such as within a building or on a campus. Multi-mode links can



Multimode Fiber Types: OM1 vs OM2 vs OM3 vs OM4

Identified by ISO 11801 standard, multimode fiber optic cables can be classified into OM1 fiber, OM2 fiber, OM3 fiber, OM4 fiber and newly released



DrakaElite_GI-MMF_for_electronic_2011.05

Draka has developed a full range of Graded-Index Multimode Optical Fiber (GI-MMF) to cope with the rising requests concerning dense integration of optical links inside or between electronic devices.



Cables to Go

Shop Cables to Go C2G 33036 OM2 Fiber Optic Cable LC LC 50/125 Duplex Multimode PVC Fiber Cable, Orange (32.8 Feet, 10 Meters) products at Best Buy. Find low everyday prices and buy online

What Is Fiber Optics? A Guide

Streaming a movie, making a phone call, or getting an endoscopy may seem like disparate experiences, but they share a common thread: They're



Cables to Go

Shop Cables to Go C2G 01115 OM3 Fiber Optic Cable LC LC 10Gb 50/125 Duplex Multimode PVC Fiber Cable, Aqua (29.5 Feet, 9 Meters) products at Best Buy. Find low everyday prices and buy





Single Mode vs Multimode Fiber, What is The

Learn the key differences between single mode vs multimode fiber cables and choose the right one for your fiber optic system.



Single Mode vs. Multimode Fiber Optic Cables

There are two main types of fiber optic cables: single mode and multimode. Although they can do the same job in some instances, the different

Everything You Need to Know About Multimode Fiber

Explore multimode fiber optic cables for enterprise, campus, and data center networks. Learn about OM1-OM5 types, transmission ranges, installation



Multimode vs Single Mode Fiber Optic Cables: A Complete Guide to

Learn the differences between multimode (OM1-OM5) and single mode (OS1-OS2) fiber optic cables--speed, distance, applications, and how to choose the right one for data centers and



Fiber Optic Cable Types & What They Are Used For

Transmission Efficiency: These cables are superior to traditional copper cables as they can transmit data over longer distances with higher



An Extensive Library of Self-Developed Products

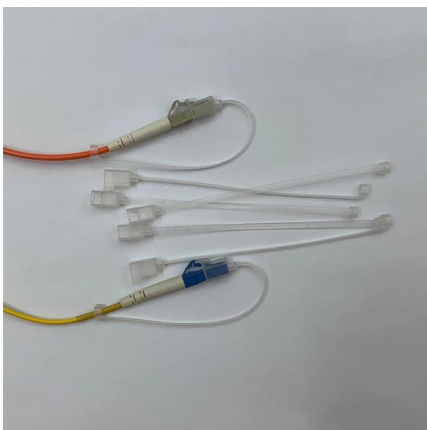


Cables to Go

Shop Cables to Go C2G 33157 OM1 Fiber Optic Cable LC SC 62.5/125 Duplex Multimode PVC Fiber Cable, Orange (16.4 Feet, 5 Meters) products at Best Buy. Find low everyday prices and buy online

Cables to Go

Shop Cables to Go C2G 33172 OM1 Fiber Optic Cable LC LC 62.5/125 Duplex Multimode PVC Fiber Cable, Orange (3.3 Feet, 1 Meter) products at Best Buy. Find low everyday prices and buy online for



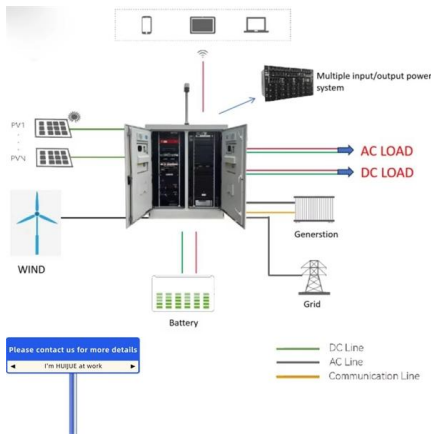
Step-Index Multimode Fiber vs Graded-Index Multimode

Two common types of multimode fibers are step-index multimode fiber (SI-MMF) and graded-index multimode fiber (GI-MMF). In this comprehensive



Single Mode vs Multimode Fiber: Pros, Cons,

Not sure which type of fiber your network needs? Fatbeam breaks down single mode vs multimode fiber and what each can offer your business in this guide.



Multi-Mode Fibers

Graded-index multimode (GI/MM) fibers are engineered to reduce signal distortion by smoothly varying the refractive index across the core, enabling better performance over longer distances.

Contact Us

For datasheets, pricing, or custom high-speed optical interconnect solutions, please visit:
<https://www.syropy.com.pl>