

# **German Single-Mode Fiber Optic Transceiver Brands**





## German Single-Mode Fiber Optic Transceiver Brands

---



### **SFP-1G-SX Explained: The Essential Guide to 1G**

This guide dives deep into the SFP-1G-SX transceiver, the industry-standard solution for 1 Gigabit short-range fiber optic connections. Learn about its

### **The Difference Between Single/Dual Fiber and**

As fiber optic networks continue to evolve, selecting the right optical transceiver becomes increasingly important. Whether you're designing a short



### **Single-mode transceiver, Single-mode transceiver module**

Find your single-mode transceiver easily amongst the 109 products from the leading brands (Volktek, Lantech, PLANET, ) on DirectIndustry, the industry specialist for your professional purchases.

### **Single Mode Fiber Transceivers - Fiber Savvy**

Single Mode Fiber Optic Transceivers are essential components in high-speed, long-distance data transfer networks. Their ability to support high data rates, reach, and reliability make them ideal for



### Optics and Transceivers , Fiber Optical Transceivers

FS offers a growing portfolio of optical transceivers, with speed range from 100M, 1G, 10G, 25G, 40G, 50G, 100G, 200G, 400G to 800G and beyond. The fiber optic



### Fiber Optic Transceiver Manufacturers

The leading Fiber Optic Transceiver Manufacturers in Germany are listed in this directory. You can narrow down the list of manufacturers based on their location and capabilities, browse their product



### Buy SFP Transceiver Modules online , Planet Webshop

There are SFP modules that are specifically designed for use with copper cables, as well as those that are designed for use with single-mode or multimode fiber optic cables.





### SEL-2829 Single-Mode Fiber-Optic Transceiver/Modem

Single-Mode Fiber-Optic Transceiver/Modem  
Improve safety, signal integrity, and reliability by using two optical fibers instead of wire to transfer bidirectional serial data using single-mode optical fiber. Apply



### 1 Gbit/s Singlemode SFP Transceivers , Westermo

High-bandwidth Westermo 1 Gbit/s singlemode SFPs for 9/125 μm fibre. Available in 10 to 110 km variants for industrial use. View technical specs.

### Differences Between Single-mode & Multimode Fiber Optic Transceivers

The transmission distance of multimode fiber optic transceiver is less than that of the single-mode transceiver due to dispersion. What Are Their Differences?



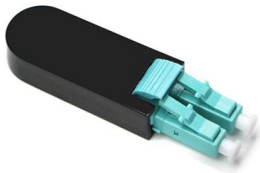
### Fiber optic transceiver

Single-Mode Fiber-Optic Transceiver/Modem  
Improve safety, signal integrity, and reliability by using two optical fibers instead of wire to transfer bidirectional serial



## SFP Transceiver Single Mode: High-Performance Solutions

What is an SFP Transceiver Single Mode LC Module? An SFP (Small Form-Factor Pluggable) transceiver single mode LC module is a compact, hot-swappable

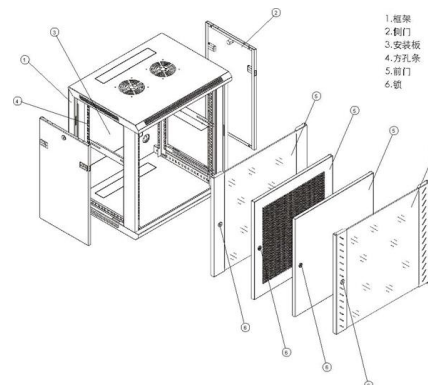


## Singlemode Fiber Optic Transmitters, Receivers, Transceivers

Mouser offers inventory, pricing, & datasheets for Singlemode Fiber Optic Transmitters, Receivers, Transceivers.

## The Ultimate Guide to SFP Optical Transceivers for High

Moreover, the fiber optic cable type used and specifications of a transceiver determine what distance an SFP transceiver can cover. For instance,



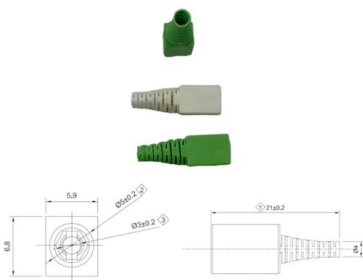
## Demystifying Optical Transceivers: The Gateway to High-Speed Data

By understanding these key aspects of fiber optic transceivers, you can make informed decisions when upgrading or expanding your network infrastructure. Whether you're building a high-speed local area

## 109 Fiber Optic Cable Manufacturers in 2026



This section provides an overview for fiber optic cables as well as their applications and principles. Also, please take a look at the list of 109 fiber optic cable

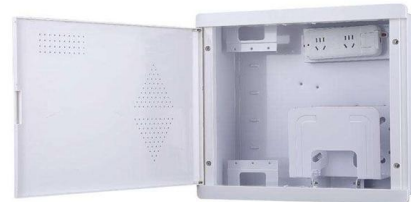


### High-performance transceivers

World class transceivers for telecom applications - We are experts as we also supply the transceiver manufacturers with the optical components.

### Top Optical Transceiver Manufacturers List (2024)

The optical transceiver industry constantly evolves, with new companies appearing almost daily. This list of optical transceiver manufacturers is



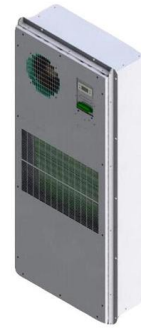
### Singlemode Fiber Optic Transmitters, Receivers, Transceivers

Singlemode Fiber Optic Transmitters, Receivers, Transceivers are available at Mouser Electronics. Mouser offers inventory, pricing, & datasheets for Singlemode Fiber Optic Transmitters, Receivers,



## Fibre Optic Transceiver Module & Cable Solutions

Complete portfolio of optical interfaces to satisfy rapidly increasing bandwidth demand in the access part of the network.



### Singlemode: Transceiver Lösungen & Einsatzbereiche

Singlemode Transceiver: Das sind die Einsatzbereiche Durch den zunehmenden Ausbau von Glasfasernetzen erhöht sich auch der Bedarf an flexiblen Lösungen zur optimalen Verbindung

### Unraveling the Excellence A Detailed Guide to Top Single Mode Fiber

4. Leoni AG: A German multinational, Leoni offers high-quality single mode fibers for demanding applications, focusing on innovation and reliability. Introducing OWIRE: A Promising



### Optik und Transceiver , Faseroptischer Transceiver

FS bietet ein wachsendes Portfolio an optischen Transceivern mit Geschwindigkeiten von 100M, 1G, 10G, 25G, 40G, 50G, 100G, 200G, 400G bis 800G und darüber hinaus. Die faseroptischen

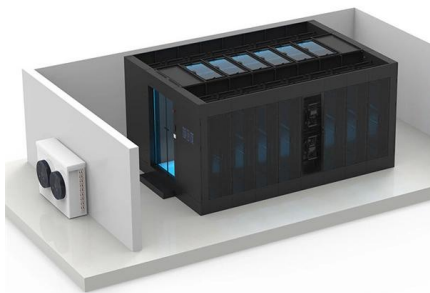


### Single-mode vs Multimode SFP



### Transceivers: A

Single-mode SFP and multimode SFP are the two main types of hot-pluggable optical transceivers used in fiber optic networks. Both of them use LC



### 10 Best German Fiber Optic Cable Manufacturers

This post lists 8 professional German fiber optic cable manufacturing company. Take a look at their list and obtain detailed information about them.

### Fibre Optic Transceiver Modules , Farnell® Germany

Find a huge range of Fibre Optic Transceiver Modules at Farnell® Germany. We stock a large selection of Fibre Optic Transceiver Modules, including new and most popular products from the world's top



### High-performance transceivers

Experience significant savings of up to 80 % on transceivers from Network Equipment Manufacturers (NEMs). Our transceivers are compatible with over 50

### Single Mode Fiber: Types and Applications



Single mode fiber (SMF) is a type of fiber optic cable that only allows one light mode to transmit at a time. Generally, single



PRODUCT CATEGORY				
Open rack Series	Open Rack	12U Apert open rack	18" Deep Wall rack	Adjustable Depth Open rack
Wall mount rack Series	Glass door Wall mount rack	Mesh door Wall mount rack	Double section Wall mount rack	Economic type Wall mount rack
Floor standing server rack	Glass door with casters	Mesh door with casters	42U Standard Server rack	Double open door Server rack
Outdoor cabinet	A/C conditioner Outdoor cabinet	Outdoor cabinet with plinth	Outdoor cabinet with fan cooling	Double Wall Outdoor cabinet
Splitter series	Bare Fiber Splitters	Blackless Fiber Splitters	ABS Splitter	Fanout Splitters
Splitter series	LSX Splitters	Rack Mount Splitters	Mix Plug-in Type Splitter	Tray Splitters
Patch cord series	LC	SC	FC	LC
FTTH product series				

### Singlemode: Transceiver Lösungen & Einsatzbereiche

Entdecken Sie unsere vielfältige Auswahl an Singlemode Transceivermodulen, die speziell für langlebige, zuverlässige und leistungsstarke Glasfaser-Kommunikation entwickelt wurden.

### Offizieller BlueOptics SFP Hersteller

BlueOptics bietet Komplettlösungen für 400G-Netze der nächsten Generation an. QSFP-DD, QSFP28, SFP28 ab Lager lieferbar. BlueOptics hochleistungs



## Contact Us

For datasheets, pricing, or custom high-speed optical interconnect solutions, please visit:  
<https://www.syropy.com.pl>