

French aluminum alloy long-span cable trays





French aluminum alloy long-span cable trays



T& B® Cable Tray Long-span AH1-8 series aluminum cable tra

Long-span AH1-8 series aluminum cable tray NEMA VE-1 Section 5.2.2 states that for each design of cable tray, two specimens shall be tested. An unspliced straight section of the greatest width shall be

Niedax France SAS

French leader in cable trays and long-standing partner of national installers, engineering companies and electrical wholesalers, Niedax is the reference in

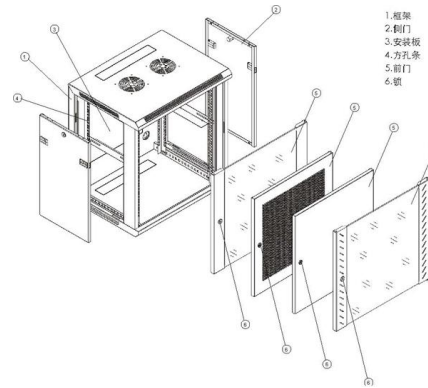


Large Span Cable Trays Lay Heavy Cables in Industries

Large span cable trays can be divided into ladder style, channel style, perforated style with galvanized, powder coated surface to resist corrosion. They are widely

Cooper B-Line

Cooper B-Line's product offerings also set new standards. Cooper B-Line manufactures cable support product lines that bridge both the electrical and telecom markets. Each of those product lines are



Aluminum Alloy Cable Tray is Lightweight to Install

Aluminum alloy cable trays have good strength, beautiful appearance, large carrying capacity. Also, they are designed into several patterns such as channel design,

PRODUCT BROCHURE T& B® Cable Tray Specialty aluminum solutions

These longer-length cable tray sections are ideal for industrial and commercial applications such as roadway crossings and pipe bridges or lowering installation costs by reducing the number of



Itray Aluminum Ladder Tray Straight Sections , Ladder Trays , Cable

The ITray Aluminum Ladder Tray is engineered for optimal performance in industrial installations, particularly those involving large diameter cables and long span situations.



Long-Span Cable Tray , Heavy-Duty Support for Large Industrial Cable



Engineered for long distance cable routing, long-span cable tray offers high load capacity and strong structural durability for industrial applications.



Section 17.pdf

3.1 Aluminum Trough type cable tray longitudinal members shall be 4-1/2, 6, 7,8, or 10 deep extruded aluminum channels or I-Beams of 6063-T6 aluminum alloy.

CABLE TRAY SYSTEMS GUIDE

Aluminum Ladder System SPAN/LOAD CLASS DESIGNATIONS Commonly called the Load Class, this defines the load-carrying capability of the tray for a specific support span distance. The design and



Aluminum Cable Tray, Aluminum Ladder Cable Tray

Specification of Diameter Maximize your cable management with Aluminum cable trays that are available in a wide range of sizes which are 200mm - 800mm wide,



Aluminum Cable Tray

Aluminum cable trays (Alum alloy cable trays) are a lightweight yet sturdy system designed to support and organize electrical cables in various construction



Cable Tray Fitting, Expansion Splice Kit, Aluminum Alloy, 7 in. H

The aluminum I-beam design of ITray is perfect for industrial installations with large diameter cables in long span situations, minimizing total tray width and creating a smooth transition between straight



B-Line series Cable Tray Design Considerations

B-Line series straight cable tray sections allow for the structural supports to be spaced up to 6m (20 ft) for steel cable ladder and up to 12m (40 ft) with aluminum cable ladder.



Cable Tray Technical Guide A practical guide to product selection and

A practical guide to product selection and installation This guide for engineers and installers has been developed by ABB as a practical reference regarding cable tray characteristics, installation, and



No Results

If you are still having trouble, please consider browsing by our Products or Brands below which may have what you need. Or using the links within the menu. Please do not hesitate to contact us for any



Product Catalogue Cable Management Solutions

Delivering engineered solutions in cable management ABB manufacturers a comprehensive range of cable tray systems and solutions including cable ladder, perforated tray, channel tray and metal

Long-Span Ladder Cable Tray System

The long-span cable tray adopts the structure of a strengthened side plate, which greatly increases the load capacity of the bridge. The product is suitable for the





What Are Long Span Cable Trays

What are long span cable trays? Learn how they reduce support points, save costs & suit stadiums, factories. UK expert guide with FAQs.

Cable trays, wide span , OBO

Colour 6 products (30 Variants) 30 60 90 5
Variants Wide span cable tray WKSG 110 FS To
product 5 Variants Wide span cable tray WKSG
110 FT To product



CableTray Book English

Extra wide aluminum rungs are welded to extruded aluminum I-beam side rails. Every second rung is reversed to allow for easy top or bottom mounting of cable ties and clamps. All edges and welds are

French Manufacturer of Cable Trays

OB PROFILS offers a wide range of cable trays and supports to support and facilitate the passage of your electrical cables. A complete range of accessories accompanies our cable trays: support,





Aluminum Alloy Cable Tray for Corrosion-Resistant Systems

Discover aluminum alloy cable trays that are lightweight, corrosion-resistant, and optimize heat dissipation for safe, long-lasting cable management.

Aluminum Cable Tray Systems

Zip Cable Tray Systems, a division of RangeRack Inc, was designed in 1994 at the specific request of the telecom industry for a lightweight cable tray system that was strong, yet fast and easy to install.



Aluminum Alloy Cable Tray is Lightweight to Install

Aluminum alloy cable tray is made of aluminum alloy through extrusion molding. Compared with stainless steel cable trays, aluminum alloy cable trays are much

Large Span Aluminum Alloy Cable Tray

Large Span Aluminum Alloy Cable Tray Shandong Bolt Electrical Equipment Co., Ltd. will give you a detailed introduction to the content of Large Span Aluminum



Aluminium Cable Trays , EAE Electric



The aluminum cable tray is a lightweight, durable, and cost-effective solution used for organizing and safely carrying electrical and data cables. With easy installation

Long-Span Cable Tray

Long-Span Cable Tray is engineered to span large distances (typically 6m+ between supports) without compromising structural stability. Suitable for high-bay warehouses, stadiums, bridges, and industrial



T& B Cable Tray , Brands , ABB Electrification Canada

T& B Cable Tray Systems®: Offering ladder, large radius, long span, nonmetallic, one-piece, and ExpressTray® wire basket trays in various materials.

Contact Us

For datasheets, pricing, or custom high-speed optical interconnect solutions, please visit:
<https://www.syropy.com.pl>