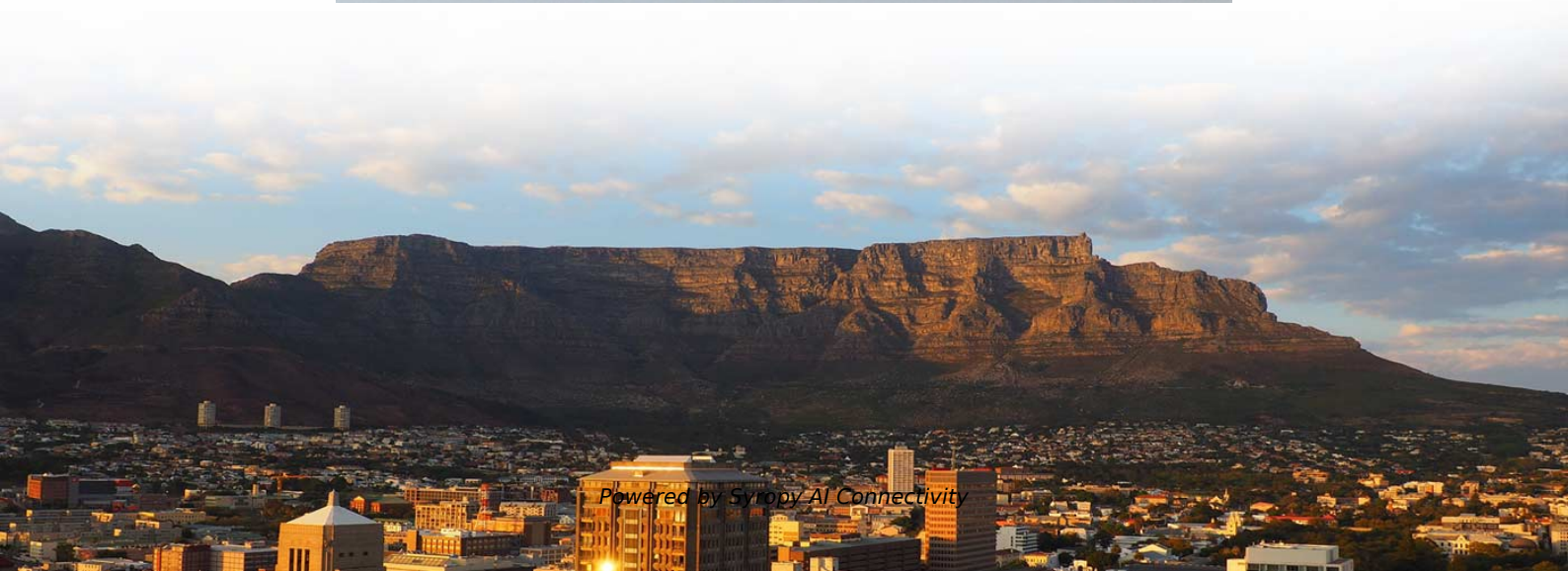


Folding Angle Square for Cable Trays





Folding Angle Square for Cable Trays



Cable Tray Connectors , McMaster-Carr

Choose from our selection of cable tray connectors, including cable and hose trays, steel formable cable and hose trays, and more. Same and Next Day Delivery.

Cable Tray Angles

Find durable cable tray angles in slotted steel or FRP with CE certification. Ideal for industrial cable management & telecom systems.



Guide to cable support systems

A cable support system consists of cable support lengths and system components, such as cable support fittings, support elements, mounting elements and system accessories. The cable support

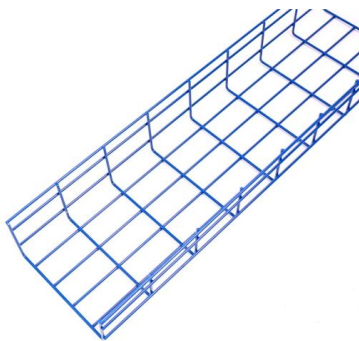
Cable Tray Spacing Standards for Installation and Safety

Key Factors Impacting Cable Tray Spacing
Understanding cable tray spacing is key to meeting safety regulations and maintaining system



Perforated Cable Tray -- Aluminum, Galvanized, 304

TechLine Mfg perforated angle and channel cable trays in hot-dip galvanized, aluminum, and 304 stainless steel. UL Classified options. Request a quote today.



How to Install Cable Tray: A Comprehensive Guide to Different Cable

Welcome to our step-by-step guide on installing cable trays! In this video, we'll explore the different types of cable trays available and provide detailed instructions for their installation.



How to Calculate Size of Cut to Set Cable Tray

I worked with cable tray about 40 years ago and remember I created a couple of simple formulae to work out how much triangular section of the cable



How to make a 0-90° vertical angle for



cable trays?

Elbow joint RVS is pushed inside the cable tray and attached with the included screw set. Elbow joint RVS can be used to change a cable tray's horizontal orientation

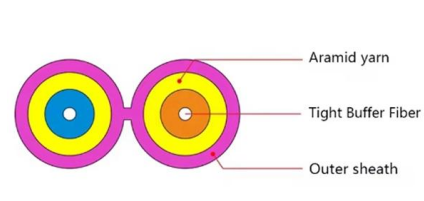


Angle plate , GRP Cable tray fittings

Angle plate manufacturer. Angle plate is used for fastening GRP cable trays & ladders. Angle plates of all sizes available in polished stainless steel material grade.

Cable Tray Technical Guide A practical guide to product selection and

Cable Tray Technical Guide A practical guide to product selection and installation This guide for engineers and installers has been developed by ABB as a practical reference regarding cable tray



Types of Cable Trays - Advantages, Applications and Sizes

Explore the types of cable trays, their advantages, applications, and standard sizes. Learn how they improve cable management and support various industries.



CUTTING GUIDELINE

Hilti's cordless bandsaw is an appropriate tool for cutting low height, thin metal products such as cable ladders and trays and support channels. Accurate cutting is achieved with low noise and debris.



Cable Trays , McMaster-Carr

Choose from our selection of cable trays, including over 850 products in a wide range of styles and sizes. Same and Next Day Delivery.

GUIDE CABLE TRAYS TECHNICAL

NEMA VE 1-2017 Specifies requirements for metal cable trays and associated fittings designed for use in accordance with the rules of Canadian Electrical Code, Part I and the National Electrical Code®



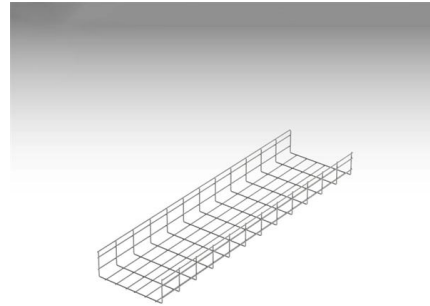
Product Catalogue Cable Management Solutions

Cable ladder is a more reliable, less expensive solution for supporting cable, which is easier to maintain, proves more adaptable to changing needs, and is more suitable for harsh and corrosive environments.



Angle Tray - MAK Cable Trays & Fabricators

Angle Tray High strength Angle trays are designed for heavy-duty power distribution in industrial facility, which is fabrication using MS angle and Flats / Strips



Grid Cable for marine and offshore applications



CABLE TRAY SYSTEMS GUIDE

Cable Tray Systems Guide HUBBELL Hubbell Wiring Device-Kellems and Hubbell Premise Wiring are divisions of Hubbell Incorporated, a U.S. headquartered manufacturer with over 130 years of

Cable Tray Design and Standards Guide

The document outlines codes and standards that must be followed for design and construction of cable trays and their components. Standards listed include those



B-Line series Cable Tray Design Considerations

For ladder or ventilated trough trays, the total sum of the cross-sectional areas of all the cables to be installed in the cable tray must be equal to or less than the allowable cable area for the tray width, as



CABLE TRAY SYSTEMS GUIDE

Hubbell's NEXTFRAME® Ladder Tray is the effective and widely used cable runway that supports and delivers bundles of cable between cabinets, racks, and closets, along walls, and suspended from

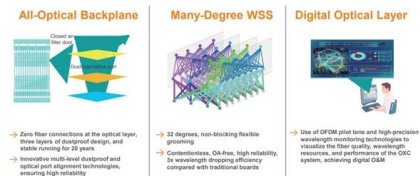


Best Practice Guide to Cable Ladder and Cable Tray Systems

This guide covers cable ladder systems, cable tray systems, channel support systems and associated supports intended for the support and accommodation of cables and possibly other electrical

300mm Medium Duty Cable Tray Flat 90 Degree Bends (MDT300FB)

Unistrut Cable Tray Medium Duty Flat Bend 90 Degree 300MM Pre-Galvanised (TUMB300/90PG) Medium Duty Cable tray comes with a height of 25mm. Bends come pre made in 90 & 45 degree



How to make a 0-90° vertical angle for cable trays?

How to make a 0-90° vertical angle for cable trays? Elbow joint RVS is pushed inside the cable tray and attached with the included screw set. Elbow joint RVS can be



Indmark Cable Trays

Corrosion Resistance Our galvanized channel angles are coated with a layer of zinc, providing exceptional resistance to corrosion. This protective coating ensures your structural components



Cable Tray Size and Dimensions: How to Choose the

Learn how to calculate the perfect cable tray size and dimensions for your electrical project. This guide covers load capacity, fill ratios, and industry

Make a (45-45) 90 Gusset Bend in Electrical Cable Tray In One Piece

How to make a 90 electrical cable tray bend to measurement with a gusset of your choice using one piece of tray. Great if you are new or just forgot how to do it, this easy to follow guide makes



How to make an adjustable angle for a cable tray?

The adjustable corner piece SRS is pushed inside the cable tray and attached with the included screw set. The range for adjustable corner piece SRS is 0-75°.S



Best Practice Guide to Cable Ladder and Cable Tray Systems

The radius for cable ladder and cable tray fittings is usually determined by the bending radius and stiffness of the cables installed on the cable ladder or cable tray.



Contact Us

For datasheets, pricing, or custom high-speed optical interconnect solutions, please visit:
<https://www.syropy.com.pl>