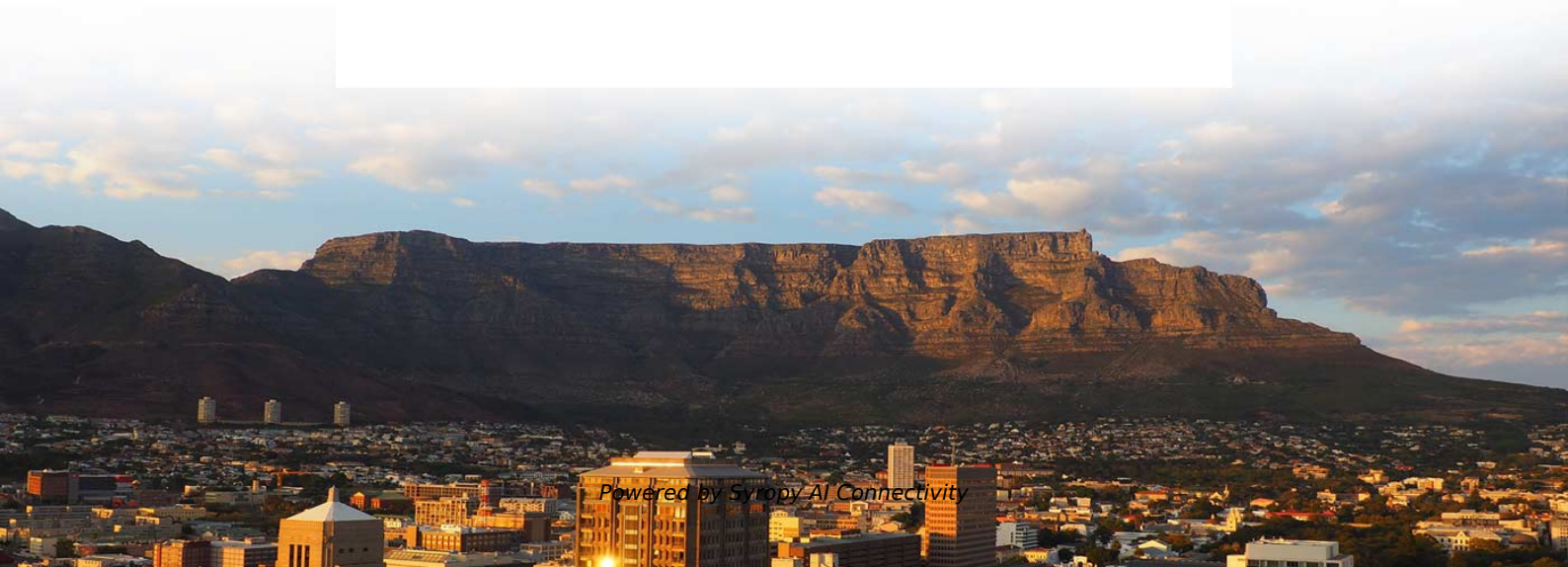




Syropy AI Connectivity

Flame-retardant network cabinets for Saudi Arabian agents





Flame-retardant network cabinets for Saudi Arabian agents



Flammables Safety Cabinets

Flammables safety cabinets meet NFPA 30 standards to reduce the risk of the contents igniting in the event of a fire or due to environmental conditions. These cabinets are normally red or yellow to

Flammable Safety Cabinet Supplier in Saudi Arabia

Being one of the renowned firms in the industry, EMQ Trading Est is providing a high-quality array of Flammable & Industry Safety Cabinet Supplier in Saudi Arabia

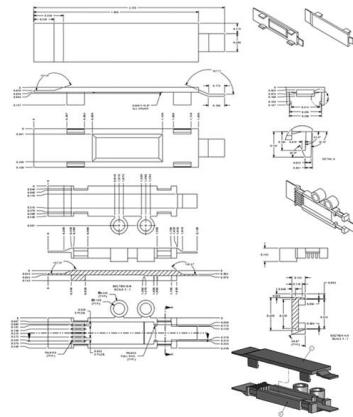


Flame Retardant Buyers & Importers in Saudi Arabia , Trademo

View all flame retardant suppliers based on products in Saudi Arabia. Subscribe to global trade data intelligence to discover new business opportunities, gain market intelligence, and outpace

Royal Trading :: Saudi Arabia Dupont Nomex Coveralls,

FLAME RETARDANT COVERALLS AND OVERALLS
Royal Tradings As a professional personal protective clothing and PPE supplier, Flame Retardant



Fire Retardant in Saudi Arabia , Riyadh, Jeddah, Dammam

Get top-quality Gariox Fire Retardant in Saudi Arabia, including Riyadh, Jeddah, and Dammam. Trusted protection for industrial and commercial fire safety needs.

Cabinets & Racks

eKhalas Saudi Arabia: One-stop shop for innovative audiovisual solutions, seamless Cabinets & Racks, and exceptional experiences.



Fire Resistant Clothing Manufacturers in Saudi Arabia

Get Flame Resistant Clothing in Saudi Arabia direct from the Supplier Our extensive range of flame-resistant garments is designed to provide reliable protection against heat and flames, ensuring the





Fire Resistant Safes , Secure Your Valuables with Us,

Description Protect Your Valuables from Fire Hazards with OFFTEC. Fire has always posed a significant threat to both businesses and homes, leading to the potential



Fire & Safety UAE, National Fire Fighting Manufacturing

NAFFCO is the leading manufacturers & suppliers of fire protection systems, fire fighting equipment, safety & security systems in Dubai, UAE, India, Oman,

Cabinets & Hose Reels , Saudi Arabia , FHC MFG

Fire Hose Reel & Rack Cabinets, Fire Extinguisher Cabinets, Fire Hydrant Cabinets, Bunker Gear Cabinets, Breathing Air Storage Cabinets, IT Server Cabinet.



NAFISCO - Fire & Safety Solutions , Saudi Arabia

NAFISCO is a leading fire protection & safety company in Saudi Arabia, offering design, installation, and maintenance of fire-safety systems since 1985.



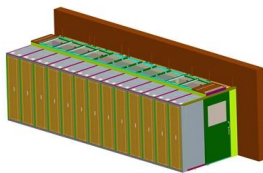
Network Cabinet , FHC MFG Fire Suppression Systems

FHC Cabinets are designed for servers, switches, routers, patch panels, and their cabling systems. Cabinets are ideal for offices, private and government buildings,



Custom FR Clothing in Riyadh, SA

Shop High Quality Flame Resistant Apparel in Riyadh, SA Stay safe while you work hard. Shop OSHA compliant flame resistant clothing in Riyadh at industry lowest prices. We bring you a vast collection



Saudi Arabia Flame Retardant Market , Share & Analysis 2032

Saudi Arabia Flame Retardant Market Overview
The Saudi Arabia flame retardant market is experiencing steady growth driven by increasing awareness about fire safety regulations across



Industrial Enclosures and Cabinets

TIEPCO offers a variety of sizes for industrial enclosures and cabinets. This includes IT server network racks of all sizes and we also customize sizes and number of





SASEEQ has been at the fore front of Fire Protection industry in Saudi Arabia for over 35 years. Global technology through local representation has been the

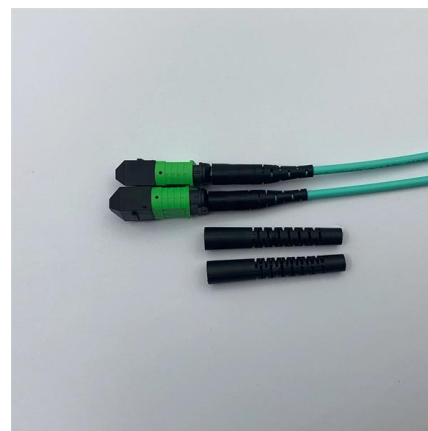


KFA AL Arabia Contracting Company , FIRE FIGHTING

We also provide fire protection services such as underground firefighting piping networks to provide buildings and fire hydrants. The conventional fire piping

Technical Regulation for Fire Control Materials and Equipment

We acknowledge that the product mentioned in the declaration is a product conforms the Saudi technical regulation and its attached Saudi standard specifications.



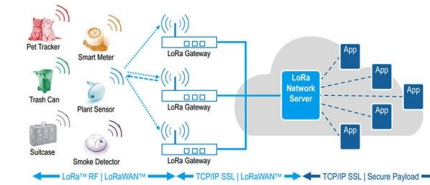
Flame Retardant Workwear Manufacturers in Saudi Arabia

Looking for Premium Quality Flame Retardant Workwear Manufacturers in Saudi Arabia? Retter Workwear - Leading Suppliers and Exporters of Flame Resistant Workwear Since 2015, Supplying at



Fire Cabinets Market in Saudi Arabia , Report

The Saudi Arabian fire cabinets market is a critical component of the Kingdom's rapidly evolving fire safety and protection infrastructure. Driven by an unprecedented wave of giga-projects,



Top network-cabinet Supplier in Riyadh,KSA ,Azra IT systems

Azra IT Systems is a leading supplier & distributor of network-cabinet in Riyadh, Dammam, and all across the Saudi Arabia. Contact us for best prices.

FIREFREEZE , Fire Protection & Safety Solution

We at "FIREFREEZE" are involved in installation and maintenance of all type of fire alarm systems and fire protection systems. We have full expertise on engineering,design, supply, installation and testing



Saudi Arabia Flame Retardant Plastics Market Size and Forecasts 2030

Saudi Arabia Flame Retardant Plastics Market is driven by increasing safety regulations, advancements in material technology, and expanding applications across industries.



Fire Resistant

Best Fire Resistant - FR & Anti-Static safety wear in Saudi Arabia & GCC. Shop with Marksyst, the Best Uniforms Store Supplier in KSA, Bahrain, Qatar, UAE, Kuwait & Oman.



Gamma Factory For Metal Industries.

Explore our range of precision-engineered cabinets and enclosures, designed to meet diverse infrastructure needs. From data centers to outdoor solutions, we

Network Cabinets, Server Racks Suppliers in Riyadh

These cabinets are made to keep devices like routers, switches, servers, and patch panels in place, safe, and ready for use, while also protecting them from various



Saudi Arabia Flame Resistant and Retardant Fabric Market

Operational efficiency within the Saudi Arabia Flame Resistant and Retardant Fabric Market is primarily gauged through production throughput, quality control measures, and supply



KFA AL Arabia Contracting Company , FIRE FIGHTING

pipe networks to supply fire hose cabinet, sprinkler heads, etc. We also provide fire protection services such as underground firefighting piping networks to provide



SFFECO Fire Cabinets in Saudi Arabia , NFPA Compliant

NFPA compliant fire cabinets in Saudi Arabia. Hydrant, hose reel and extinguisher cabinets built for durability and Civil Defense approval.



SFFECO Fire Cabinets in Saudi Arabia , NFPA Compliant

These cabinets are designed to meet the unique needs of businesses in Saudi Arabia, offering durability and reliability. Made from high-quality materials, they are built to withstand harsh conditions and



Contact Us

For datasheets, pricing, or custom high-speed optical interconnect solutions, please visit:
<https://www.syropy.com.pl>