

# **Finnish National Standard Certified Optical Cable**





## Finnish National Standard Certified Optical Cable

---



### The national standardization organisation in Finland

SFS Finnish Standards - The national standardization organisation in Finland Our goal is to ensure that Finnish organisations, both public and private, have an opportunity to have their say on the contents

### CE Certification Compliance for Fiber Optic Cables , JJR LAB

Fiber optic cables require CE compliance for EU access. JJR Lab offers testing for CPR, MDR, LVD, and EMC standards to ensure fast, certified market entry.



### Top Fiber Optic Cable Manufacturers in Finland

Discover all relevant Fiber Optic Cable Manufacturers in Finland, including FiberRise and Nestor Cables



### SFS Suomen Standardit , Tehokkaampi ja turvallisempi

For 100 years, Finland has used standards to promote competitiveness, the functioning of society, public safety, and national security. Celebrating its 100th



### **Industrial and commercial standards in Finland**

Find out about the national standards and certification bodies in Finland. Consult the online catalogue of standards and their classification.



### **The new European CPR cable regulations**

The standard for cables, EN 50575, defines the test standards for testing the 'Reaction to Fire' performance of a cable and also the method of classifying this



### **APS\_cables\_eng\_Bredengen.pub**

Wires and Cables 15 years of experience APS supplies standard and special copper bles based on its 15 years of experience which in designing and manufacturing. Since 2005 the structured commercial



## Overview of optical fibres standardization

Readers of this document are encouraged to seek information on specific matters regarding Optical cables and components from the manufacturer or provider and to consider the Technical Standards

Ordering information

NO.	1	2	3	4	5	6
Model	SP1201	SP1202	SP1604	SP1601	SP1202	SP1204
Product name	Patch Panel	Patch Panel	Patch Panel	Patch Panel	Patch Panel	Patch Panel
Illustration						
HU	1	2	4	1	2	4
Maximum number of cores	144	288	576	144	288	576
Product size (including module and adapters)	482.8*217*144 mm	482.8*217*188.1 mm	482.8*217*117 mm	482.8*217*144 mm	482.8*217*188.1 mm	482.8*217*177 mm
Standard color code	RAL9005	RAL9005	RAL9005	RAL9005	RAL9005	RAL9005



## Fiber Optic Cable FTMS LSZH-FR Dca, Indoor

Home > Tele & Data > Fiber Optic Indoor LIIN25 > Fiber Optic Cable FTMS LSZH-FR Dca, Indoor

## Fiber Optic & Cable Standards Guide , FiberMania

Fiber optic networks are built on well-defined standards that ensure quality, performance, and interoperability. This article explains eight of the most



## Our production

Orbis manufactures custom-made fiber optic cables, connection boxes, panels and cabinets to suit specific customer needs. All of the largest telecommunications



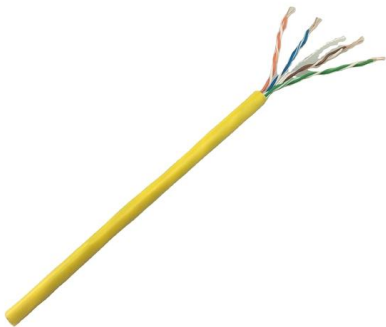
## Custom cables

We pride ourselves on our ability to deliver reliable, innovative solutions for all your cabling requirements. In addition to meeting technical specifications, our custom cables and special cables



## SFS Suomen Standardit , Tehokkaampi ja turvallisempi

With the publication of the new national standard SFS 7515, Finland has become a pioneer in refractive surgery. Other countries are yet to implement such national



## Choosing the right fiber cable to meet the National

What UL standards fiber cable network planners and installers need to look for to ensure compliance with the US National Electrical Code (NEC).



## Standard for Installing and Testing Fiber Optics

Documentation of the fiber optic cable plant should follow TIA-606, Administration Standard for the Telecommunications Infrastructure of Commercial Buildings or specific customer requirements.



## Understanding The Fiber Optic Association Certifications

Fiber optic network design - This is a specialist application certification covering fiber optic network design intended for network owners, IT personnel, facilities



## Products for Fiber Optic Cabling | Tietosähkö Oy

All our imported fiber patch cords are tested with rigorous testing methods. We offer fiber-optic cables for almost all applications, such as installation cables for indoor and outdoor use, military and industrial

## IEEE 1682-2011 IEEE Standard for Qualifying Fiber Optic Cables

Fiber optic cables have been deployed in nuclear power plants since at least 1979 for non-safety related systems. Since then, usage has expanded throughout the plant, including into safety related



## ISO

SFS Finnish Standards was founded in 1924 as a private association. According to its statutes, the SFS acts as the central organization of the national standards



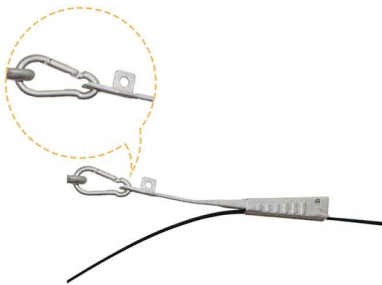
## The Fiber Optic Association

Other groups may have fiber optic standards also: ANSI is the governing bodies for standards in the US, NIST provides primary standards, IEEE has standards for



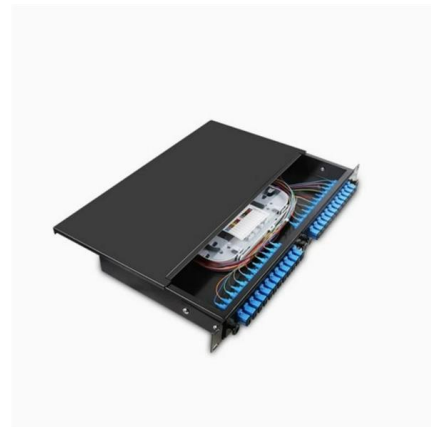
## Standards for Optical Cable Assembly Manufacturers

The standards for optical cable assembly manufacturers address the overall goals of reliable, consistently produced jumpers and pigtails;



## Standards Updates for Optical Fiber: What You Need to

Standards Updates for Optical Fiber: What You Need to Know Industry standards for optical fiber cables, components, systems and applications



## NPFC

Also machine-tool cable for use as specified in the National Electrical Code (NFPA 70) and in the National Fire Protection Association Electrical Standard for Industrial Machinery (NFPA 79).





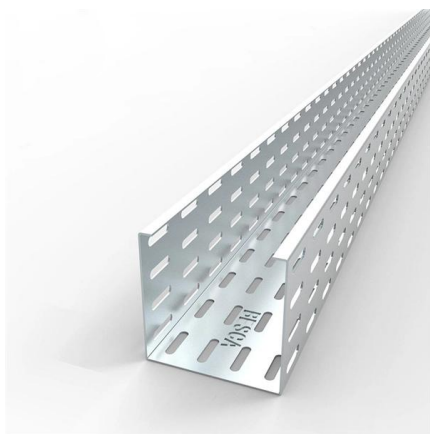
## The national standardization organisation in Finland

We control and coordinate national standardization work in Finland and approve national standards with the SFS designation. We provide users of standards with national and international standards and



## FOA Fiber Optic Standards

One FOA standard, the FOA Standard For Installing Fiber Optic Cable Plants, was created because there was a demand for an installation standard that covered all

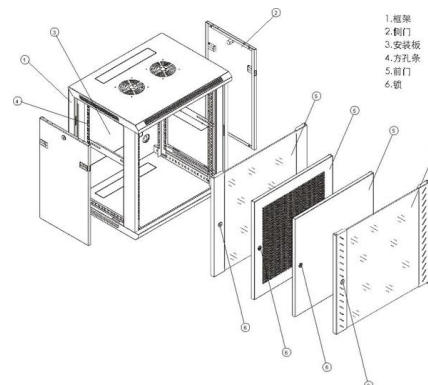


## Standards



## Nestor Cables , Reka Industrial

Nestor Cables develops, manufactures optical and copper telecommunications cables, as well as industrial cables and fiber optic cable accessories.



## Our production

Finnish company Orbis Oy has been providing data transmission products since 1949. Our specialties include wireless RF technology and fiber optic technology



Fiber-optic standards resources from The Fiber School -- detailed guides, industry standards and best practices for installation and certification.



## Contact Us

---

For datasheets, pricing, or custom high-speed optical interconnect solutions, please visit:

<https://www.syropy.com.pl>