

Finland IoT SD-WAN Device 40G





Finland IoT SD-WAN Device 40G



Netmore and Digita partner to scale LoRaWAN IoT in

Netmore Group has announced that Digita has selected Netmore's Operator Platform-as-a-Service (PaaS) to expand, optimise and scale its

10 Best SD-WAN Vendors & System Solutions

SD-WANs offer an easy, cost-effective way to unify the networks of a multi-site business. Learn which SD-WANs will get your LANs merged into a



Digita Selects Netmore Platform-as-a-Service to Scale LoRaWAN®

This collaboration significantly expands the IoT capabilities available to businesses in Finland, facilitating seamless integration of digital solutions that promote both economic growth and

Die Europäische Kommission

Hier sollte eine Beschreibung angezeigt werden, diese Seite lässt dies jedoch nicht zu.



Digita Selects Netmore Platform-as-a-Service to Scale LoRaWAN

Digita supports its domestic customers with cost-effective future-proof IoT connectivity and through international roaming cooperation can now easily expand into new markets outside of Finland



HPE SD-WAN Platforms

For network administrators and systems integrators alike, SD-WAN Software and Gateways includes a free mobile application that simplifies the onboarding of branch devices and an SD-WAN orchestrator



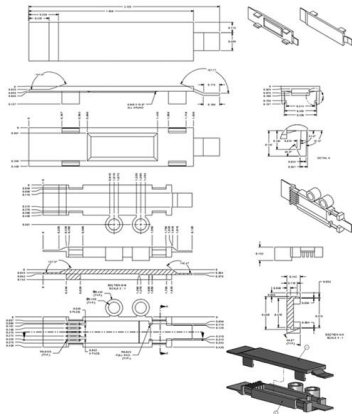
Top IoT companies in Finland

Looking for the best IoT companies in Finland? Here is the top listed internet of things companies in Finland offering a wide range of IoT development services.



How SD-WAN helps Today's IoT

How Does SD-WAN Help Today's IoT? In the era of the internet of things, the proliferation of IoT devices is continually extending enterprise networks. The



Nokia's Nuage Networks creates industry's first SD-WAN solution for

Nokia's Nuage Networks creates industry's first SD-WAN solution for desktop, mobile and IoT devices, partnering with Asavie to meet increasing demands for remote working connectivity New

Nokia and Telia conduct Industry 4.0 trial in Finland leveraging low

Espoo, Finland - Nokia, Finnish operator Telia and Intel have successfully conducted an industrial trial leveraging the ultra-low latency, high-bandwidth capabilities of 5G to support time



SD-WAN contribution to the growth of IoT devices

Zero-touch onboarding means SD-WAN hardware comes with pre-customized deployment settings. This way, the connection between all devices,



For 40Gb/s fiber in Finland, what router could you use to take

It'll need something like a Juniper MX router or a high end server with 40G cards running TNSR.



Fortinet Announces the Most Affordable Secure SD-WAN Appliance

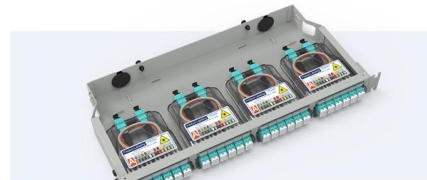
Additional Resources Read more about Fortinet's recent momentum in the SD-WAN market. Learn more about Fortinet's Secure SD-WAN solution. Find out how Fortinet's Security

SD-WAN

Connect dynamic sales offices and temporary pop-up stores to an existing corporate network with agile SD-WAN service. SD-WAN allows you to use both DataNet and internet connections flexibly in the

Pre-Terminated Patch Panel

- Multi-application support
- Flexible configuraton
- Modular design



Cable Gland Plug
28mm Cable Gland Plug



MPO-EC up to 96 cores
MPO direct connection 48 ports



Mounting Bracket
Semi-open mounting holes



The largest SD-WAN network in Finland was built for parishes in

The largest SD-WAN network in Finland was built for parishes in Eastern Finland "Previously, there was no visibility into the network and making changes was not flexible. Now we know at all times what the

What is SD-WAN? In SD-WAN, network management is separated from the customer devices in the offices and centralized into the cloud in accordance with the principles of Software Defined



Digita Selects Netmore Platform-as-a-Service to Scale

Digita selects Netmore's Platform-as-a-Service to enhance and scale its LoRaWAN IoT network in Finland, driving innovation in multiple industry verticals.

What is SD-WAN?

SD-WAN is a software-defined approach to managing the wide-area network, or WAN. Through a centralized interface a cloud-delivered SD-WAN architecture



Cisco SD-WAN: The Crossroads of Enterprise and IoT

Using Cisco SD-WAN to manage your IoT devices opens doors you didn't know existed, between full-stack observability to extending security to the





How SD-WAN Optimizes the Ecosystem That Powers IoT Today

Edge SD-WAN architectures support mission-critical IoT applications, enabling analytics and dynamic resource allocation to optimize and secure applications, services and data locally, and

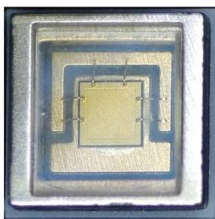


Finland expands LoRaWan network to support IoT

Finnish tech company Digita is working with global LoRaWan network operator Netmore Group to expand LoRaWan network capabilities for the delivery

Sd Wan Router Market by Applications: Denmark , Finland , Poland

Finland SD-WAN Router Market Geographical Analysis Helsinki and Espoo are the primary hubs for SD-WAN deployments, driven by the high density of technology and enterprise firms.



SD-WAN Gartner® Magic Quadrant(TM) 2024 , HPE 7x Leader

Gartner, Magic Quadrant for SD-WAN, Jonathan Forest, Karen Brown, Nauman Raja, 30 September 2024 This Magic Quadrant report was previously known as Magic Quadrant for WAN Edge



LoRaWAN Technology - Data Transmission Network , Digita

PDF file

Fortinet SD-WAN Ordering Guide

The Secure SD-WAN Ordering Guide is a complete reference for choosing and ordering Fortinet SD-WAN solutions. It is designed to support a wide range of deployment needs--from small branch



FortiGate FortiWiFi 40F Series Data Sheet , Fortinet

The FortiGate FortiWiFi 40F series integrates firewalling, SD-WAN, and security in one appliance, ideal for building security-driven networks at distributed enterprise

SD-WAN: What It Is and How It Works

SD-WANs are excellent at supporting the high traffic and diverse needs of IoT devices. An SD-WAN streamlines



Contact Us

For datasheets, pricing, or custom high-speed optical interconnect solutions, please visit:
<https://www.syropy.com.pl>