

Finland Direct Sales of GPON Equipment 2 5G

**Integrated Aluminum Alloy
Die Casting**



Durable and Secure Metal Screws





Finland Direct Sales of GPON Equipment 2 5G



GPON Equipment Market Size, Share, Trends and

The global GPON equipment market size reached USD 25.7 Billion in 2025. By 2034, it will reach a value of USD 73.6 Billion, exhibiting a growth rate (CAGR) of

Europe FTTH GPON Market Size, Share, and Analysis

Data points such as new sales, replacement sales, country demographics, disease epidemiology and import-export tariffs are some of the significant pointers used to



Finland

Finland is a great launchpad to take 5G - and 6G - solutions global. Enabled by the strong network infrastructure and an innovative prospective partner pool, Finland has numerous 5G

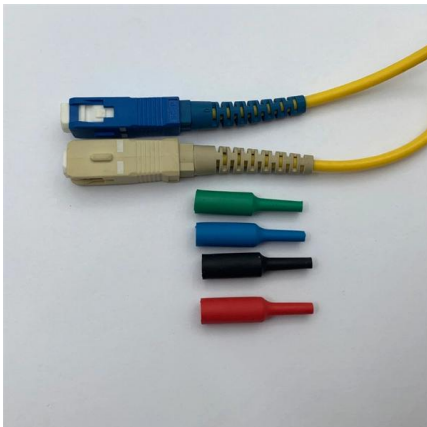
Infonetics: GPON sales forecast up in Europe, down in India and

Infonetics' conclusions appear in its annual GPON Equipment in Key Markets vendor market share and forecast report, which focuses on India, the Middle East, Western Europe, and



Finland Telecom Market- Size, Share, Trends, Growth & Forecast

Finland's telecommunications market demonstrates exceptional resilience and innovation capacity, positioning the country as a leader in Nordic digital infrastructure development.



GPON Equipment Market Become Attractive Amid Low Competition

The GPON Equipment market study is conducted on basis of 200+ companies (leaders as well as emerging regional players) dealing in the market with purpose to understand company's



GPON Companies

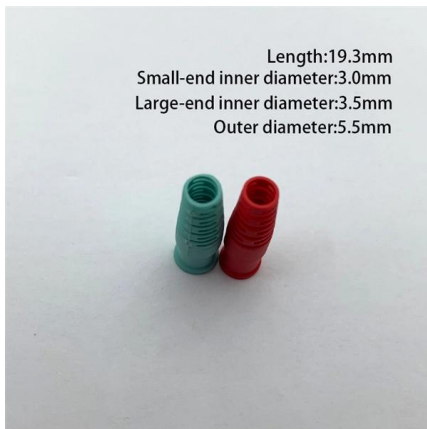
The research insight on GPON Market highlights the growth strategies of the companies. Know the future scenario, forecast, and current trends in GPON.





GPON Equipment Market Research Report 2034

The overall technology transition from 2.5G PON toward higher-speed variants is expected to drive ASP expansion across the board, ensuring above-trend revenue CAGR for the GPON equipment market



Telecommunications operators in Finland - statistics

Mobile network operations are the leading sector for telecommunications operators Finland's telecommunications sector generated

Gigabit Passive Optical Network (GPON) Equipment in the Real World: 5

Gigabit Passive Optical Network (GPON) technology has become a cornerstone of modern broadband infrastructure. It enables high-speed internet, voice, and video services over fiber-optic



Finland 5G A Global Launchpad

Finland's innovators are eager to partner with American firms with complementary capabilities. This makes Finland a great launchpad to take 5G - and 6G - solutions global. Ever

Finland GPON Market (2024-2030) , Trends,



Outlook & Forecast

Historical Data and Forecast of Finland GPON Market Revenues & Volume By 2.5G PON for the Period 2020-2030 Historical Data and Forecast of Finland GPON Market Revenues & Volume By XG-PON



Nokia selected as nationwide supplier of 5G RAN by Elisa Finland

Espoo, Finland - Nokia today announced that it has been selected by leading Finnish mobile operator Elisa as the nationwide supplier of 5G RAN. Nokia, which will provide its AirScale 5G

Finland GPON Market (2024-2030) , Trends, Outlook & Forecast

Historical Data and Forecast of Finland GPON Market Revenues & Volume By Fiber to the Building (FTTB), Fiber to the Curb (FTTC), and Fiber to the Node (FTTN) for the Period 2020-2030



- IP65/IP55 OUTDOOR CABINET
- WATERPROOF OUTDOOR CABINET
- 42U/27U
- OUTDOOR BATTERY CABINET

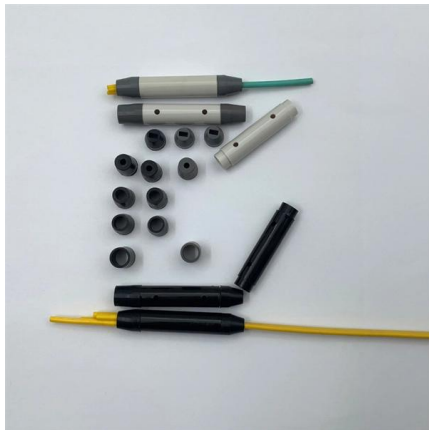
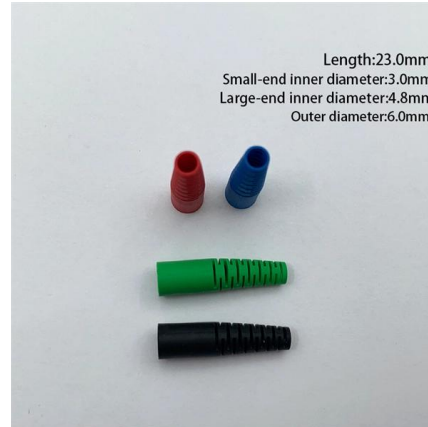
Finland Gigabit Passive Optical Network (GPON) Chipset Market

6Wresearch actively monitors the Finland Gigabit Passive Optical Network (GPON) Chipset Market and publishes its comprehensive annual report, highlighting emerging trends, growth drivers, revenue



Global GPON Technology Market Size, Share, Growth and Report to

The global GPON technology market is anticipated to grow at a significant CAGR during the forecast period (2021-2027).



GPON Companies

High demand for GPON network for triple and quad-play services, increasing demand for high-speed broadband services, advancement in GPON technology, and trial and deployment of 5G network are

ONU manufacturer , Optical fiber network equipment supplier

ONU factory direct sales, FTTH solution provider, your chosen ONU equipment manufacturer, learn more!



Telecommunications in Finland

Telecommunications in Finland Map of Finland, 1920, with telephone and telegraph lines marked. Telecommunications in Finland, as indicated by a 2022 European Commission index, highlight the



GPON Market Size & Share, Statistics Report, 2025 - 2034

By 2034, the 2.5 GPON segment is expected to exceed USD 7 billion due to several key factors. The increasing adoption of cloud services, remote work, and content creation is driving the need for



GPON Technology Companies

Gigabit Passive Optical Network (GPON) technology companies, provide solutions for high-speed fiber-optic communication networks. GPON

Finland Passive Optical Network Equipment Market (2025-2031)

6Wresearch actively monitors the Finland Passive Optical Network Equipment Market and publishes its comprehensive annual report, highlighting emerging trends, growth drivers, revenue analysis, and



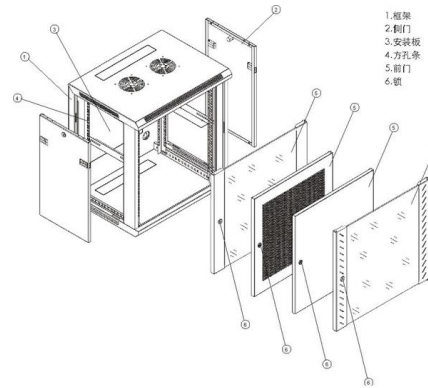
Electronic & Telecommunications Equipment Wholesaling in Finland

Rising penetration of automation in industrial processes is driving sales of equipment that can assist smart business solutions like asset tracking, remote monitoring and automation.



Finland is on top of the world with 5G and Data

Thursday, 17 February 2022 Finland is on top of the world with 5G and Data Consumption Finland's telecommunications market is among the more



GPON Market by Component (OLT, and ONT),

Demand development is driven by the strong demand for triple and quad-play services from the GPON network, growing demand for high-speed broadband

Contact Us

For datasheets, pricing, or custom high-speed optical interconnect solutions, please visit:
<https://www.syropy.com.pl>