

Fiber optic panel needs to be reserved





Fiber optic panel needs to be reserved



The Importance of Fiber Optic Panel Installation: Enhancing

Fiber optic technology has revolutionized the way we transmit data, and at the heart of an efficient fiber optic network lies proper fiber optic panel installation. Whether for commercial

What You Need to Install Fiber-Optic Internet

Let's take a closer look at each one. Locate your fiber network terminal In order to install your own fiber internet, you first need to have an optical



Fiber Optic Cable Installation Process: Connecting Homes

The fiber optic cable installation process, meaning connecting homes with internet service, is becoming increasingly critical and important to understand.

Fiber Patch Panels: A Beginner's Guide , RLH

But now fiber is widely used and can be found almost anywhere. It's probably in your office, on the telephone poles outside your home, and maybe even in your home.



Spectral Evolution Spectrometers and

You can now collect lab-quality data under any condition over the full spectral range of 350nm to 2500nm. With a rugged design, no moving optical parts, and a



Amazon : Fiber Optic Coupler

Discover fiber optic couplers for network connectivity. Find SC, LC, and ST adapters with low insertion loss for reliable connections.



Fiber Patch Panels Guide

A fiber optic splice tray provides a place to shield and protect the fiber cables and the splices. This allows a safe environment to install and upgrade those critical



How to choose fiber optic patch panels?

Fosco Connect offers a 288 fibers 4RU rack mount fiber optic enclosure, loaded with 12 slots duplex fiber adapter panels. This high density patch panel provides a

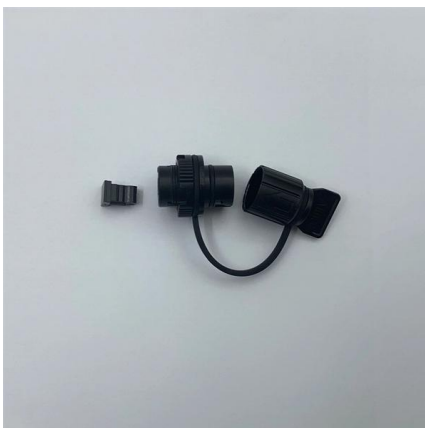


How to Arrange Fiber Optic Patch Panel in Data Center

In modern data centers, where high-speed and high-density connectivity is critical, organizing fiber optic patch panels effectively is essential

The FOA Reference For Fiber Optics

The Fiber Optic Association Fiber To The Home Handbook: For Planners, Managers, Designers, Installers And Operators Of FTTH - Fiber To The Home -



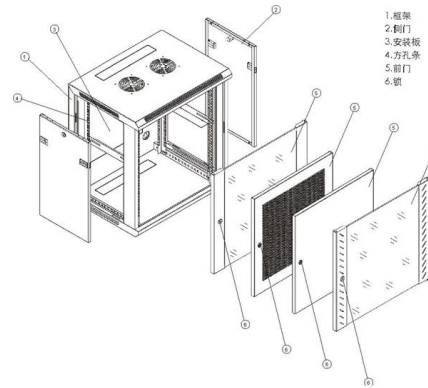
Fiber Optic Patch Panels: Expert Installation Guide

Installing fiber optic patch panels is a nuanced process that blends technical expertise with strategic, data-driven decision making. From the initial site assessment to the final review and documentation,



Fiber Patch Panels: A Beginner's Guide , RLH

A technical guide on choosing the best Fiber Patch Panel to install & terminate fiber optic cable for any indoor/outdoor industrial communication project.



Fiber Optic Patch Panel

A well-installed fiber optic patch panel will keep your network running smoothly and efficiently, supporting your business operations for years to come. Ready to optimize your network with a fiber

What Is A Fiber Optic Patch Panel?

What are the benefits of using a fiber optic patch panel? You can make necessary changes in a single place. With patch panels, connecting



Why Fiber Optic Cable Is Best for Data Centers and

Discover why fiber optic cable is ideal for today's AI-driven data centers and learn five practical steps to deploy it effectively for high performance



DwyerOmega , Shop for Sensing, Monitoring and



Explore DwyerOmega's comprehensive range of industrial sensing, monitoring, and control solutions from thermocouples to pressure transducers engineered for



Amphenol Connectors , Cable Assemblies

Amphenol Communications Solutions (ACS), a division of Amphenol Corporation, is a world leader in interconnect solutions for Communications,



Fiber Optic Hardware , Fiber Panels, Housings, Racks, and

Fiber Optic Hardware Corning has a wide variety of hardware solutions to choose from to fit your cabling needs. Choose from racks, panels, modules, splice trays, ethernet fiber switches and other



Fiber Optic Patch Panel: A Comprehensive Overview for

No, fiber patch panels are only a place for accommodating fiber optic cables and fibers. However, poorly designed or improperly installed patch panels may





The Fiber Optic Association

During cable installation at patch panels, installers need to achieve conformity to the National Electrical Code (NEC). This article presents four guidelines that make



AWS Builder Center

Connect with builders who understand your journey. Share solutions, influence AWS product development, and access useful content that accelerates your growth.

Fiber Optic Patch Panel Guide

Selecting the appropriate fiber optic patch panel in 2026 requires a highly analytical approach to network geometry. Decision-makers must weigh the immediate cost savings of fixed



Fiber Optic Panels

Reserve space for future fiber optic needs with our blank fiber adapter panel. This panel snaps in for easy expansion and compliance with TIA/EIA-568-C.3 standards.

Fiber Optic Patch Panel: 10 Best Options



for 2025 Success

Discover the best fiber optic patch panel options for 2024. Learn how to choose, install, and maintain your fiber network for



What Is a Fiber Patch Panel & Why It's Essential for

A well-designed fiber patch panel improves overall network reliability by creating a stable and organized environment for fiber optic connections. By

Fiber Optic Patch Panel: A Comprehensive Overview for

Fiber patch panels come in various types to meet specific network needs and are widely used in data centers to organize and manage fiber optic cables.



Fiber Panels

Explore CommScope fiber termination panels, including precabled fiber panels and fiber patch panels, including precabled fiber patch panels and fiber distribution



Contact Us

For datasheets, pricing, or custom high-speed optical interconnect solutions, please visit:

<https://www.syropy.com.pl>