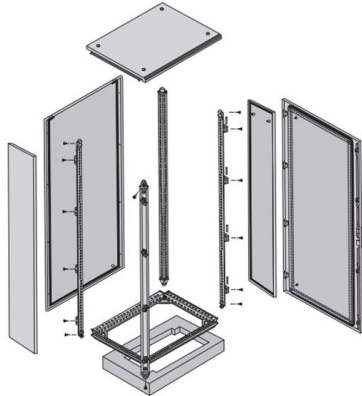


Fiber optic connector closure markings





Fiber optic connector closure markings

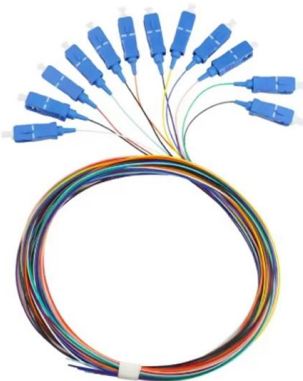


Fiber Optic Cable Color Codes

Fiber Optic Cable And Connector Color Codes. Color codes are used in fiber optics to identify fibers, cables and connectors.

Fibre Optic Cable & Connector Guide

Choices must be made in selecting fibre optic cables and connectors for high-reliability applications. This white paper provides the knowledge for how to make appropriate selections of fibre optic cable and



Fiber Optic Closure Guide , FiberMania

Fiber optic closures protect and organize cable splices, ensuring long-term stability in both outdoor and indoor networks. This guide explains their

Fiber Connector Types: A Comprehensive Guide 2025

Discover the common fiber connector types. Learn the differences, uses, and best practices for SC, LC, ST, FC, MPO/MTP connectors.



Fiber Optic Connectors Explained: Design, Types

Fiber optic connectors, also known as terminations, connect two ends of fiber optic cables. This allows for quickly connecting and disconnecting. Learn



Fiber Optic Connector Types Explained , FiberCablesDirect

Fiber optic connectors are an essential component of any fiber optic network, allowing for the connection and transmission of optical signals between devices.



Optical Communications Products

Browse our optical communication connectivity products designed to help you enable your communication networks. Easily create a bill of materials list.





Optical fiber connector

Optical fiber connectors are categorized into single-mode and multimode types based on their distinct characteristics. Industry standards ensure compatibility



Fiber Color Code: Complete Guide to Mastering

Understand fiber color codes and their meanings in this comprehensive guide. Learn more about outer fiber jacket color, inner cable

Comprehensive Guide to Fiber Connector Types: LC, SC, ST, FC,

Discover the comprehensive guide on fiber connector types including LC, SC, ST, FC, MTP/MPO, and more. Learn about optical fiber termination types, fiber optic cable connectors, and



Fiber Optic Connector Types: A Beginners Guide

The fiber connector types, sometimes referred to as terminations, link fiber optic cables together through terminals, switches, adapters, and patch



Fiber Optic Connectors: Detailed Guide to Types and Uses

Fiber optic connectors might be small, but they play a big role in ensuring fast and reliable data transfers. They link fiber optic cables, allowing data to move quickly

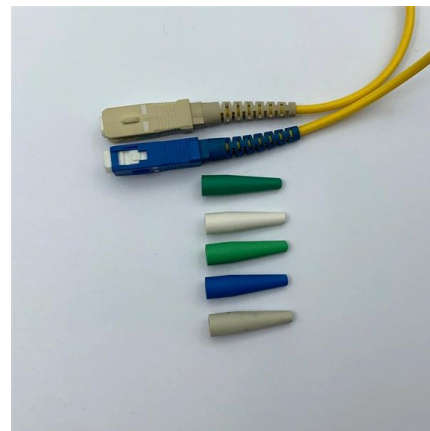


Fiber Optic Closure (FOC2)

This installation manual is addressed to trained staff and requires particular expertise in working with fibre optics, optical cable, tubes, blown fibre cable as well as professional handling with FO

How to Label Fiber Optic Cables: A Complete Professional Guide

Learn how to label fiber optic cables professionally with this complete guide. Discover labeling standards (TIA-606B, TIA-598)



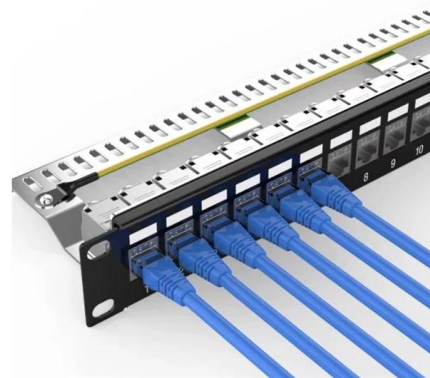
Fiber Optic Closures: A Comprehensive Selection Tutorial

Look for fiber optic closure that provide ample space for splicing optical fibers, easy access to individual splices, and efficient optical cable management. Some fiber



The Ultimate Guide to Fiber Optic Termination: A Technical and

Learn everything you need about fiber optic termination, including connector and splicing methods, essential tools, and best practices for reliable and high-performance networks. Discover



How to Choose the Right Fiber Optic Splice Closure:

Discover how to select the ideal fiber optic splice closure for FTTx, aerial, and underground networks. Compare horizontal vs. vertical types, key

Fiber Connector Types: A Complete Guide (2024)

A fiber connector is a precise coupling device to join fiber cables quickly. This guide introduces LC, SC, FC, ST, MPO, CS and many others.



Fiber Optic Closure Guide , FiberMania

Discover the fundamentals of fiber optic closures -- their types, design features, and how to choose the right one.

The FOA Reference For Fiber Optics



Fiber optic joints or terminations - where cables are terminated - are made two ways: 1) connectors that mate two fibers to create a temporary joint and/or connect the



What is Fiber Optic Closure? Types, Buying Guide

This post provides a introduction to fiber optic closures, their types, features, buying guide, and several popular Gcabling optical closures.

The FOA Reference For Fiber Optics

Fiber optic joints or terminations are made two ways: 1) splices which create a permanent joint between the two fibers or 2) connectors that mate two fibers to



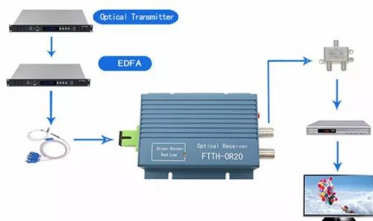
Fiber Optic Cable & Connector Color Codes Explained

Learn fiber optic cable, connector, and jacket color codes to ensure accurate installation, fewer errors, and better network performance.



Fiber Closures Smart design makes your job easier.

How to choose the right fiber closure choosing the right fiber closure for your network. Use the following chart to narrow down your options



Fiber Optic Cable and Splice Closure Solutions , Corning

RocketRibbon® Cable and 2178-XL Closures Our Fiber Optic Splice Closure 2178 family is ideal for our RocketRibbon® and SST-Ribbon(TM) cables. The solution provides excellent system flexibility and

The Ultimate Guide to Fiber Color Code - VCELINK

Fiber Optic Connector Color Code As is known to all, fiber optic connectors can be divided into different types, such as SC, LC, and MPO



Basics of fiber optic closures and selection guide

Good fiber optic closure is able to accept any fiber optic cable specified in the tender documentation. Therefore, it is important to establish cable compatibility before selecting the appropriate type of closure.



Contact Us

For datasheets, pricing, or custom high-speed optical interconnect solutions, please visit:

<https://www.syropy.com.pl>