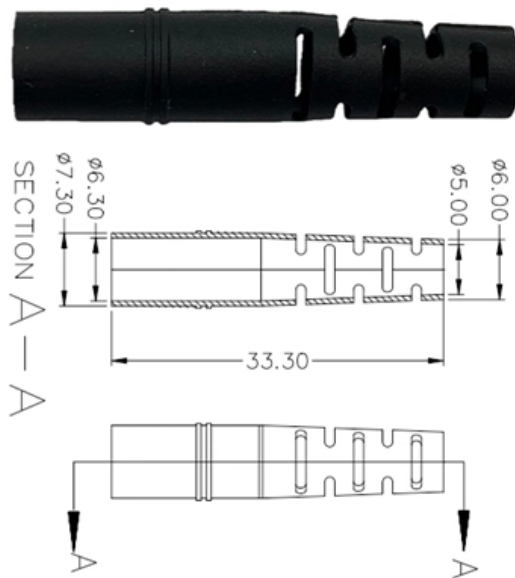
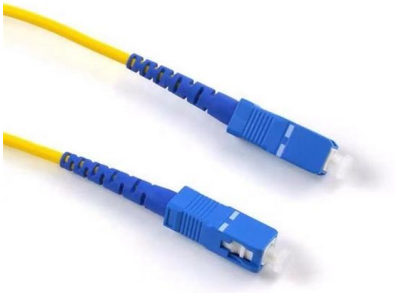


Fiber optic communication UDP





Fiber optic communication UDP



Fiber Optic Communication System : Basic Elements

Basic Elements of a Fiber Optic Communication System For gigabits and beyond gigabits transmission of data, fiber optic communication is the ideal choice. This

How does fiber optics work?

An easy-to-understand introduction to fiber optics (fibre optics), the different kinds of fiber optic cables, and how light travels down them.



Understanding Network Communication: OSI Model vs.

We'll also touch upon UDP (User Datagram Protocol) and its role in this landscape The OSI Model: A Seven-Layer Guide Developed as a theoretical

Fiber optics , Definition, Inventors, & Facts , Britannica

Fiber optics, the science of transmitting data, voice, and images by the passage of light through thin, transparent fibers. In telecommunications, fiber optic



What is the difference between fiber optic and utp?

Fiber optic and UTP (Unshielded Twisted Pair) are two different types of communication cables. Fiber optic cables use thin strands of glass or plastic to



Fiber-Optic Communication

Fiber-optic communication is suitable for long distances, high bandwidth, and high-security requirements. However, it requires a high investment cost and a long time for installation. It fits



Fiber Optics TCP/IP and Data Communications Pocket Guide The

an in-depth, practical coverage of Communications, LANs and TCP/IP topics. Information at an advanced level can be gain d from attendance at one of IDC Technologies Practical Training





User Datagram Protocol

In computer networking, the User Datagram Protocol (UDP) is one of the core communication protocols of the Internet protocol suite used to send messages (transported as datagrams in packets) to other

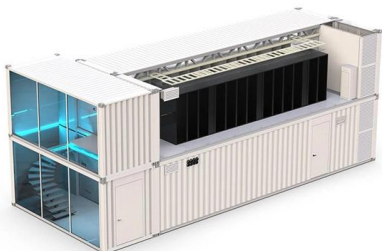


Understanding the Different Types of Data Network Cables

Considerations for Cable Selection Distance: Fiber optic cables are ideal for long-distance communication, while UTP and STP are better suited for shorter distances. Speed Requirements: If

What Is UDP Protocol? , A Complete Networking Guide

Learn what is UDP protocol, how it works in networking, its uses, differences from TCP, port numbers, and examples. Simple guide for IT and



Understanding Fiber Connector Types ST SC LC FC

When working with fiber optic technology, you'll frequently encounter terms like SC UPC, LC UPC, SC APC, LC APC, FC APC, and FC UPC. These designations



What Is Fiber Optics? Definition from SearchNetworking

What is fiber optics? Fiber optics, or optical fiber, refers to the technology that transmits information as light pulses along a glass or plastic fiber.



TCP vs UDP: What's the Difference for Video Streaming?

TCP vs UDP for video streaming explained. Learn which protocol delivers lower latency, when to use each, and how WebRTC and SRT optimize

Optical Fibre Cable

In optical fiber communication, metal wires are preferred for transmission because the signals travel more safely. Optical fibers are also resistant to electromagnetic interference.



Fiber-optic cable

A fiber-optic cable, also known as an optical-fiber cable, is an assembly similar to an electrical cable but containing one or more optical fibers that are used to carry



Optical fiber

An optical fiber, or optical fibre, is a flexible glass or plastic fiber that can transmit light from one end to the other. Such fibers are widely used in fiber-optic



Fiber Technician Pay Jobs, Employment , Indeed

Structured Cable Network Technician [Must Have fiber optics, MPLS,, VoIP, 5G, TCP/IP, UDP, ICMP] Richmond, VA 23219/Onsite 7+ Months
**Candidates must possess a clean driving record (this will

Standards and Protocols in Fiber Optic Communication: A

Learn about the key standards and protocols set by leading international organizations like ITU, IEC, and IEEE that ensure seamless interoperability and high performance in fiber optic



What is User Datagram Protocol (UDP)?

User Datagram Protocol (UDP) is a communications protocol primarily used to establish low-latency and loss-tolerating connections between



Microsoft PowerPoint

8B10B coding is used for fiber optics transmission. Each input byte is separated into a 5-bit field and a 3-bit field that respectively encoded using a 5B6B and 3B4B algorithm.

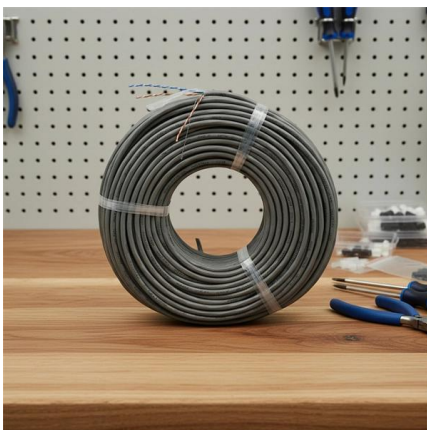


Complete Guide to UTP, STP, and Fiber Optic Network

Whether you are architecting a high-density data center or a distributed enterprise office, selecting the appropriate medium between

When using Fiber optic as a media to transmit Data, is TCP, IP and

In summary, TCP/IP and UDP can be used to send data over fiber optic cables, but their use depends on the specific requirements of the application and the network.



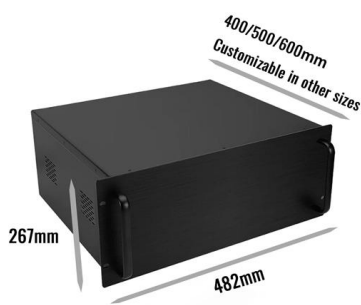
Complete Guide to UTP, STP, and Fiber Optic Network

Network Cable Complete Guide to UTP, STP, and Fiber Optic Network Cables Photo by Gavin Allanwood / Unsplash In the modern digital



Optical Fiber Explained and Demystified

Although these kinds of speeds may not be commercially available today, it proves that fiber-based communication is the best bet we have in terms of providing the



Fiber-optic communication

Optical fiber is used by telecommunications companies to transmit telephone signals, Internet communication and cable television signals. It is also used in other

Fiber-Optic Communication

Fiber optic communication The optical communication system is based on laser diodes as transmitters and photodetector as receiver. The fiber optic cable is constructed from five layers, core, cladding,



Top 6 Advantages and Disadvantages of Fiber Optic

Explore the top 6 advantages and disadvantages of fiber optic cable over copper, such as increased bandwidth, low attenuation, immunity to



Undersea Fiber Optic Jobs, Employment , Indeed

70 Undersea Fiber Optic jobs available on Indeed . Apply to Senior Electrical Engineer, Supervisor, Product Line Manager and more!



Contact Us

For datasheets, pricing, or custom high-speed optical interconnect solutions, please visit:
<https://www.syropy.com.pl>