

Fiber optic cable test without patch cord





Overview

The three standard methods for testing fiber optic cabling are a visible light source, power meter and light source, and optical time domain reflectometer (OTDR). These factors significantly add to the fiber optic network's long-term performance, manageability, and. Fiber optic networks are the backbone of modern telecommunications, providing high-speed data transmission over long distances with minimal loss. You usually won't even see any light while testing, but there are harmful UV rays that are bad for your eyes. Visual inspection It is the most straightforward and the first thing to do when troubleshooting a fiber optic cable.



Fiber optic cable test without patch cord

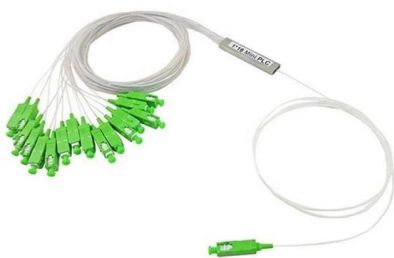


How To Test Fiber Optic Cable Without Tester

To perform this test, cover one end of the fiber optic cable with your hand, and shine a bright flashlight or LED torch into the other end. If light emits from the fiber tip's opposite end, the

Testing The Installed Fiber Optic Cable Plant

There are five ways listed in various international standards from the EIA/TIA and ISO/IEC to test installed fiber optic cable plants. Three of these methods use test



SFP+ Cables

Online shopping. w/24h-delivery, 7Days & Refund Guarantee. CE, RoHS and ISO9001 Certified. SFP+ Cables, QSFP+ Cables, MiniSAS Cables, XFP Cables,

The FOA Reference For Fiber Optics

This test is typically used for terminated patch cords when the loss and reflectance values are required specifications. The method sends light from a source through



How To Test Fiber Optic Cable Without Tester , Hunan Jiahome

Testing fiber optic cables without specialized equipment can be challenging, but there are some methods that can be used to assess the cable's continuity and general condition.



Calculating Fiber Optic Loss Budgets

Calculating Cable Plant Link Loss Budget Loss budget analysis is the calculation of a fiber optic cabling system's estimated loss performance characteristics.



Fiber Optic Patch Cable,Fiber Optic Patchcord US Conec MTP-MTP F

Specifications Durability meets performance in AOFPLUS's MPO MTP 8 fiber patchcord. The US Conec MTP connectors are built to ensure long-term reliability in environments where cables are frequently



How to Test Fiber Optic Cable , Equal Optics

Do you know how to test fiber optic cable? Learn about fiber optic testing methods, tools, and best practices with this comprehensive guide from

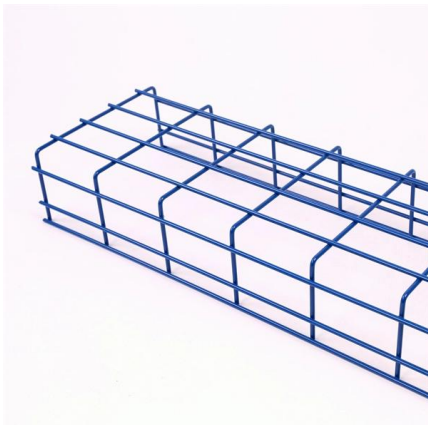


Fiber Optic Cable Testing Methods ,Fluke Networks

Fiber optic testing by Fluke Networks ensures network performance and reliability. Includes signal loss, quality checks, and more.

Optical Communications Products

Browse our optical communication connectivity products designed to help you enable your communication networks. Easily create a bill of materials list.



The FOA Reference For Fiber Optics

Outside Plant Fiber Optic Cable Jump To: Fiber Optic Cable Construction Fiber Optic Cable Types Cable Design Criteria Choosing Cables Cable Types: (L>R):



Fiber Optic Patch Cable, Fiber Optic Patchcord US Conec MTP-MTP F

12 cores F to F MTP fiber optic cable is a high quality optical cable that combines advanced technology with robust construction. Its low loss performance, with insertion loss 0.35dB Max, ensures that



How to Check if Fiber Optic is Working: A

Whether you're a professional or a DIY enthusiast, knowing how to test fiber optic cables is crucial. In this blog, we'll explore different methods, including using a

Cables, Adapters, Fiber, Network Add-ons & Tools , Computer Cable

Cables, Adapters, Fiber, Network Add-ons & Tools
This 20m Multimode Duplex OM4 Fiber Optic Patch Cable (50/125) - LC to LC has ceramic ferrules and a 50/125 micron core, this cable is suitable for



Fiber Optic Cable Testing 101: Tools, Techniques, and

In this article, we explore why fiber optic cable testing is essential, delve into three key testing methods, and explain how to determine the best



FTTH Drop Cable Patchcord G657A1 LZO SC/APC-SC/APC,

FTTH Drop Cable Patchcord G657A1 LZO
SC/APC-SC/APC, 3.0*2.0mm, Non Messenger Wire
Product Overview This Fast Connect drop cable
features an anti-vibration design that enables
plug

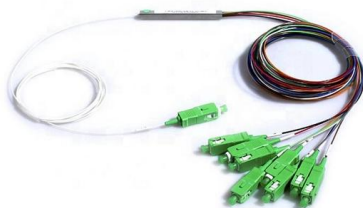


Amazon : Visual Fault Locator

Equip your fiber optic toolkit with a reliable visual
fault locator. Find options with long-range
detection, universal connectivity, and portable
designs.

Fiber Optic Cable Supply , Buy Fiber Optic Products

Shop for fiber optic cables at Cables Plus USA,
leader in fiber optic products supply offering high-
quality products at the best value through our
fiber optic cable



Fiber Optic Patch Cables Selection Page , Shop Now

Fiber optic patch cables (also referred to as fiber
patch cords) have become the backbone of the
fiber optics industry. At Cables Plus USA, we
carry top-rated fiber optic patch cables of
optically pure



Fiber Optic Patch Cable Directory

Are you installing a brand new fiber optic network or repairing a legacy system? Use our fiber optic patch cord directory. It will help you determine what kind of cables you need for the job. Still need help?

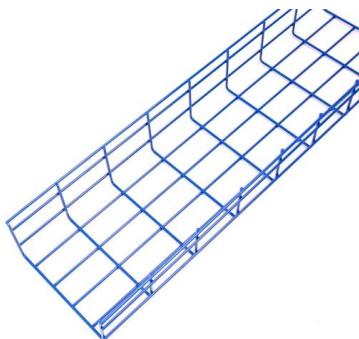


The FOA Reference For Fiber Optics

Fiber Optic Testing Testing is used to evaluate the performance of fiber optic components, cable plants and systems. As the components like fiber, connectors,

How to Test Fiber Optic Cables: 9 Steps

To perform an insertion loss test, buy a testing kit from a fiber optic or IT company. This kit includes an optical source, which fires a signal into the cable, and an optical meter, which reads



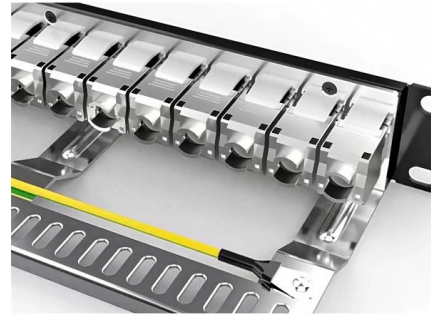
How To Test Fiber Optic Cable: Best Testing Methods

Learn how to test fiber optic cable across every location and get best practices to simplify your next fiber test in this guide by TailWind.



Fujikura 99R Mass Fusion Splicer Kit Set for Ribbon Fiber

Fujikura 99R Mass Fusion Splicer Kit Set for Ribbon Fiber Part# FSM-99R12-GO4KIT-A



Contact Us

For datasheets, pricing, or custom high-speed optical interconnect solutions, please visit:

<https://www.syropy.com.pl>