

Fiber optic cable line kilometers





Overview

Fiber optic cable can be run anywhere from 300 meters up to 80 kilometers (roughly 50 miles) depending on the cable type, transceiver used, and network standard. For most enterprise or data center applications using multimode fiber, the practical limit sits between 300 m and 550 m. Fiber optic cable transmission distance is determined by two primary physical factors that affect signal quality as light travels through the fiber medium. Indicator 1: Transmission network length (Route kilometers) Definition: Transmission network length refers to the physical length of fibre optic cable in a network irrespective of the number of optical fibres contained within the constituent cables of that network (see Indicator 5: Cable.



Fiber optic cable line kilometers



Optical Fiber , Optical Fiber Products , Corning

Optical fiber broadband brings together a culture of innovation, quality, and manufacturing excellence to create life-changing products.

Small Form-factor Pluggable

Small Form-factor Pluggable Small Form-factor Pluggable connected to a pair of fiber-optic cables Small Form-factor Pluggable (SFP) is a compact, hot-pluggable



Home -The Fiber Optic Association

The Fiber Optic Association Inc. (FOA) is the international professional association of fiber optics. FOA is chartered to promote fiber optics through education,

How Far Can Fiber Optic Cable Run: Best Insights 2025

Discover how far can fiber optic cable run, explore cable types, factors, and tips for maximizing network performance.



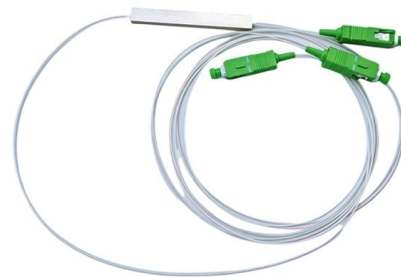
Fiber Optic Cable & Copper Wire Assemblies , ISO 9001

LANshack offers premium fiber optic cable & copper wire assemblies. We have all the components to optimize & install your network!



Fiber Optic Cable Range: Comprehensive Guide

Learn all about fiber optic cable distance and the key factors that affect it. Find out how to select the appropriate cables for your network and



Gigabit Ethernet

1000BASE-T-capable network interface card made by Intel, which connects to a computer via PCI-X There are five physical layer standards for Gigabit Ethernet



The Geopolitics of the Steppe & The Genetic Code of the Middle

While the West was struggling with feudalism, the Seljuks were attracting global capital to Anatolia. ? The actors change, but the stages remain the same. On the ranges where silk and spice

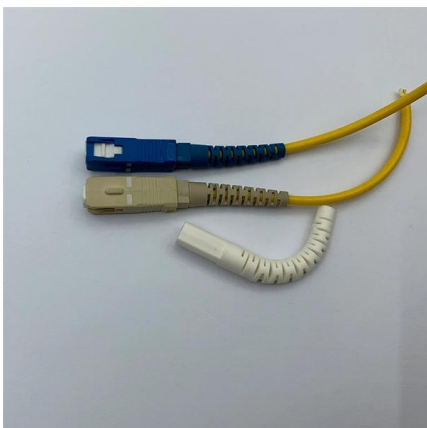


Brazil is becoming one of the most strategically important nodes on

Drew Crawford (@drewcrawford_). 339 likes 13 replies. Brazil is becoming one of the most strategically important nodes on the global internet. Here is why that matters Roughly 95 percent

Link Loss Budget Calculator , Fiber Optic Link Loss Budget

Corning's link loss budget calculator will calculate your total link loss and tell you if your system falls within Corning's recommended guidelines.



How Far Can a Fiber Optic Cable Be Run? Distance Guide

Fiber optic cables can run up to 80 km without a repeater. Learn exact limits by cable type, application, and how to extend your network.

Profiling Long-Distance Urban Near-Surface



Structures with

This study proposes an efficient alternative using mobile, unburied surface fiber-optic cables. Ten temporary DAS experiments were conducted along a 23 km line in Jinan, accompanied

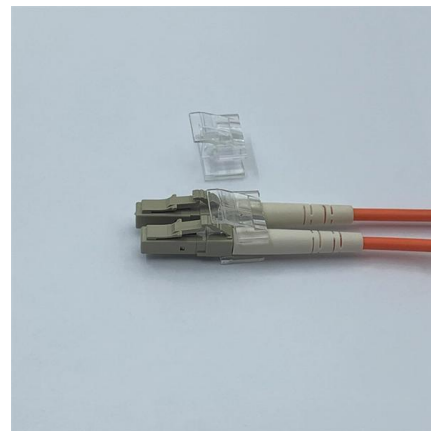


What is Ethernet?

3. 10 - Gigabit Ethernet Speed: 10 Gbps Media: CAT6a, CAT7, and fiber optic cables Supports long distances (up to 10 km with fiber) Widely used in data centers and

How is Fiber Internet Installed? Everything You Need to

Explore how fiber optic internet is installed in your home, with step-by-step details on cables, ONTs, routers, and what to expect during the appointment.



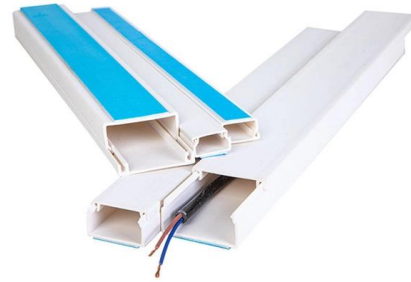
Fiber Optic Cable Range: Comprehensive Guide - TURNSTONE

Using single-mode fiber cable means it can carry a signal up to 100 kilometers (over 60 miles) without serious loss. But the multimode fiber range is shorter, which is usually up to 2



Indicator 1: Cable length

Sometimes operators may report the length of optical fibre in their network by multiplying route kilometres by the number of fibres in each of the constituent cables in their network, to produce the



Fiber Optic Cables How Far Is Too Far

The maximum effective distance a fiber optic cable can work depends on several factors, including the type of fiber, the quality of the cable, the data

Single-mode optical fiber

In fiber optics, a quadruply clad fiber is a single-mode optical fiber that has four claddings. Each cladding has a refractive index lower than that of the core.



Fiber Optic Cable Range: How Far Will It Go? , iTECH2

Fiber optic cables are known for their ability to transmit data over long distances without significant loss of signal. Unlike traditional copper cables, which



Fiber Optic Temperature Sensing and Measurement , Luna

Fiber optic temperature sensors are immune to the many environmental effects that compromise other measurement technologies, can be embedded and installed in



10 Gigabit Ethernet

Optical fiber A Foundry Networks router with 10 Gigabit Ethernet optical interfaces (XFP transceiver). The yellow cables are single-mode duplex fiber optic

Say Goodbye to the Undersea Cable That Made the

History was unmade last year, as engineers began the massive project of ripping the first-ever transoceanic fiber-optic cable from the ocean floor.



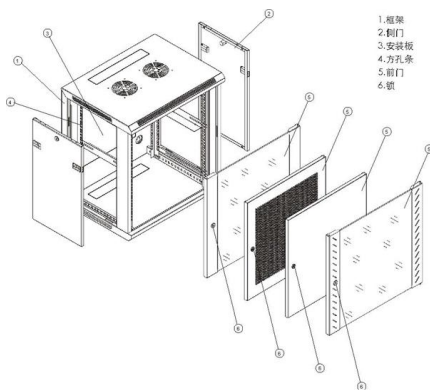
Siemens 6GK1415-2AA10 Dp/As-Interface Link 20(R)Supports V3.0

1000 BaseLX optical SC port for direct connection to the Industrial Ethernet FO cables. Singlemode fiber-optic cable up to 10 km Similar Items Recently Viewed Siemens 7MH49003AA01 SIWAREX



What is the maximum distance for fiber internet?

Discover the maximum distance for fiber internet. Learn about factors affecting range, fiber optic cable types, and technology limitations.

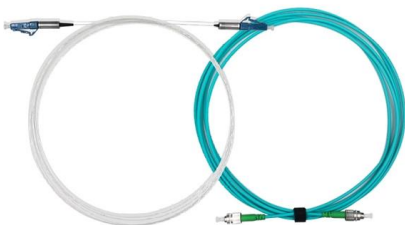


Fiber Optic Cables , Fiber Patch Cables , Patch Cords,

Fiber Patch Cables, Multimode & Singlemode Duplex Fiber Optic Cables, Secure Order Fiber Patch Cords, Preferred Mil. Edu. Gov. Pricing, Same Day Shipping

PRO-LC-LC-MB15M9SMFO1-6 , Industry Standard , Patch Cables

This is a 15m LC to LC Black OS2 Duplex Microboot, Snagless OFNR (Riser-Rated) SMF Outdoor Fiber Patch Cable with 1.6mm OD Jacket. OS2 fiber optic cable is a high-performance single-mode fiber



How Far Can a Fiber Optic Cable Be Run? The Practical

In a perfect, lab-like setting without signal degradation, fiber optics could theoretically transmit data for hundreds of thousands of kilometers.

ITU



Show me range to terrestrial fiber nodes on the map? Show the SAIL subsea cable on the map Is the ITU building in Geneva Switzerland within 10 km of a fibre node?



Optical networks

An optical transport network is a high-speed communication system that sends light signals over fiber-optic cables to move large amounts of data across long

Contact Us

For datasheets, pricing, or custom high-speed optical interconnect solutions, please visit:
<https://www.syropy.com.pl>