

Fiber optic cable laid directly



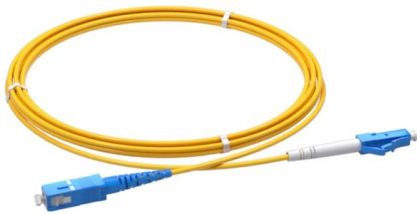


Overview

Direct burial installation involves placing fiber optic cables directly in the ground. These cables must have armored protection against soil movement and rodent damage. Before digging, locate existing underground utilities and secure the necessary permits. Different environments demand different fiber optic cable installation methods: aerial cables strung on poles, direct-buried cables placed underground, submarine cables laid underwater, and indoor or outdoor cables used in specific settings.



Fiber optic cable laid directly



Master Your Fibre Optic Installation: Step-by-Step Best Practices

This comprehensive guide delves into the intricacies of fiber optic installation, exploring topics ranging from cable types and pre-installation considerations to execution, safety protocols,

8 Crucial Fiber Optic Cable Benefits for Business in 2025

Explore the top fiber optic cable benefits, from speed and security to long-term ROI. Learn how fiber can transform your business network.



Indoor and Outdoor Fiber Optic Cable Installation: Key Considerations

Direct burial installation involves placing fiber optic cables directly in the ground. These cables must have armored protection against soil movement and rodent damage.

Fiber-optic communication

Modern fiber-optic communication systems generally include optical transmitters that convert electrical signals into optical signals, optical fiber cables to carry the



Optical ground wire

An optical ground wire (also known as an OPGW or, in the IEEE standard, an optical fiber composite overhead ground wire) is a type of cable that is used in overhead power lines.



Undersea cables are the unseen backbone of the global

Undersea cables, also known as submarine communications cables, are fiber-optic cables laid on the ocean floor and used to transmit data between



The FOA Reference For Fiber Optics -Outside Plant

Typically, optical fiber cables do not carry electrical power, but the metallic components of a conductive cable are capable of transmitting current. When the



Fiber optic cables can eavesdrop on nearby conversations

Fiber optic cables are laid throughout cities to carry internet traffic. Imago via ZUMA Press VIENNA-- Cold War spies planted bugs in walls, lamps, and telephones. Now, scientists warn, the



Industrial Armored Fiber Optic Cables , Networking

Explore industrial armored fiber optic cables designed for harsh environments. Learn about their construction, applications, installation.

How to Choose Outdoor Fiber Optic Cable?

Direct-buried fiber optic cables are laid directly in the soil without the need for supporting duct protection. Main type include GYXTW53, GYFTY53, GYTY53, GYTA53 or etc.



FOA Standard For Installing Fiber Optic Cable Plants

High Fiber Count Cables: High fiber count cables are flexible ribbon cables which generally have 864 fibers, 1728 fibers, 3456 fibers or up to 6912 fibers. These cables are not designed for pulling but are



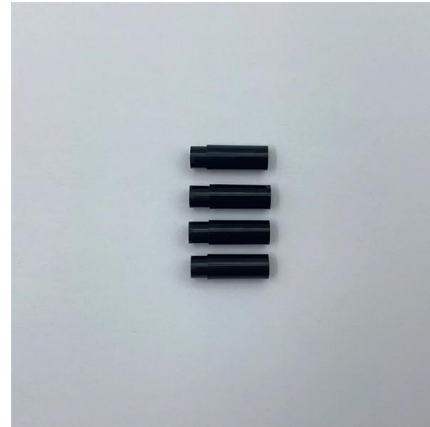
A Step-by-Step Guide to Fiber Optic Cable Installation

This beginner-friendly guide will walk you through the step-by-step process of fiber optic cable installation for each method,



Laying fibre optic cables

Often, fibre optic cables are laid at a depth of 30-60 centimetres, but in practice this is not sufficient to protect the cables from potential damage. Such damage is caused, for example, by trench cleaning



India's fiber-optic revolution -- Weaving a web of influence

Still, Big Tech's willingness to invest directly forces a rethink of pricing and partnership models. Traditionally, Indian telcos have followed a capital



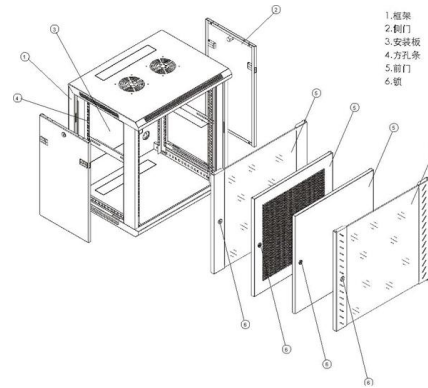
Safeguarding Subsea Cables: Protecting Cyber Infrastructure amid

Subsea fiber-optic cables, a critical information and telecommunications technology (ICT) infrastructure carrying more than 95 percent of international data, are becoming a highly



Outdoor Fiber Optic Cable Types: Complete Guide

This article summarizes the major outdoor fiber optic cable types and their distinguishing features. You can identify them with images.

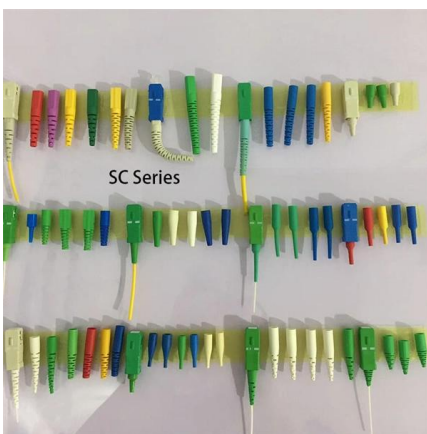


Fiber Optic Cables

Careers Contact Home Fiber Optic Cables Fiber Optic Cables Capability Capable of manufacturing versatile categories fiber optic cable and its accessories that

How to Protect Fiber Optic Cables - A Beginner's Guide

Fiber optic cables are widely used in modern optical networks, and knowing how to protect fiber optic cables is a basic but often overlooked part of daily operation. They connect optical



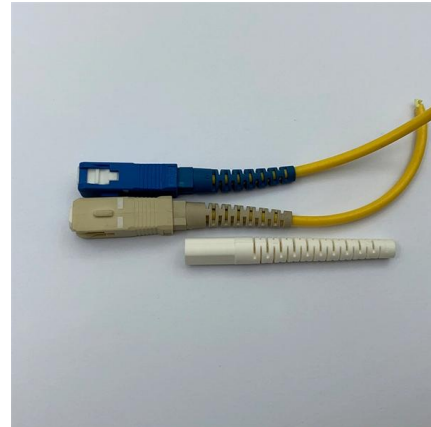
Laying the Foundation: Direct Buried vs. Ducted Fiber for Robust

In today's hyper-connected world, reliable fiber optic infrastructure is the backbone of progress. From smart cities to remote work capabilities, the quality of our fiber deployment directly

Laying the Foundation: Direct Buried vs. Ducted Fiber for Robust



By Vinayak Shenoy, Telecom, Security & ELV Design Lead. In today's hyper-connected world, reliable fiber optic infrastructure is the backbone of progress.



Optical Fiber Cable Installation Guideline

In order to effectively pull cable without damaging the fiber, it is necessary to identify the strength material and fiber location within the cable. Then, use the method of attachment that pulls most

Underground (UG) FO Cable Installation Solution

Unlike traditional copper cables, fiber optic cables require specific handling and techniques during installation. This guide delves into the meticulous installation of



5-INCH COLOR TOUCHSCREEN

Intuitive operation, easily accessible with just one touch



Google to build first subsea fiber-optic cable connecting

Google is set to build Umoja, the first subsea fibre optic cable connecting the continents of Africa and Australia.



Fiber-optic cable

A fiber-optic cable, also known as an optical-fiber cable, is an assembly similar to an electrical cable but containing one or more optical fibers that are used to carry

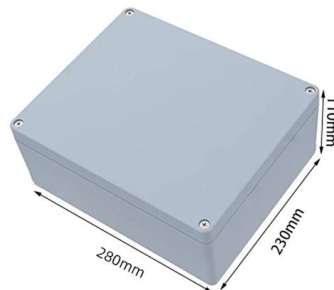


Can fiber be direct buried?

The short answer is yes, fiber optic cable can typically be directly buried but there are general concerns that need to be assessed. There are a few key factors that

Essential Installation Techniques for Optical Fiber Cables

Discover the essential installation techniques for optical fiber cables, including trenching, direct burial, aerial, and indoor methods. Learn about



Contact Us

For datasheets, pricing, or custom high-speed optical interconnect solutions, please visit:
<https://www.syropy.com.pl>