

Fiber optic cable and wireless router connection cable





Fiber optic cable and wireless router connection cable



Can I Connect a Fibre Optic Cable to Wireless Router?

No, you typically cannot plug a raw fiber optic cable directly into a standard wireless router. Most consumer-grade routers do not have a built-in fiber

Cable Internet Providers in Your Area by Zip Code

Compare the speeds and prices of cable internet providers in your area. Find the best deal for you and get connected today!



Home

From Fiber Optic to Copper Cables, from the most innovative products to the smartest solutions, from industries such as Broadcast or Enterprise to Industrial

The FOA Reference For Fiber Optics

Fiber Optic Network Design Jump To: The Communications System Cabling Design
Choosing Transmission Equipment Planning The Route Choosing Components



Comms Express , Top Supplier of Network Cables, Data & Server Racks

Complete network supplies specialists providing all types of business solutions, including server & data racks, network cables, & cabinets. Order online today.

DSL vs. Fiber vs. Cable vs. 5G Home Internet

Do you know the difference between DSL internet, fiber internet, cable internet, and fixed wireless (5G Home Internet)? Here's a quick breakdown of



Fiber Optic Cable & Copper Wire Assemblies , ISO 9001

LANshack offers premium fiber optic cable & copper wire assemblies. We have all the components to optimize & install your network!



8 Reasons Why Your Internet is Slow (and



How to Fix It)

Having a slow internet connection can be frustrating. Here are eight potential reasons why your internet is running slowly, plus how to speed it back up.



PRODUCT CATEGORY				
Open rack Series	Open Rack	12U Apert open rack	18" Deep Wall rack	Adjustable Depth Open rack
Wall mount rack Series	Glass door Wall mount rack	Mesh door Wall mount rack	Double section Wall mount rack	Economic type Wall mount rack
Floor standing server rack	Glass door with casters	Mesh door with casters	42U Standard Server rack	Double open door Server rack
Outdoor cabinet	A/C conditioner Outdoor cabinet	Outdoor cabinet with plinth	Outdoor cabinet with fan cooling	Double Wall Outdoor cabinet
Splitter series	Bare Fiber Splitters	Blackless Fiber Splitters	ABS Splitter	Fanout Splitters
Splitter series	LSX Splitters	Rack Mount Splitters	Mix Plug-in Type Splitter	Tray Splitters
Patch cord series	LC	SC	FC	PLC
FTTH product series				

How to Connect a Fiber Optic Cable to a Router

Setting up a fiber internet connection requires understanding key hardware components and following a specific connection sequence to establish your home network. This guide details the

How to Connect Fiber Optic Cable to Router: Top 5

By understanding these components and following these steps, you can successfully connect your fiber optic cable to both Ethernet and wireless



How to Connect Fiber Optic Cable to Router: Complete

By following this detailed guide, you've not only learned how to connect fiber optic cable to router properly but also how to optimize and maintain



Optical Communications Products

Browse our optical communication connectivity products designed to help you enable your communication networks. Easily create a bill of materials list.



Submarine communications cable

7 - Petroleum jelly 8 - Optical fibers Submarine cables are laid using special cable layer ships, such as the modern René Descartes , operated by Orange Marine.

Fiber Optic Internet Installation Guide , Verizon Business

Follow our fiber optic internet installation guide for businesses and set up high-speed connectivity with ease. Ensure a smooth transition to fiber. Learn more now!



How to connect a fiber optic cable to the router

Connect the fiber optic cable to the router: Carefully insert the end of the fiber optic cable into the corresponding port on the router. Make sure the connection is tight to avoid connection



How to Connect Fiber Optic Cable to Router: Step-by

Master connecting a fiber optic cable to your router with tips, setup instructions, and configuration for optimal internet connectivity.



Get High Speed Fiber Internet, Starting at \$30/Month

How does fiber internet differ from traditional internet? Fiber internet uses light signals through fiber-optic cables, providing faster and more reliable connections

Cables

Buy cables, fiber optic cables, Cat6 cables, Cat5 Cables, ethernet cables, power cords, patch cables, HDMI and custom cables. Shop for cables.

Motor protection controller



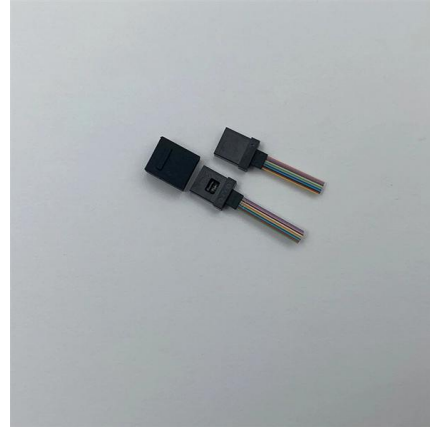
Fiber to the x

Fiber to the x (FTTX; also spelled "fibre") or fiber in the loop is a generic term for any broadband network architecture using optical fiber to provide all or part of the



Transmission Media in Computer Networks

Transmission media refers to the physical or wireless communication channel used to carry data signals from one device to another within a computer



Fiber vs. Cable: What is the Difference? , AT& T Internet

A router provides internet connectivity, and fiber-optic routers are designed to maintain high-speed data transmission. Usually, your internet service provider will

How To Connect Fiber Optic Cable To Router?

Once everything is properly connected and configured, your router will distribute the fiber optic internet to your devices either via Ethernet cables or through a Wi-Fi connection.



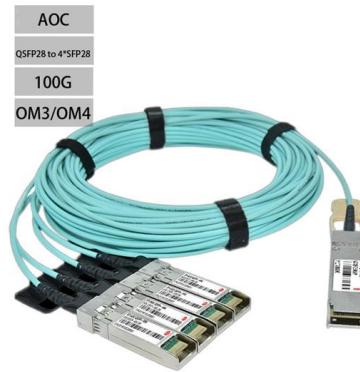
Small Form-factor Pluggable

Small Form-factor Pluggable Small Form-factor Pluggable connected to a pair of fiber-optic cables Small Form-factor Pluggable (SFP) is a compact, hot-pluggable



How to Connect Fiber Optic Cable to Router: A Step-by-Step Guide

Connecting a fiber optic cable to a router might seem daunting at first, but with the right tools and a bit of patience, it's a straightforward process. Here's a step-by-step guide to help you through it.

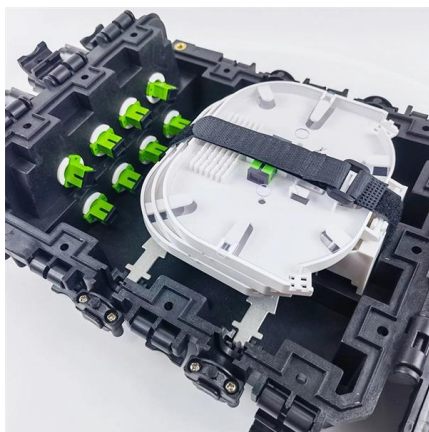
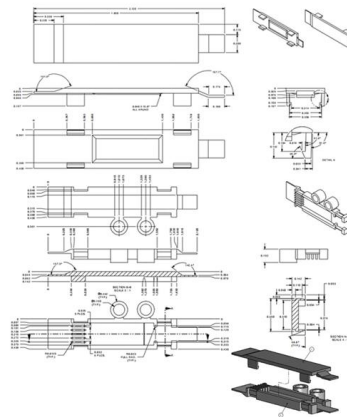


How to connect fiber optic cable to router?

First, plug one end of the fiber optic cable into the transceiver and the other end into the fiber optic network. Then, connect an Ethernet cable from the

Compare Fiber Optic Internet Providers In Your Area

Fiber, DSL, and cable all transmit internet signals in a similar way: They carry binary signals (computer language) through cables over long distances. However, while



ONT What is it and how is it used in a fiber network?

Learn what an ONT is, how it connects fiber Internet to your home, and what to use instead if you have cable Internet. Explore fiber vs. cable options here.

The 8 Must-Have Items of Equipment You



Fiber optic cables are the critical infrastructure that delivers high-speed internet directly to your home. They're the reason fiber internet is faster



AFL

AFL is a leading provider of fiber optic solutions for broadband networks, data centers, energy infrastructure, and other applications. We offer a wide range of

Contact Us

For datasheets, pricing, or custom high-speed optical interconnect solutions, please visit:
<https://www.syropy.com.pl>