

Fiber Optic Ring Network Cabinet Maintenance



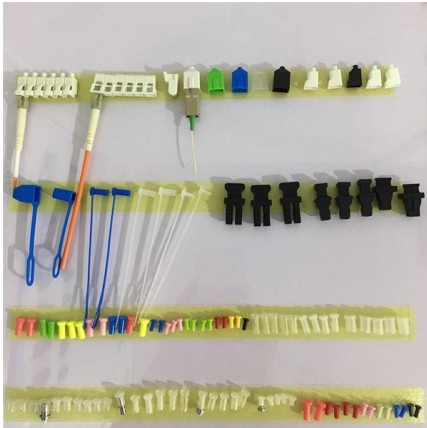


Overview

Monthly Maintenance: Randomly inspect fiber optic cable connections, test backbone fiber optic link attenuation, and clean connector end faces. Fibre loops, also known as fibre rings, refer to a network setup where each node or building connects to the next in a loop formation using fibre optic cables. This circular arrangement creates a highly efficient, high-capacity network architecture with several notable advantages. A single dust particle on the core of a fiber can cause signal loss and reflection resulting in high error rates and lowered overall network performance. This article, drawing on FiberMania's practical experience in fiber optic product manufacturing and customization services, systematically discusses how to build a secure, stable, and sustainable data center fiber optic infrastructure from four aspects: fiber optic connection loss control.



Fiber Optic Ring Network Cabinet Maintenance

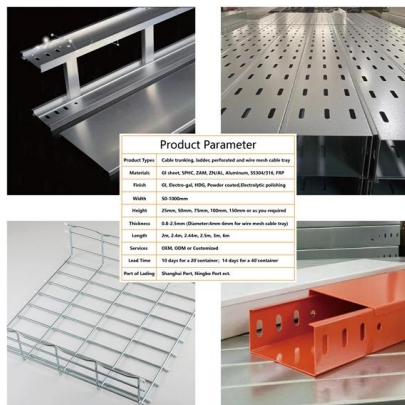
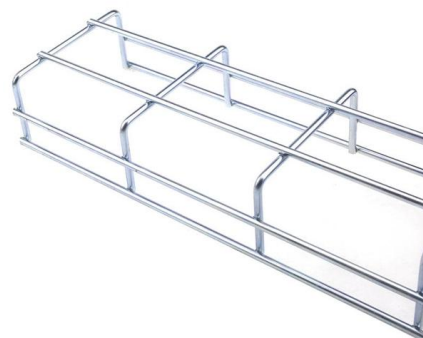


Maintaining Your Fiber Optic Network: Tips for Long

Fortunately, maintaining fiber optic cables doesn't have to be complicated. With these simple tips, you can keep your network running smoothly

15 BEST PRACTICES FOR DATA CENTER FIBER-OPTIC CABLING

Optimize data center cable installation with this FREE guide from CABLExpress! Learn best practices for labeling, service loops, and more. Download now!



Product Parameter	
Product Type	Cable Tray, Cable Tray, Cable Tray, Cable Tray
Material	Q235, Q355, SUS304, SUS316L, Aluminum, 6063-T5, FRP
Finish	GI, Electro-gal, HDG, Powder coated, Electrolytic polishing
Width	50-1500mm
Height	20mm, 30mm, 35mm, 40mm, 50mm, 60mm, 70mm, 80mm, 90mm, 100mm, 120mm or as you required
Thickness	0.8-2.0mm (Standard) or as you required (for wire mesh cable tray)
Length	2m, 2.4m, 2.6m, 2.8m, 3m, 3m
Services	ODM, OEM or Customized
Lead Time	10 days for a 20' container; 15 days for a 40' container
Port of Loading	Shanghai Port, Ningbo Port etc.

Fiber Optic Cabinet Maintenance And Cleaning Methods

This article will provide a detailed explanation of the importance of fiber optic cabinets, maintenance precautions, cleaning methods, and common problem handling, helping you to fully

Compact Switch Module CSM 1277

In order to protect plants, systems, machines and networks against cyber threats, it is necessary to implement - and continuously maintain - a holistic, state-of-the-art industrial security concept.



Fiber Optic Ring Network Design Explained: Topologies,

Learn how to design a fiber optic ring network with practical diagrams, topologies, and switch setup tips. Explore ring network switch options for

Using a fibre ring topology to ensure resilience in the

One approach that has proven effective in achieving these goals is using a fibre ring topology by running multiple redundant geographically different fibre paths to the



Home

Passive Optical LAN speeds IT productivity, reduces network vulnerability, while right-sizing capacity thus modernizing fiber-based connectivity.



Reliable networks with fibre-optic cable: all information

Reliable networks with fibre-optic cable: all information for planning, installation and maintenance Data streaming, AI applications and video



Rear of the optical fiber distribution box



Preventive Maintenance of Fiber Optic Cables and Optics

OF FIBER OPTIC CABLES AND OPTICS cable and the inner surface of an optical module lens surfaces that should be properly cleaned and maintained to reliability and system performance. Small oil micro

Best Practices for Managing Fiber in Rack and Wall Mount Enclosures

Learn how to properly organize, route, and protect fiber inside rack and wall mount enclosures while maintaining airflow and accessibility for maintenance.



Fiber ring topology provides both distance and resilience

Fiber ring topology provides both distance and resilience Posted on May 22, 2012 by Meghan Damico Although Ethernet is usually thought of as having a star topology, it's also possible



Network Cabinet Essentials: Organizing Your Network

Cabinet example (Wall Mounted 12U) The Role of Network Cabinets in IT Infrastructure In modern IT infrastructure, Network Cabinets play a crucial



Essential Preventative Maintenance Tips for Fiber

If you'd like to set up a regular maintenance and cleaning schedule



How to build a redundant fiber optic ring

How to Neatly Manage and Organize Network Cables Inside a Rack Cabinet

How to Neatly Manage and Organize Network Cables Inside a Cabinet? Here is the ultimate tutorial? COBTEL is the global leading cabling products' manufacturer.

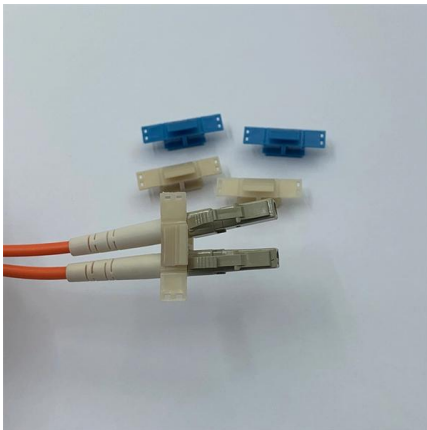


Considerations in the Selection of Enterprise & Data Center Fiber

Splicing is commonly used in many enterprise and data center fiber networks and the ease at which the fiber cabinet supports this connection method is important.



Solved: Hello everyone. I would like to connect 10 buildings with a redundant fiber optic ring and have a control room connect to the closet building in the ring to receive data from our process



Network Maintenance and Upgrades

Emergency Response: When an unexpected issue arises, such as a fibre optic cable break or a damaged street cabinet due to an accident, it is vital to have a reliable and prompt emergency

Best Practices for Fiber Optic Network Optimization

Learn best practices for fiber optic network optimization to ensure high performance, reliability, and scalability. Explore planning, installation,

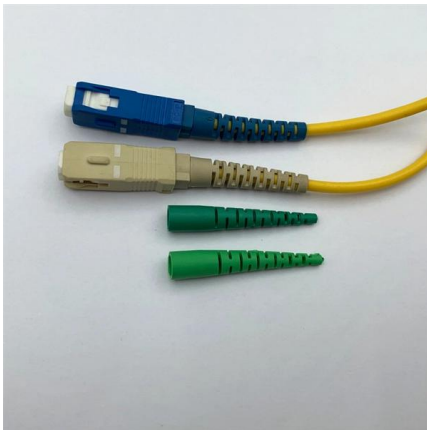


What is a Fiber Ring & its Advantages

Fiber rings refer to configurations or architectures used in fiber optic networks, often employed in telecommunications to ensure high-speed data transmission with

Preventive maintenance for fiber-optic

"Research we have conducted with network owners and installers has pointed to contamination as the number-one reason fiber links fail." "We

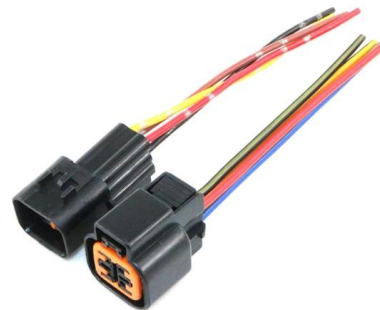


A Guide to Server Rack Cable Management for Fiber

A successful fiber network requires a well-built infrastructure based on a strong server rack cable management system. Management of fiber cables has

Maintenance Practices: Fiber Optic Stability , FiberMania

This article, based on FiberMania's extensive experience in fiber optic product manufacturing and OEM customization, explores practical strategies for



The FOA Reference For Fiber Optics

Some people have suggested that fiber optic networks need periodic maintenance, including microscopic inspection of connectors and mating adapters and even



Fiber Ring 2026

A fiber ring is a network topology that connects multiple locations in a circular configuration using fiber optic cables, creating a self-healing communications loop. This architecture provides redundant



Contact Us

For datasheets, pricing, or custom high-speed optical interconnect solutions, please visit:
<https://www.syropy.com.pl>