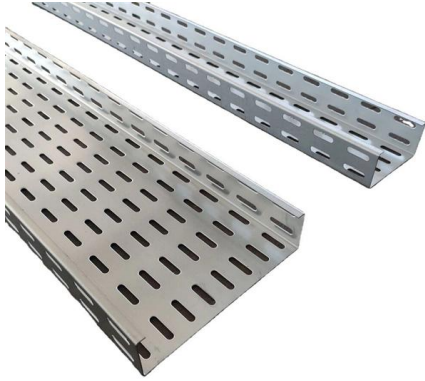


Fiber Optic Patch Cord Interface Classification





Fiber Optic Patch Cord Interface Classification



Classification and Instruction for Use of Fiber Optic

In Need of a high-quality Fiber Optic Patch Cord
The fiber optic patch cord is a unique product with a ton of advantages that make them appealing in

A Comprehensive Guide to Fiber Optic Patch Cables

Fiber optic patch cables are found almost everywhere; cable television networks (CATV), data centers, computer networks, and telephone networks. Fiber optic



Common Types of Fiber Patch Cords and How to Choose the Right

Introduction Thanks to the fiber optic technology, we are running at a faster speed and are connected through advanced technology. Seamless and quick communication among users is

What is the performance and classification of fiber optic patch cords

(3) Temperature General requirements, fiber optic patch cords must be in $-40^{\circ}\text{C} \sim +70^{\circ}\text{C}$ temperature can be used normally. (4) Plugging and unplugging times The current use of fiber optic



Understanding Fiber Patch Cord Types

In this comprehensive guide, we will explore different fiber patch cord types, their features, applications, and how to choose the right one for your project.



Ultimate Guide to Fiber-Optic Patch Cables: Types, Selection, and

Learn about fiber optic patch cables, their types, construction, applications, and how to choose the right one for your network needs.



A Comprehensive Guide to Optical Patch Cords Types

Optical patch cords, also known as fiber optic jumpers, are indispensable in linking optical devices and ensuring efficient data transmission.





Patch Cord Types: Explore the Diversity of Connectivity

These classifications help ensure that the right fiber optic patch cord is selected to meet the specific needs of a given application or network. In the



Classification and Instruction for Use of Fiber Optic Patch Cord

II. Instruction for use of fiber optic patch cord
Fiber optic patch cord refers to that connector plugs are installed at both ends of the optical cable to realize the active connection of the

Types of fiber Optic Patch Cords' Interfaces and Their

I. Classification of connectors of fiber optic patch cords
1. FC fiber optic patch cord: The external strengthening method is a metal sleeve, and the fastening method is



Fiber Optic Patch Cords Guide , Types, Connectors

This guide will help you quickly understand the main types of fiber patch cords and how to choose the right solution for your project - and how ZION



Fiber Optic Patch Cord Types

Learn about fiber optic patch cord types--MPO, LC, SC, FC, ST--plus key features and uses to optimize your network setup. A detailed guide

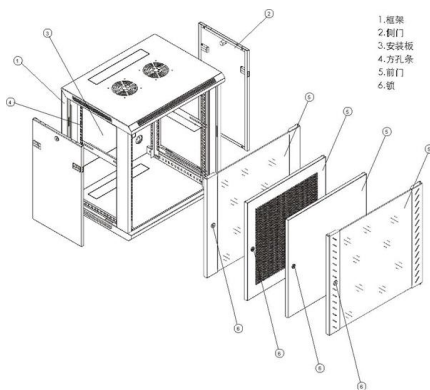


Fiber Patch Cables Explained 2025: Types, Connectors,

Introduction: why fiber patch cables matter? In a modern data center, every high-speed optical link depends on the right fiber patch cable. These short

Fiber Patch Cord Types: How to Choose the Correct One?

Are you perplexed about various fiber optic patch cables due to different characteristics. Let's talk about all things about fiber optic patch cables.



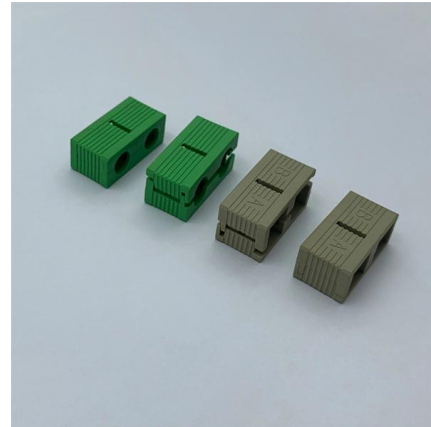
Types of fiber Optic Patch Cords' Interfaces and Their

MTRJ type fiber optic patch cord consists of two high-precision plastic molded connectors and fiber optic cables. The outer parts of the connector are precision

Fiber Patch Cables Explained 2025: Types, Connectors,



Choosing the wrong type of patch cable can cause signal loss, downtime, or higher costs. This guide explains what fiber patch cables are, their



All Kinds of Fiber Optic Patch Cords - SC, LC, FC, ST

Learn about SC, LC, FC, and ST fiber optic patch cords, their uses in FTTH, telecom, and data centers, and how to choose the right type.



SOPTO

A deep-dive into the technology of fiber patch cords. Learn about Single-mode vs. Multimode, LC/SC/MPO connectors, UPC/APC polish types, and critical selection criteria for high



Detailed Explanation of FC, ST, SC, and LC Fiber-Optic Interfaces

What are the classifications of optical fiber patch Cables? 4.1 AcCabling to different optical fiber connectors, common optical fiber patch Cables can be divided into: FC-FC, FC-ST, SC





Types and characteristics of fiber optical patch cord , Sopto

Fiber optical patch cord usually refers to the optical fiber with connection ports at both ends, which is mainly used between equipment and equipment to play the



Understanding Fiber Patch Cord Types

A fiber optic patch cord --also known as a fiber jumper--is a fiber cable terminated with connectors on both ends. These connectors allow quick connection between optical equipment such as switches,

Fiber Optic Patch Cord Types

Fiber optic patch cables can be divided into simplex and duplex fiber optic patch cords according to the working mode of the interface. Simplex fiber



The Ultimate Guide to Fiber Optic Modules and Patch Cords:

Fiber optic technology is the backbone of modern high-speed communication networks, yet selecting the right modules and patch cords can be daunting. This guide demystifies fiber optic standards,



Fiber-optic patch cord

A fiber-optic patch cord is a fiber-optic cable capped at each end with connectors that allow it to be rapidly and conveniently connected to telecommunication equipment.

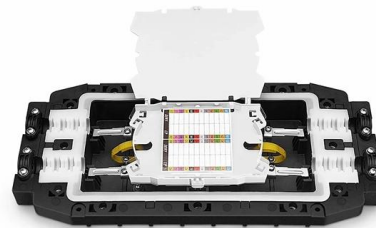


Fiber-optic patch cord

Classification FC-APC/FC-PC patch cords Patch cords are classified by transmission medium, connector construction, and construction of the connector's inserted core cover.

Interface Types for Fiber Optic Patch Cords

Fiber optic patch cord connectors are classified into single-mode and multimode connectors for commonly used silica-based fiber optics, as well as connectors for



A Breakdown of Fiber Optic Patch Connectors and Their

A comprehensive guide to fiber optic connectors including FC, SC, LC, ST, and MPO/MTP types.



Fiber Optic Cable Types Explained: Choosing the Right

Fiber Optic Patch Cable Types and How to Choose the Right One? Fiber optic cables come in various types based on different specifications and



Contact Us

For datasheets, pricing, or custom high-speed optical interconnect solutions, please visit:
<https://www.syropy.com.pl>