

Fiber Optic Communication Version





Overview

Optical fiber is used by telecommunications companies to transmit telephone signals, Internet communication and cable television signals.



Fiber Optic Communication Version



Fiber-Optic Communication Systems , Wiley Online Books

Discover the latest developments in fiber-optic communications with the newest edition of this leading textbook. In the newly revised fifth edition of Fiber-Optic Communication Systems,

Fiber Optic Cable Types Explained

Our comprehensive guide to types of fiber optic cables. Learn all about the differences between single mode and multimode cables, as well as the various

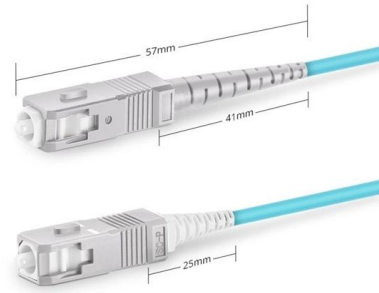


Light Reading

Light Reading is the leading source of news analysis for communications industry professionals.

Undersea cables are the unseen backbone of the global

Undersea cables, also known as submarine communications cables, are fiber-optic cables laid on the ocean floor and used to transmit data between



Simplex SC UPC

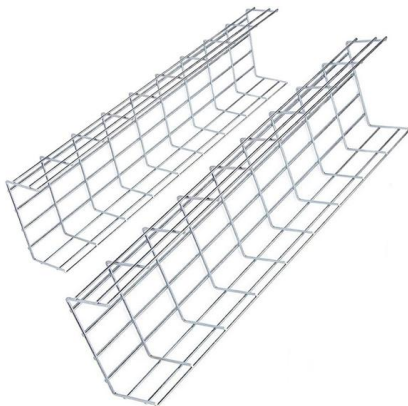
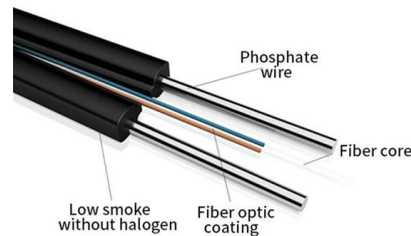


Optical fiber

An optical fiber, or optical fibre, is a flexible glass or plastic fiber that can transmit light from one end to the other. Such fibers are widely used in fiber-optic

Fiber-Optic Communication Systems , Wiley eBooks , IEEE Xplore

In the newly revised fifth edition of Fiber-Optic Communication Systems, accomplished researcher and author, Dr. Govind P. Agrawal, delivers brand-new updates and developments in the science of fiber



Fiber Optic Cable Types Explained: Choosing the Right

Fiber Optic Patch Cable Types and How to Choose the Right One? Fiber optic cables come in various types based on different specifications and



Standards and Protocols in Fiber Optic Communication: A

Learn about the key standards and protocols set by leading international organizations like ITU, IEC, and IEEE that ensure seamless interoperability and high performance in fiber optic



Fiber Optic Cables , Corning

Corning's invention of the first low-loss optical fiber ignited the critical spark that began a communications revolution that forever changed the world. Today, there

AFL

AFL is a leading provider of fiber optic solutions for broadband networks, data centers, energy infrastructure, and other applications. We offer a wide range of



Fiber-Optic Communication

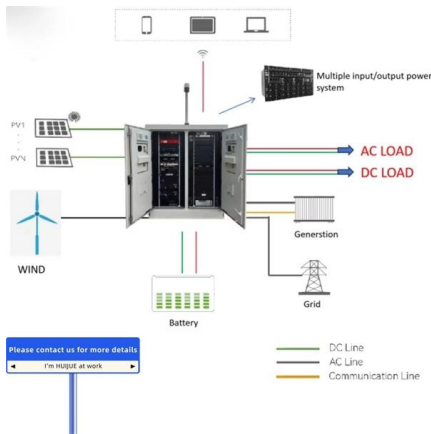
Fiber optic communication (FOC) is defined as a communication infrastructure that utilizes optical fibers to provide reliable data transmission with strict Quality of Service and nearly unlimited bandwidth,

Centerline hiring Fiber Optic Technician in



Cleveland, GA , LinkedIn

Posted 9:05:41 PM. As a Fiber Optical Splicing Technician, you will be responsible for the installation, splicingSee this and similar jobs on LinkedIn.



Fibre optics and optical communications

Atom RSS Feed Fibre optics and optical communications is the use of thin strands of glass for sending information encoded into light over long distances.

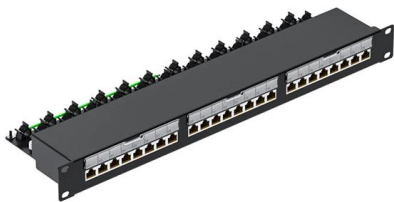
WORLD WIDE WEB JOURNAL Home

Internet communications tools Document preparation Computing industry Computing standards, RFCs and guidelines Computer crime Language types Security and privacy Computational complexity and



FOA

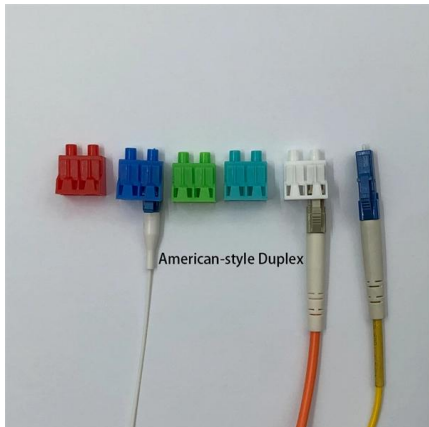
FOA Fiber Optic Timeline Created by the Fiber Optic Association as an educational project to help document the history of the development of fiber optics for communications. Dates, of course, are





Optical Fiber , Optical Fiber Products , Corning

Optical fiber broadband brings together a culture of innovation, quality, and manufacturing excellence to create life-changing products.



Fiber-Optic Communication Systems , Wiley Online Books

This book provides a comprehensive account of fiber-optic communication systems. The 3rd edition of this book is used worldwide as a textbook in many universities. This 4th edition

Generations Of Fiber Optic Communication Systems

The evolution of fiber optic communication systems over the past 50 years has been nothing short of remarkable. Since the first early systems



We are Nokia , Nokia

We invent a new type of optical fiber, Non-Zero Dispersion Fiber (NZDF), that becomes widely deployed in intercontinental and long-haul terrestrial networks.



Optical networks

An optical transport network is a high-speed communication system that sends light signals over fiber-optic cables to move large amounts of data across long

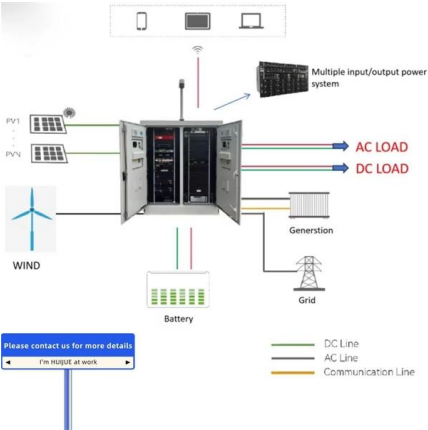


Optical Communications Products

Browse our optical communication connectivity products designed to help you enable your communication networks. Easily create a bill of materials list.

Online Bulk Cable Company , CableWholesale

As a premier online bulk cable company, CableWholesale carries a large inventory of computer cables, USB, HDMI, fiber optic, VGA cables, and more. Shop now!



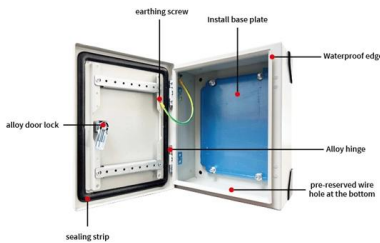
Optical Communication Industry Trends 2026: AI, 800G/1.6T Optical

Explore optical communication industry trends in 2026, driven by AI infrastructure, 800G and 1.6T optical modules, silicon photonics, and next-generation data center connectivity solutions.



Optical Fiber Communication Systems , Springer Nature Link

Optical fiber communication systems have become the cornerstone of modern telecommunications over the past four decades. As the demand for high-speed, high-capacity data

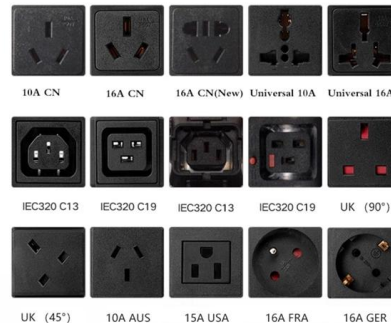


Generations Of Fiber Optic Communication Systems

The evolution of fiber optic communication systems over the past 50 years has been nothing short of remarkable.

What Is Fiber Optics? Definition from SearchNetworking

What is fiber optics? Fiber optics, or optical fiber, refers to the technology that transmits information as light pulses along a glass or plastic fiber.



Corning , Materials Science Technology and Innovation

Corning Incorporated is a global-leading innovator in materials science, with 170 years of life-changing inventions and category-defining products.



Fiber-optic cable

A fiber-optic cable, also known as an optical-fiber cable, is an assembly similar to an electrical cable but containing one or more optical fibers that are used to carry



Optical Fiber Communications

His teaching and research interests include photonic component development, telecom optical transmission systems, fiber-to-the-premises (FTTP) networks, intelligent-building and smart-home

Contact Us

For datasheets, pricing, or custom high-speed optical interconnect solutions, please visit:
<https://www.syropy.com.pl>