

Fiber Optic Cable for Sale in the Middle East





Fiber Optic Cable for Sale in the Middle East



Fibre Optic Cable Supplier in Dubai, UAE

Instant Technology Advantage Due to our partnerships with top-tier fibre optic brand manufacturers, Instant Technology is a great choice of fibre optic cable supplier in



Fiber-optic Cable Market Report: Size, Growth, Trends & Forecast

Fiber-optic Cable Market size was valued at \$ 14 Bn in 2024 and is expected to reach \$ 17.95 Bn by 2032, growing at a CAGR of 21.45% from 2026 to 2032 The report provides key trends,

Palau Fiber Optics Cable Market (2025-2031) , Trends, Outlook

6Wresearch actively monitors the Palau Fiber Optics Cable Market and publishes its comprehensive annual report, highlighting emerging trends, growth drivers, revenue analysis, and forecast outlook.



Denmark Fiber Optics Cable Market , Trends & Size 2032

Denmark Fiber Optics Cable Market Top 5 Importing Countries and Market Competition (HHI) Analysis Denmark fiber optics cable import shipments in 2024 were primarily sourced from Metropolitan



Top 5 Best Fiber Optic Cable Manufacturers in UAE

They stock a complete range of fiber optic products from FTTH cables to 48-core cables in single mode and multimode configurations, along with a selection of

Optical Interconnect Market Size, Outlook 2026 - 2031

Optical Interconnect Market Size & Share Analysis - Growth Trends and Forecast (2026 - 2031) The Optical Interconnect Market Report is



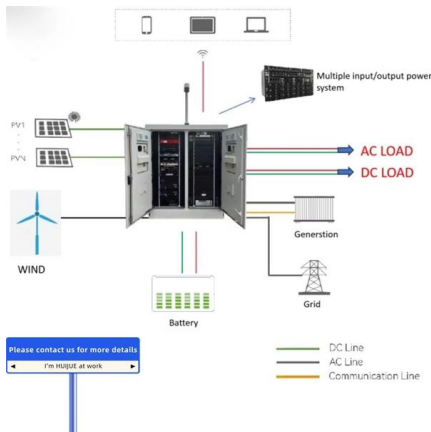
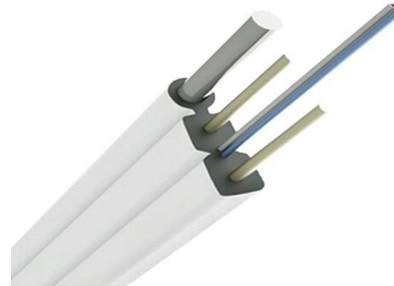
Taiwan Optical Fiber Patch Cables Market Research Report

The comprehensive "Taiwan Optical Fiber Patch Cables market" research report is essential for understanding current trends, consumer preferences, and competitive dynamics. This



Fiber Optic Cables Market Size, Share & Forecast to 2032

Speak directly to the analyst to clarify any post sales queries you may have. The fiber optic cables market is advancing rapidly as organizations across sectors demand



Europe Fibre Optic Cables Industry Report 2026 , Market Size, Share

The Europe Fibre Optic Cables market size is USD 8.8 billion in 2023 and will expand at a compound annual growth rate (CAGR) of 8.2% from 2023 to 2030.

Fiber Optics Market Trend 2026 , Report by 2034

The fiber optics market involves the production and sale of specialized cables and components for high-speed, long-distance data transmission, a crucial



Rear of the optical fiber distribution box



Fiber optic project manager jobs in Florida

Active 30260 vacancies o Fiber optic project manager jobs in Florida o Competitive salary o Full-time, temporary, and part-time jobs o Job email alerts o Find Fiber optic project manager jobs in Florida and

MEFC was founded in the year 1995 in Riyadh, Saudi Arabia, in partnership with Fiber Core and Royale Systems Group from USA, to manufacture the latest and most comprehensive state-of-the-art Fiber



Data Center Optic Fibre Market Report: Size, Growth,

Middle East and Africa: Experiencing rising investments in fiber optic infrastructure to support growing data center facilities, particularly fueled by energy, telecom, and



Yemen Fiber Optic Cable Market (2025-2031) , Forecast & Outlook

Fiber Optic Cable Market: Yemen vs Top 5 Major Economies in 2027 (Middle East) Yemen's Fiber Optic Cable market is anticipated to experience a negative growth rate of -96.17% by 2027, reflecting



Top 5 Fiber Optic Cable Manufacturers in UAE

The UAE hosts a diverse range of fiber optic cable manufacturers, each offering unique strengths and products tailored to meet the growing demands of the telecommunications industry.



Fiber Optic Jobs - 89 Jobs , May 2026

Fiber Optic Technician Digitus_Group 2 - 5 Years
Kuwait - Kuwait Responsible for fiber optic splicing, testing, installation, and maintenance, requiring skills in troubleshooting, cable laying, and knowledge



Naficon - Leaders in Fiber Optic Connectivity in the UAE

Naficon is your reliable supplier for all Fiber Optic equipment in the Middle East and Europe.

Urgent! Fiber optic jobs in Dubai

Search and apply for the latest Fiber optic jobs in Dubai. Verified employers. Free, fast and easy way find a job of 12.800+ postings in Dubai and other big cities in UAE.



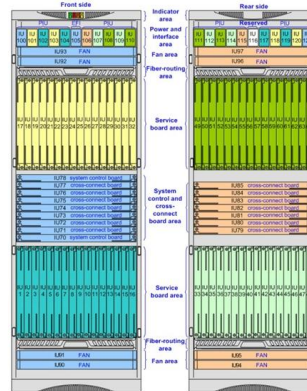
Nauru Fibre Optic Cable Market (2025-2031) , Trends, Outlook

6Wresearch actively monitors the Nauru Fibre Optic Cable Market and publishes its comprehensive annual report, highlighting emerging trends, growth drivers, revenue analysis, and forecast outlook.



Home Fahad Cables Industry

Fahad Cables Industries FZE is one of the most reputable manufacturers of network cables in the Middle East. Providing a happier, richer future through providing



75 manufacturers for Fiber Optic Cable in United Arab Emirates

Discover all relevant Fiber Optic Cable Manufacturers in United Arab Emirates, including FOSS and CableTech MEA

High-Quality Fiber Optic Cables in UAE

We manufacture and sell all types of cable laying products ranging from winches to trailers to rollers to cable locators and many more. Our cable laying products are manufactured with high precision using



\$150+ Bn Fiber Optical Cable Market Opportunities and Strategies to

The top opportunities in the fiber optical cable market segmented by product type will arise in the single-mode cable segment, which will gain \$21.95 billion of global annual sales by 2028.



Burundi Fiber Optics Cable Market (2025-2031) , Trends, Outlook

6Wresearch actively monitors the Burundi Fiber Optics Cable Market and publishes its comprehensive annual report, highlighting emerging trends, growth drivers, revenue analysis, and forecast outlook.



Armenia Fibre Optic Cable Market (2026-2032) , Trends, Outlook

Armenia Fibre Optic Cable Market: Import Trend Analysis The Armenia fiber optic cable market witnessed a steady growth trend during 2020-2024, with a Compound Annual Growth Rate (CAGR)

Mali Fiber Optics Cable Market (2025-2031) , Trends, Outlook

6Wresearch actively monitors the Mali Fiber Optics Cable Market and publishes its comprehensive annual report, highlighting emerging trends, growth drivers, revenue analysis, and forecast outlook.



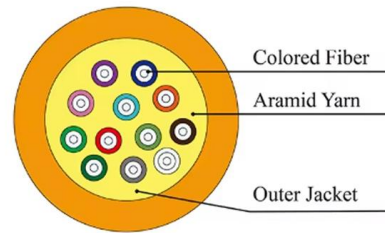
Fiber Optic Cables Market Report , Global Forecast To 2028

The global fiber optic cables market is expected to grow at a CAGR of 5.5% during the forecast period, from 2021 to 2028.



Optical Fiber Cable Market, Report Size, Worth, Revenue, Growth,

Optical Fiber Cable Market Size The global market for Optical Fiber Cable was valued at US\$ 12200 million in the year 2024 and is projected to reach a revised size of US\$ 15780 million by



Best Fiber Optic Cable Manufacturer in UAE

Discover the best fibre optic cable solutions in the UAE from Arabian Fiber -- a top manufacturer delivering high-quality microduct, FTTH,

Contact Us

For datasheets, pricing, or custom high-speed optical interconnect solutions, please visit:
<https://www.syropy.com.pl>