

Fiber Optic Cable Maintenance Quality Management





Overview

Maintain the correct bend radius and crush protection during installation to avoid signal loss and costly repairs. Test every fiber optic cable using industry standards and tools like OTDR and Visual Fault Locators to ensure reliable network performance. Digital tools, such as IQGeo's Fiber Network Management System, now offer smarter Fiber Optic Solutions for tracking, organizing, and maintaining networking infrastructure. Fiber optic network optimization has become a key task to ensure efficient operations with the ever-growing demand for data transmission and the increasing need for high-speed, low-latency connectivity. Facilitation of Troubleshooting and Maintenance: Well-organised cables make it easier to identify and.



Fiber Optic Cable Maintenance Quality Management



Home

Optical Cable Corporation Networks that Mean Business High-performance networks are essential to business, including manufacturing, transportation, education,

China Fiber Optic Cable Manufacturer , Direct Factory Price & OEM

Looking for a reliable Fiber Optic Cable Manufacturer? Wolon offers high-quality indoor, outdoor, ADSS, and drop cables at factory direct prices. ISO certified, OEM/ODM available, and fast global shipping.



Fiber Optic Cable Installation Companies Near You

Find fiber optic cable installation companies near you. Explore top providers for reliable, high-speed internet solutions.

Fiber-optic submarine cables: The deep-sea datalinks

Beneath the mighty oceans across the world lie hidden something just as mighty: The submarine cables that have been carrying data traffic around the



MarketsandMarkets

Revenue Impact Firm - MarketsandMarkets offers market research reports and quantified B2B research on 30000 high growth emerging opportunities to over 10000 clients worldwide. Get detailed insights



The FOA Reference For Fiber Optics

Some people have suggested that fiber optic networks need periodic maintenance, including microscopic inspection of connectors and mating adapters and even



What Are the Fundamentals of Fiber Cable Management?

Effective fiber cable management is essential for maintaining network reliability, optimizing performance, and reducing operational costs. Proper management ensures that fiber cables are routed,

3BL



We've helped over 1,500 organizations build stronger communications and distribute their stories on credible publishers that drive reputation.



Fiber Optic Junction Box for Reliable Network Connections

? Fiber Optic Junction Box - Small Box, Big Responsibility In every reliable fiber network, there's one critical component working behind the scenes -- the junction box. At PTCL, we design

How to Optimize and Maintain Your Fiber Optic Network for Peak

This article will focus on fiber optic network optimization and cable maintenance, sharing proven practices to help maintain long-term network performance, reliability, and scalability.



The Complete Guide to Fiber Optic Cable Management

Ultimate fiber optic cable management guide: Best practices for installation, organization & maintenance - ensure network reliability.



Best Practices for Fiber Optic Network Optimization

This article explores best practices for fiber optic network optimization and cable maintenance to ensure optimal performance, reliability, and scalability

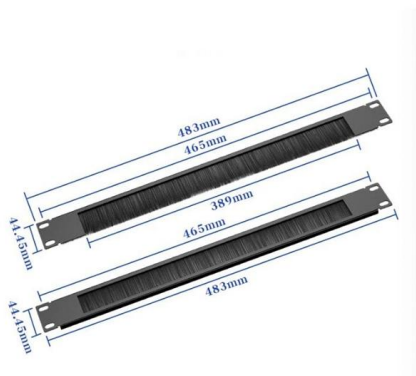


Cable Management Best Practices: Q& A With Kristin St.

Learn about the benefits of proper cable management, factors to consider when choosing fiber cable management solutions, and how to maintain proper bend

Fiber Optic Installation Process 2026 Guide , ZION

Fiber Optic Installation Process: Complete 2026 Guide A practical, engineer-friendly guide to planning, installing, testing, and maintaining modern



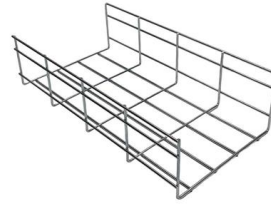
The Ultimate Fiber Optic Cable Size Reference Chart

A professional reference for fiber optic sizes, measurement standards, and how to select the right fiber for your application



Fiber Optic Lifecycle Guide for High-Performance Networks

Learn best practices for fiber optic lifecycle management, including selection, maintenance, and replacement of cables, MPO/MTP, and FTTA.



Key components for fiber optic cable management

A practical guide to fibre optic cable management for engineers, covering routing, protection, materials, and key components for performance. Learn more now.

The Complete Guide to Cable Management: Organising

Whether you're managing a small-scale office network or a large



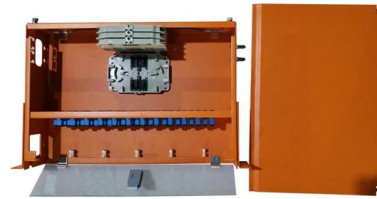
Home Page

Designed to enhance your understanding of high-performance twisted-pair, fiber optic and intelligent infrastructure management solutions, CommScope



Global IT Products & Network Solutions Provider , Black Box

Black Box provides cutting-edge IT solutions and technology products to businesses worldwide, ensuring innovative and reliable services for global digital transformation.



Fiber Optic Color Code Explained: Jacket, Connector

Understand fiber optic color codes with this complete guide. Learn about jacket colors, buffer color standards, connector IDs, and practical visuals.

SMC 24 Cores Fiber Optic Termination Box , FTTH

SJ-ODB-24-SMC 24 Cores Fiber Optic Termination Box The SJ-ODB-24-SMC is a 24 cores fiber optic termination box designed for efficient fiber optic cable



Corning , Materials Science Technology and Innovation

Corning Incorporated is a global-leading innovator in materials science, with 170 years of life-changing inventions and category-defining products.



OMC Fiber Protection Box for Optical Cable Splicing and

OMC offers a variety of durable fiber protection boxes designed for optical cable splicing and indoor and outdoor fiber management, and are easy to install.



NAI: Global Leader in Custom Interconnect Solutions

For medical applications, we also provide world class white rooms in our Hermosillo, Mexico; and Suzhou, China facilities, as well as state-of

Why Cable Management is Important in Fiber Installations

Here are the key strategies for effective cable management in fiber installations, ensuring durability, efficiency, and ease of maintenance. Proper cable



WebiTelecomms Cabling



Fiber Optic Splice Enclosures , Splice Boxes , Fusing Splicing

Fiber Optic Splice Enclosures are essential components for protecting fiber optic splices and ensuring safe, secure, and organized fiber management. These enclosures are designed to accommodate



2 SC Port Fiber Optic Wall Outlet, 2 Cores Splicing

The box features 4 cable inlets and 2 sc adapter ports, supporting 2 cores splice and termination in ftth (fiber to the home) network for wall, desktop or surface mount



Contact Us

For datasheets, pricing, or custom high-speed optical interconnect solutions, please visit:
<https://www.syropy.com.pl>