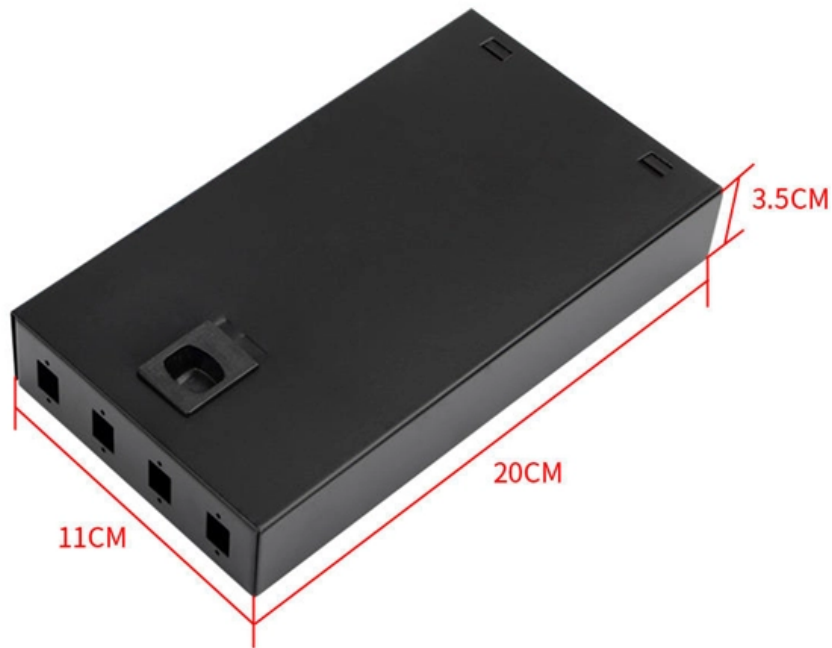


Fiber Optic Cable Laying Construction Process





Fiber Optic Cable Laying Construction Process



How to Install Underground Fiber Optic Cables: A

Learn how to install underground fiber optic cables with this detailed guide. Get tips on planning, trenching, cable pulling, testing, and ensuring long

Fiber Optical Cable Installation and Construction

The optical cable crossing the river is left on the adjacent pole of the first pole on the riverbank: the joint should be left on the joint pole, and each joint



FOA Standard For Installing Fiber Optic Cable Plants

Before the fiber optic cable plant can be installed, construction may be needed to provide the infrastructure in which the fiber optic cables will be installed.

New Construction Fiber Optic Cabling Overview & Guide

Integrating fiber optic installations during construction is vital for ensuring state-of-the-art connectivity. This guide will detail the step-by-step

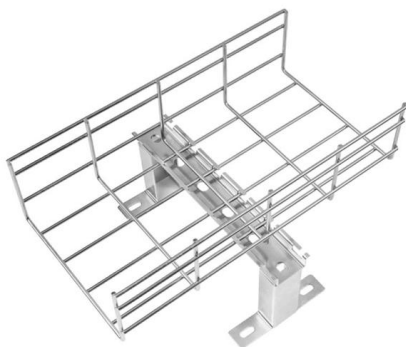


The FOA Reference For Fiber Optics -Outside Plant

The FOA Outside Plant Construction Guide is a concise reference for the installation of fiber optic cables, including the construction involved in underground, direct

Essential Installation Techniques for Optical Fiber Cables

Discover the essential installation techniques for optical fiber cables, including trenching, direct burial, aerial, and indoor methods. Learn about



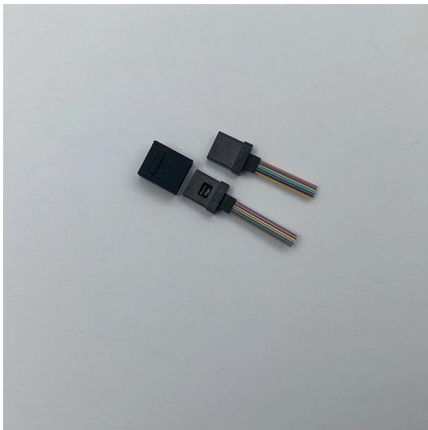
Fiber Construction. Understanding the Process,

The fiber network construction process is a cross-functional effort that brings together experts in optical network design, construction, and testing. Learn more!



The FOA Reference For Fiber Optics -Outside Plant

Typically, optical fiber cables do not carry electrical power, but the metallic components of a conductive cable are capable of transmitting current. When the

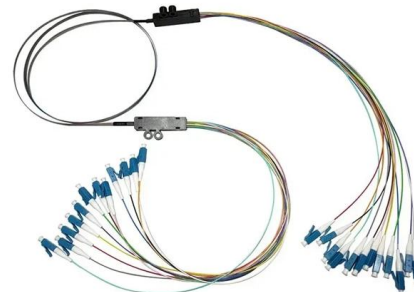


How to Install Fiber Optic Cable: Step-by-Step Guide

Learn how to install fiber optic cable with Network Drops' easy step-by-step guide. Follow the process for quick and effective results.

This is How Fiber Internet is Installed Underground

Discover the process of underground construction for fiber internet. Take a closer look at how internet service providers (ISPs) run fiber lines underground to connect your home to high-speed



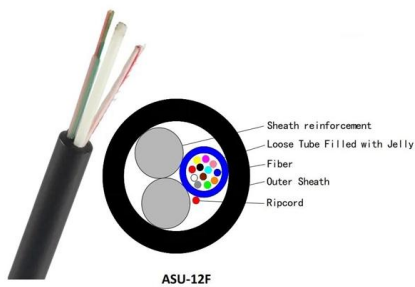
The FOA Reference For Fiber Optics -Outside Plant

Aerial Cable Installation Aerial Cable Installation Deploying fiber above ground on poles or towers removes the need for underground digging and is particularly



The FOA Reference For Fiber Optics

Fiber optic cable may be installed indoors or outdoors using several different installation processes. Outdoor cable may be direct buried, pulled or blown into



Inside the Construction of a Fiber Network: Step-by-Step

Building a fiber-optic network is a complex, multi-step process that goes far beyond simply choosing between aerial or underground cables. The

Optical Fiber Cable Engineering Construction: A

Optical Fiber Cable engineering construction refers to the process of designing, planning, executing, and maintaining communication system infrastructure by



InstallGuide

Documentation of the fiber optic cable plant is an integral part of the design, installation and maintenance process for the fiber optic network. Documenting the installation properly will facilitate



OPTICAL FIBRE CABLES INSTALLATION GUIDE



The objective of this document is to be an optical fibre cable installation and laying guide, addressed to new installers, also being useful as a reminder to experienced installers. We should always consider



OPTICAL FIBRE CABLES INSTALLATION GUIDE

The objective of this document is to be an optical fibre cable installation and laying guide, addressed to new installers, also being useful as a reminder to experienced installers.

Underground Fiber Optic Cable Installation:

3. Cable Laying & Protection The fiber optic cable installation process demands meticulous handling techniques, particularly when cables are buried



A High-Level Overview of the Fiber Construction Stages

Get a high-level overview of the fiber construction stages and what to expect. This comprehensive guide explains each step of the process, helping you set realistic



Fiber Optic Cable Construction: A Comprehensive Analysis

In this article, we'll discuss in detail the construction of Fiber optic cables and also see the challenges you might face.



Fiber Optic Network Construction

Learn how fiber optic network construction works--from site survey and permits to aerial vs underground fiber cable installation, splicing, and FTTH



Fiber Optic Installation Process: Complete Guide (2025)

Learn about the fiber optic installation process with our detailed guide. Understand each step to ensure a smooth and efficient setup for high-speed



A Step-by-Step Guide to Fiber Optic Cable Installation

This beginner-friendly guide will walk you through the step-by-step process of fiber optic cable installation for each method,





Master Your Fibre Optic Installation: Step-by-Step Best Practices

This comprehensive guide delves into the intricacies of fiber optic installation, exploring topics ranging from cable types and pre-installation considerations to execution, safety protocols,



Fiber Optic Network Construction: Process and Build Costs

By - Fiber optic network construction is linking together all forms of digital infrastructure to ensure that optical telecommunications traffic can

Contact Us

For datasheets, pricing, or custom high-speed optical interconnect solutions, please visit:
<https://www.syropy.com.pl>