

Fiber Optic Cable Construction Tax Rate





Fiber Optic Cable Construction Tax Rate



This Week in State Tax (TWIST)

uarantee. All rights reserved. USCS011027-1D
The following information is not intended to be "written advice concerning one or more federal tax matters" subject to the requirements of section 10.37(a)(2)

Accounting For Fiber Installation Labor Costs

In the context of fibre projects, this includes the costs associated with laying fibre optic cables, purchasing equipment, and other infrastructure-related expenses. Fibre projects are capital



Safe Harbor Accounting Methods Provided for Cable System Operators

The IRS has issued guidance (Rev. Proc. 2015-12) providing several safe harbor methods of accounting for some property costs paid or incurred by cable system

Internal Revenue Service Department of the Treasury Number:

A. DAS Installations and Fiber Optic Cables Some of Taxpayer's fiber optic cables are connected to and are associated with DAS installations, while other fiber optic cables form



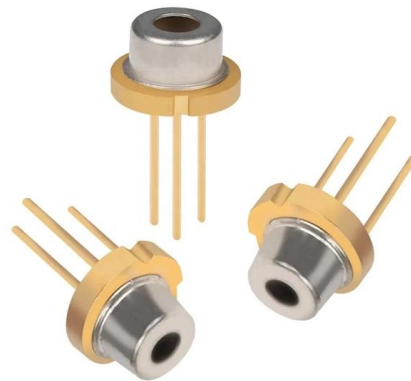
IRS Depreciation Class For Fiber Optic Cable

This guide aims to shed light on the intricacies of these rules, making it easier for you to grasp how fibre optic cables are classified and depreciated for tax purposes.



26 CFR 1.263(a)-1: Capital expenditures; in general. (Also: Part I

Applicability. This change applies to a cable system operator that is within the scope of Rev. Proc. 2015-12, 2015-2 I.R.B., and wants to change to the safe harbor method of



Property Taxation of Communications Providers, A

Fiber optic or coaxial cable installed or placed in service on or after July 1, 2021 is exempt from tax for five years after which the exemption is phased





Internal Revenue Service Department of the Treasury Number:

A. DAS Installations and Fiber Optic Cables with DAS installations, while other fiber optic cables form independent networks that are connected to cell towers or utility poles or are buried

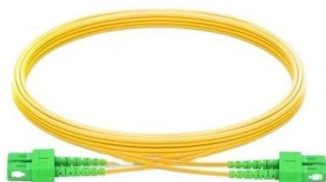


Fibre Optic Cable Tax Depreciation Rates

Moreover, understanding the specific tax regulations and incentives applicable to fibre optic cables is crucial. These can vary by region and may offer additional benefits for investing in

New Construction Fiber Optic Cabling Overview & Guide

Fiber optics are crucial in modern buildings, providing the backbone for advanced digital communications. Integrating fiber optic installations during



Federal Tax Code for Fiber Network Expansions (US)

The federal tax code for fibre network expansions in the US contains several key provisions that stakeholders must understand. One critical element is the capital expenditure

Fiber-Optic Cable Excluded from Definition of Tangible Personal Property after Installation
Effective July 1, 2019, fiber-optic cable is not considered tangible personal property for sales and use tax purposes



Safe Harbor For Fiber Optic Nodes In Cable Systems Provided For

Rev. Proc. 2003-63 SECTION 1. PURPOSE This revenue procedure provides a safe harbor method under which the Internal Revenue Service will treat a fiber optic node and trunk line consisting of

Internal Revenue Service Department of the Treasury Number:

have dedicated fiber optic strands and coaxial cable or dedicated wavelengths and frequencies on fiber optic strands and coaxial cables in that System, such that the Users' signals will



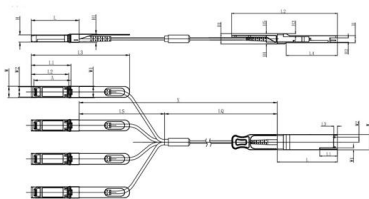
Cost of Fiber Optic Cable: Pricing Guide (2026)

Discover the cost of fiber optic cable in this pricing guide. Learn material prices, installation factors, and what impacts total project costs overall.



Fiber Optic Network Construction: Process and Build Costs

Fiber optic construction is bringing high-speed internet connectivity to homes and businesses in cities around the world. These networks are



Unit mm

QSP28	L	L1	L2	L3	L4	W	W1	W2	H	H1	H2	H3	H4	H5	H6
Max	72.2	-	138	4.35	61.4	18.45	-	6.3	8.6	12.4	5.35	2.5	1.6	2.0	-
Type	72.0	-	4.20	61.2	18.35	-	-	8.5	12.2	5.2	2.3	1.5	1.8	6.55	-
Min	68.8	16.5	124	4.05	61.0	18.25	2.2	5.8	8.4	12.0	5.05	2.1	1.3	1.6	-

SFP28	L	L1	L2	L3	W	W1	W2	H	H1	A
Max	57.6	47.7	44.55	119.9	13.8	14.0	12.3	8.7	10.3	45.25
Type	57.4	47.5	44.35	117.9	13.55	13.8	12.1	8.5	10.1	45
Min	57.2	47.3	44.15	115.9	13.3	13.6	11.9	8.4	9.9	44.65

Accounting For Fiber Installation Labor Costs

In this guide, we'll demystify the concept of fibre project capital expenditure depreciation timeframes, providing you with the insights needed to make informed decisions.

Fibre Optic Cable Tax Depreciation Rates

In today's fast-paced digital world, fibre optic cables have become the backbone of modern communication, enabling rapid data transfer and reliable connectivity. However, as with any



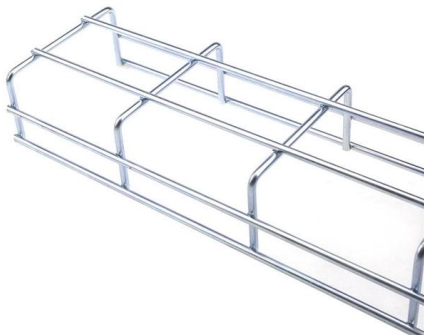
Safe Harbor Accounting Methods Provided for Cable System Operators

This change applies to a cable system operator that is within the scope of Rev. Proc. 2015-12, 2015-2 I.R.B., and wants to change to the safe harbor method of accounting provided in



Fiber Deployment Cost Annual Report

In preparing this second edition of the Fiber Deployment Cost report, Cartesian gathered inputs from a wide variety of firms building fiber networks across the nation. Research was



Fiber Optic Cable Run Cost Guide 2026

This guide provides clear cost estimates, price ranges, and practical budgeting tips for running fiber optic cable in most U.S. settings. Assumptions: residential or small commercial run,

Bonus Depreciation and Fiber Optic Networks

In the most general terms, then, eligibility of fiber optic network assets for bonus depreciation depends on the provider's chosen accounting and



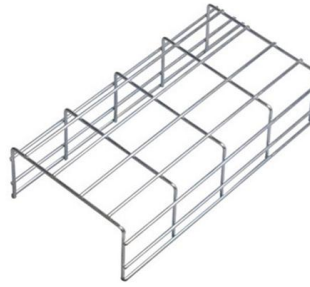
IRS Depreciation Class For Fiber Optic Cable

Navigating the world of tax regulations can often feel like deciphering a foreign language, especially when it comes to understanding depreciation rules. The guidelines for fibre optic cable



Appellate Court Finds Fiber Optic Cables Not Subject to Real Property Tax

Tax Commission of the City of New York, 95 A.D.3d 456 (1st Dep't 2012) that fiber optic installations do not constitute real property under RPTL 102 (12) (i), the more specific provision



Property Tax > Fiber Optic Cables

However, a popular system involves a government assessment of the value of a property and a rate based on a proportion of the assessed value. A property may be subject to taxation by

The Costs for Deploying Fiber

Nevertheless, quantifying the costs to construct a fiber network is necessary to help fiber broadband service providers and their contractors



From standard 1U to 8U sizes to fully customized Non-standard enclosures.



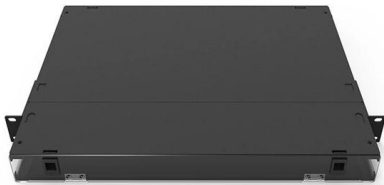
Get High Speed Fiber Internet, Starting at \$30/Month

How does fiber internet differ from traditional internet? Fiber internet uses light signals through fiber-optic cables, providing faster and more reliable connections



Part III

interconnected items, such as central office equipment, poles, copper wire, fiber optic cable, and remote and network terminals. Taxpayers and the Internal Revenue Service often do not agree on which



Fiber Optic Network Construction: Process and Build Costs

By - Fiber optic network construction is linking together all forms of digital infrastructure to ensure that optical telecommunications traffic can

Contact Us

For datasheets, pricing, or custom high-speed optical interconnect solutions, please visit:
<https://www.syropy.com.pl>