

Fiber Optic Cable AWM





Fiber Optic Cable AWM



UL 758 - Standards list

1.1 These requirements cover Appliance Wiring Material (AWM) in the form of single insulated conductors, multi-conductor cables, optical fibers, individual insulated conductors, and fiber

AVM FRITZ!Box 5690 Pro (Premium Wi-Fi 7 Router with

AVM FRITZ!Box 5690 Pro (Premium Wi-Fi 7 Router with Triband (2.4 GHz, 5 GHz, 6 GHz) up to 18.5 Gbps, for Fibre Optic and DSL Ports, Wi-Fi Mesh, DECT Base,

Ordering information

NO	1	2	3	4
Model	F3601	F3602	F31201	F31204
Product name	Patch Panel	Patch Panel	Patch Panel	Patch Panel
Illustration				
HU	1	2	3	4
Maximum number of cores	36	72	108	144
Product size (including modules and adapters)	482,8*208,7*43,3mm	482,8*208,7*86,6mm	482,8*208,7*129,9mm	482,8*208,7*173,2mm
Standard color code	RAL3005	RAL3005	RAL3005	RAL3005

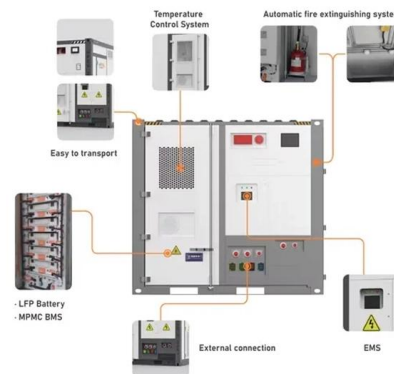


Panduit Opti-Core Fibre Optic Cable Multimode OM4 12-Fibres

The Opti-Core Fibre Optic family of cables shall contain 4 to 72 optical fibres. The fibres shall be tight-buffered for easy termination with field-installable connectors.

What is AWM cable?

AWM (Appliance Wiring Material) cables are defined by Underwriters Laboratories (UL) as an appliance wiring material. These wire types support a



RSA-175-810 & RSA-175-010 Wiring Material UL 758

1 Scope 1.1 These requirements cover Appliance Wiring Material (AWM) in the form of single insulated conductors, multi-conductor cables, optical fibers, individual insulated conductors, and fiber optic



Fiber Optic HDMI Cables Explained: HDMI 2.1,

Learn why fiber optic HDMI (AOC) cables beat copper: HDMI 2.1 48 Gbps, ARC/eARC, long-distance 4K120 and 8K 60, EMI immunity, installation tips.



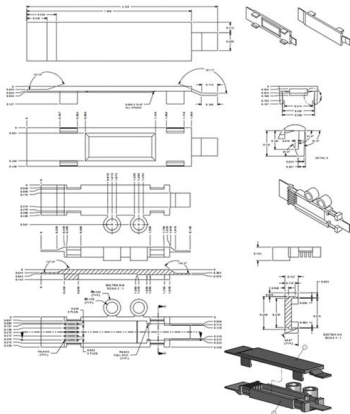
The FOA Reference For Fiber Optics

Fiber Optic Cable Cable Types: (L>R): Zipcord, Distribution, Loose Tube, Breakout Cable provides protection for the optical fiber or fibers within it appropriate for the





scope: These requirements cover Appliance Wiring Material (AWM) in the form of single insulated conductors, multi-conductor cables, optical fibers, individual insulated conductors, and fiber optic

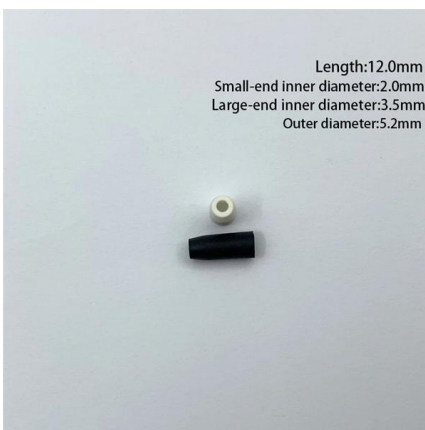


Understanding and Identifying UL Appliance Wiring

Appliance wiring material (AWM) is a large category of wire and cable that spans over different constructions. Underwriters Laboratory (UL) categorizes AWM as a

UL 758 , UL Standards & Engagement , UL CSDS

Appliance wiring material (AWM) composed entirely of optical fiber members or electrical conductors in combination with optical fiber members are



Turck White Paper

This white paper will address the differences between AWM recognized cable and UL listed cable, describing the testing requirements listed cables must satisfy and highlighting the benefits associated



Fiber Optic Cables

APPLICATION The cable is specially designed for harsh environments. The internationally known multilayer inner sheath ALPA® construction: Aluminium/HDPE/PA (nylon) withstands aggressive



UL 758 Datasheet

Appliance wiring material (AWM) composed entirely of optical fiber members or electrical conductors in combination with optical fiber members are also covered by these requirements.

Standard UL 758

UL 758 Standard covers the requirements for Appliance Wiring Material (AWM) in the form of single insulated conductors, multi-conductor cables, optical fibres,



What is AWM cable?

If you are unsure which AWM wire is right for your application, consult a qualified professional. Romtronic's Expertise in AWM Cable Assemblies



Product Catalogue Fibre Optic Cable

Flat ribbon fibre optic patch cable with 4 to 12 fibres in flat ribbon layout. It utilizes soft aramid yarn strength members and a Low Smoke Zero Halogen (LSZH) outer jacket.



Fiber Optic Terminology & Definitions , Fiber Terms Guide

Fiber Optic Tutorial presented by LANshack . Learn about fiber optic basics, fiber, jargon, cable, termination, network, estimation, testing, training, and glossary.

ULSE

1.1 These requirements cover Appliance Wiring Material (AWM) in the form of single insulated conductors, multi-conductor cables, optical fibers, individual insulated conductors, and fiber optic



Buy Fibre Optic Solutions Online , AWM

Browse a wide range of Fibre Optic Solutions on AWM. Contact us today or sign up for an account.



UL 758 , UL Standards & Engagement , UL CSDS

1.1 These requirements cover Appliance Wiring Material (AWM) in the form of single insulated conductors, multi-conductor cables, optical fibers,



Overview of optical fibres standardization

3. Conclusion Optical fibres are characterized by many parameters, some of which are subject to standardization, as well as the associated characterization methods. Compliance with this normative

ULSE

Appliance wiring material (AWM) composed entirely of optical fiber members or electrical conductors in combination with optical fiber members are also covered by these requirements.



Standard UL 758

UL 758 covers Appliance Wiring Material (AWM) UL 758 Standard covers the requirements for Appliance Wiring Material (AWM) in the form of single insulated

Wire & Cable Product Certification , CSA



From building, machine, and appliance wires to fiber optic cables, quality and reliability are crucial in every wire and cable application. Customers have to know



AWM Series

AWM Series Wallmount Enclosures are Fiber Optic Patch and Splice Panels. Available in different size formats with customizable fiber and connector types.



Amazon : MINZHAO 10m/lot E89328-A AWM VW-1 AVAGO

About this item HFBE-EUS500Z HFBR-EUD500Z AVAGO cable E89328-A AWM VW-1 AVAGO imported simplex duplex POF fiber Core diameter: 1.0mm (980/1000um) Shell diameter: 2.2mm POF



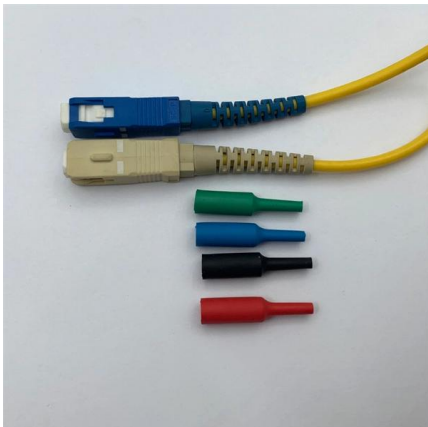
Fiber Ethernet

???????? ???? Fiber Ethernet; ??? 100+ ?????????? ??
????????????? ???? DSL Modems / Routers &
?????u????? ?????????? ???? ?????????? ??u?! ?????????
??????? u??? Skrutz!



Tratos Cable Manufacturer

Tratos, Innovative Electrical, Electronic and Fibre Optic cable manufacturer Since 1966, Tratos has been a cable manufacturer. It manufactures traditional electrical



Fiber Optic Cables

APPLICATION Optical cable for industrial environments. The cable is suitable for both indoor and outdoor installation. The outer sheath is made from black UV-stabilized and weather resistant

Panduit Opti-Core Fibre Optic Cable Multimode OM4 12-Fibres

Find out more about Fiber Optic Cable 12F OM4 M/M LSZH at AWM. Contact your local store for pricing and create a trade account.



Contact Us

For datasheets, pricing, or custom high-speed optical interconnect solutions, please visit:
<https://www.syropy.com.pl>