

Fiber Distribution Box for Engineering Use





Fiber Distribution Box for Engineering Use



Fiber Distribution Box

Overview de industrial plastic. The box can be used as a 16-core splitter enclosure or distribution unit based on the customer need, and can be deployed in indoor o outdoor applications. The distribution

How To Use Fiber Distribution Box?

Mounting the Fiber Distribution Box Height - Mount the FDB between 3-5 feet above ground level to allow convenient access. Leveling - Use a bubble

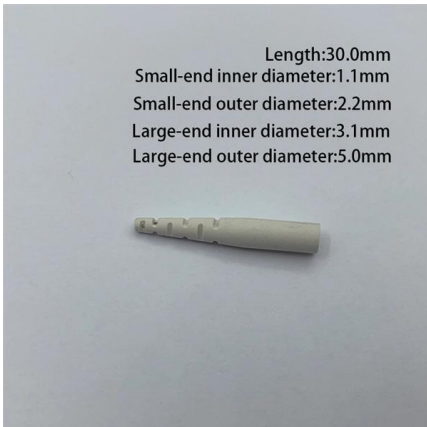


Outdoor Fiber Distribution Units - Fiber Savvy

Fiber Savvy offers an excellent solution for all of your outdoor fiber distribution needs. Our Fiber Optic Cable Distribution Boxes are specially designed to house and protect the various amounts of simplex

Integrated wiring fiber optic distribution box installation tutorial

The optical fiber distribution box allows people to easily access the optical fibers in the box, and can well protect the optical fibers. In addition, the drawer structure also facilitates high



Optical Cable Distribution: Efficient How-To Guide

Learn how to efficiently manage and distribute optical cables using a fiber distribution box. Explore protective sheath and organized distribution.

Fiber Distribution Box

Overview The PPC Fiber Distribution Box is a multi-purpose, robust enclosure made with high-grade industrial plastic. The box can be used as a 16-core splitter enclosure or distribution unit based on



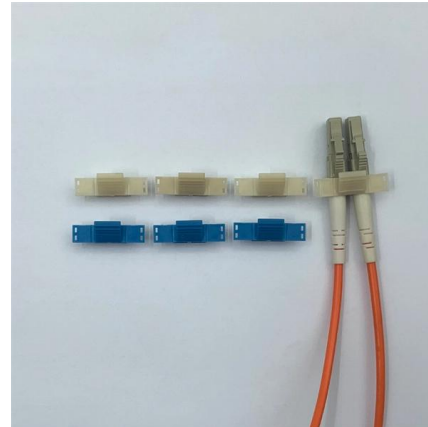
Fiber Distribution Boxes

Transform your fiber optic network management with our advanced Fiber Optic Distribution Boxes. These boxes provide a central hub for organizing, protecting,



Fiber Distribution Terminals

Fiber distribution terminal serves as the central interface between incoming feeder fibers and outgoing drop fibers. It supports stable routing, splicing, and protection of optical cables while keeping service



Understanding Fiber Optic Junction Boxes: A

Residential Installations: In homes, these boxes are used to terminate and distribute fiber optic connections for internet and multimedia services.

Plastic Fiber Boxes - Primus Cable

The Plastic Fiber Distribution Units supplied through Primus Cable are manufactured to withstand years and years of usage, delivering an economical networking method. Our line of Fiber Distribution Units



Fiber Optic Distribution Box

Choose MellaxTel for custom Fiber Optic Distribution Boxes - pre-installed or not. With in-house production of patch cords, pigtails, adapters, and splitters, we give



What's Inside a Fiber Distribution Box? Let's Break It Down!

Conclusion Fiber Distribution Boxes are indispensable in the realm of fiber optic networking, providing not just connectivity but also protection and management of one of the most



16 Port Fiber Optic Distribution Box For Cassette PLC

The 16 port fiber distribution box for 1x16 mini splitter, which is perfect for FTTH, FTTB solution, capacity 16 cores, IP65 for outdoor use.

An In-Depth Exploration of Fiber Optic Distribution

The article categorizes the various types of fiber optic distribution boxes--including wall-mounted, rack-mounted, outdoor, and dome-shaped designs--each



Fiber Distribution Architecture

Fiber distribution hardware manages each fiber and connection point that is associated with active electronics. Why do operators, designers, and installers





The Essential Role of the Fiber Distribution Box in

The fiber distribution box is an indispensable component in the realm of fiber optic networking. By providing organization, protection, and ease of maintenance, it



Amazon : Fiber Distribution Box

ETS Fiber Optic Distribution Box 4 Core - IP65 Waterproof, UV Resistant, FTTH, FTTx, Wall/Pole Mountable, Industrial Networks, Fusion Splicing, SC/LC/FC Adapters, Cable Management Add to cart

Fiber Optic Boxes (Perfect for Electronics!)

Shop for FBR Series Fiber Optic Boxes from BUD Industries. These NEMA enclosures are designed for indoor use and have an IP65 rating.



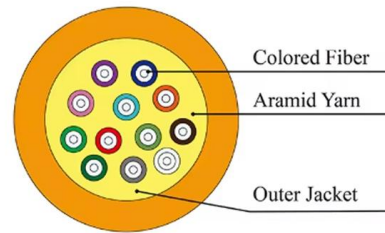
The Technical Specifications for Fiber Distribution Boxes

The fiber distribution box, also known as the optical fiber termination box, is a critical component in fiber optic networks. It is primarily used to



What Are Distribution Boxes and Their Functions in

Understand the role of distribution boxes in fiber optics. Learn about their components, types, and functions in protecting and managing fiber optic



Fiber Distribution Architecture

The units are ideal in applications that require low-fiber-count distribution (school systems, public libraries, and businesses) and are available in two sizes: 3- and 6-panel housing.

How To Choose Fiber Optic Distribution BOX - Topfiberbox

How to choose fiber distribution box? The following points help you to understand everything about it. Contact us to help you out.



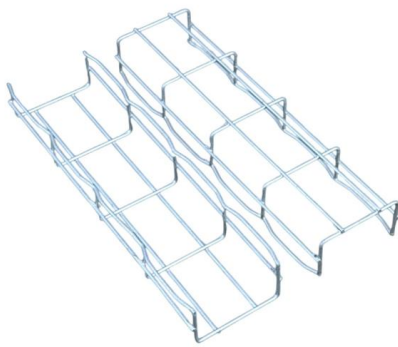
Fiber Distribution Box & Terminal Box , Top-Quality

Specializing in both copper and fiber solutions, our products are designed for superior performance in data centers and FTTX applications. With over 35 years



What Is a Fiber Distribution Box (FDB)

What Is a Fiber Distribution Box? Why It Matters for FTTH Network Organization In FTTH networks, performance is not only determined by fiber type or connector quality. Network

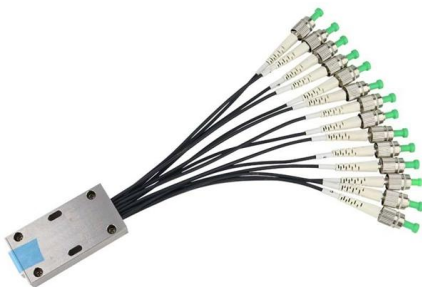


Distributors: Splice Boxes & Optical Network Terminal

Comprehensive selection of splice boxes, trays and more for your fiber optic network Splice boxes and splice distributors are essential for a reliable fiber optic cabling

Fiber Distribution Box Basics

Telecommunications Networks: In telecommunications networks, fiber distribution box is used for the termination and connection of fiber optic cables



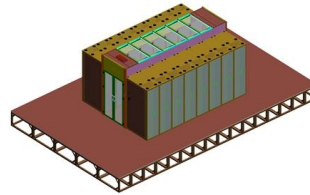
How to Choose the Right Fiber Distribution Box for

Selecting the right fiber distribution box (FDB) is a critical decision for any FTTH, FTTB, or campus PON deployment. As the junction point for fiber



Fiber Optic Boxes (Perfect for Electronics!)

The special-purpose plastic box integrates fiber splicing, splitting, distribution, storage and cable connection in one unit. It is suitable for SC and LC duplex



Contact Us

For datasheets, pricing, or custom high-speed optical interconnect solutions, please visit:
<https://www.syropy.com.pl>