



Syropy AI Connectivity

FTTH Application-Grade CFP825G Selection Guide



MPO-MPO Low Smoke Halogen
Free Sheath

Multimode 10 Gigabit 24 pole OM3

Insertion loss $<0.35\text{dB}$ Return loss $>50\text{dB}$





FTTH Application-Grade CFP825G Selection Guide

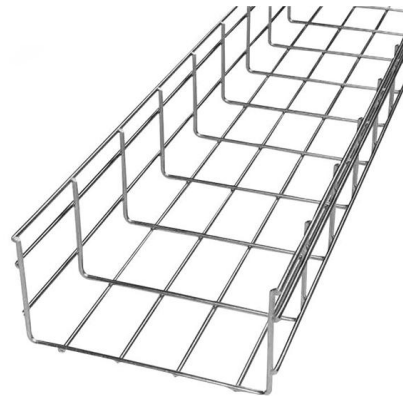


Fiber Faceplates - Selection Guide for Residential FTTH

From MDU corridors to private homes and high-rise apartments, the right faceplate simplifies installation, protects connections, and enhances user experience. In this guide, we'll

Fiber Broadband Application Guide

This section provides ordering information for the Panduit FTTH product portfolio, including multiport service terminals (MSTs), fiber drop cables, pedestal enclosures, splice closures, and fiber accessories.



Core Products

FTTH Market Assessment This free assessment functions as a preliminary feasibility study - it explores high-level design assumptions and explanations for your network, including budgetary cost estimates

How to choose the right fiber optic cable type?

This guide examines the key fiber optic cable categories, their unique advantages, and critical selection criteria, including bandwidth, distance, bend



Qorvo Broadband Access, CATV & FTTH Product Selection Guide

Technology Leadership in Broadband Connections Through Best-in-Class Innovative RF Solutions Qorvo offers leading technology and comprehensive product solutions for demanding hybrid fiber

Broadband Fiber to the Home

Our integrated FTTH solution simplifies the installation process, reducing labor costs and accelerating deployment timelines, ensuring you can meet project deadlines efficiently.



FTTH Core Products EMEA

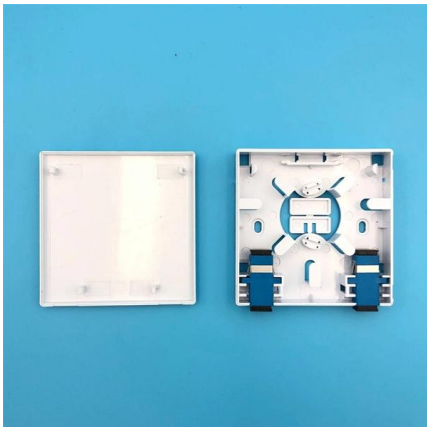
Why Trust Your Network to Corning? Corning is a diversified technology company with a proud history of developing breakthrough technologies that significantly improve people's lives. We've been changing





How to Choose the Best Drop Clamp for FTTH Cable: Complete Selection

Expert guide on selecting FTTH drop clamps: compare materials (nylon, steel, composites), evaluate cable compatibility, assess mechanical load capacity, and avoid common

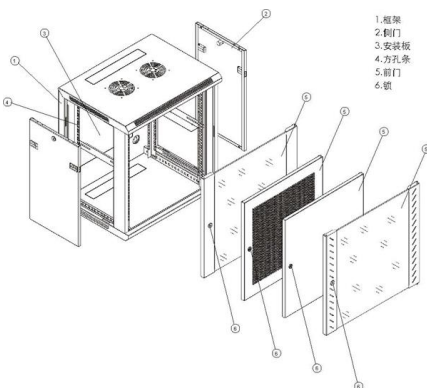


FTTH Networks

Fibre to the Home (FTTH) Connect to World-Class FTTH Innovation FTTH is the installation and use of optical fibre to provide high-speed broadband access to individual buildings or multidwelling units

The FOA Reference For Fiber Optics

The Fiber Optic Association Fiber To The Home Handbook: For Planners, Managers, Designers, Installers And Operators Of FTTH - Fiber To The Home -



BRCM_ Network Connectivity Selection Guide 051821 dd

1G, 10G, 25G, 40G, 100G, 200G, and 400G Ethernet transceivers in both short reach multimode fiber (MMF) and medium/long reach single-mode fiber (SMF) configurations as well as products for 4G,

Defining Your FTTH Network Architecture ,



That direct connection provides extremely high data transmission speeds capable of supporting high-bandwidth applications, like high-definition video streaming, online gaming, video conferencing, and



Fiber Optic Cable Buying Guide , Eaton

Fast data transmission, thinner, lighter cables and long signal range are just a few of the benefits that make fiber optic cable a solid choice for corporate data

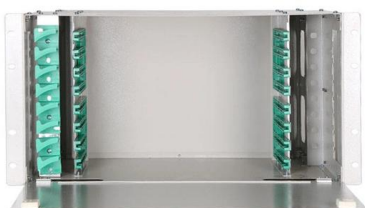
FTTH Handbook - edition 9 , FTTH Council

Discover the updated FTTH Handbook, Edition 9 - your complete guide to fibre network planning, design, build, and operation, now with new



Broadband Fiber to the Home

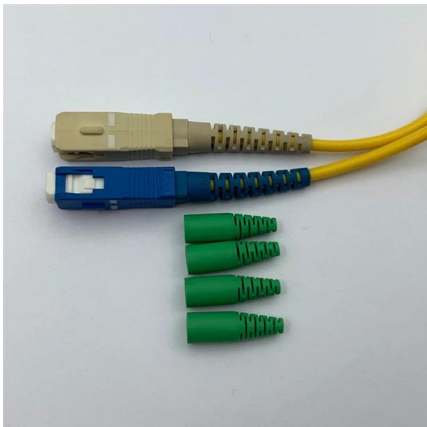
Fortify your FTTH deployments and preserve the shelf-life of your network with the weather-hardening technology in our Fiber Drop Cables and Multiport Service





Selection guide for FTTH deployment

Three types of splitter include steel tube, ABS box and Cassette. Future Trends in FTTH Hyper-Speed Connectivity: Future FTTH networks will offer unprecedented data transmission speeds



Fiber Optic Splitters - Selection Guide for FTTH Networks

According to Lightwave Online, FTTH growth is accelerating demand for high-performance passive fiber splitters worldwide. Whether you're deploying

FTTH Selection Guide

Central Office/Headend Solutions Corning Optical Communications FTTH Selection Guide , CRR-1184-AEN , Page 6 The core of every network is the central office or headend (CO/HE). It's the foundation

8-Port PLC Fiber Splitter Box
12-Port SC Fiber Splitter Box
Size: 235*215*75mm
Material: ABS, IP65,



Qorvo Broadband Access, CATV & FTTH Product Selection Guide

Applications from DC through Ka-band High power density o Proven reliability at high junction temperatures, mean time to failure (MTTF) of greater than 10⁷ (10 million) to 10⁹ (1 billion) hours at



FTTH Design Solutions , Fiber to the Home Network

The simplest way to begin designing a fiber-to-the-home (FTTH) network architecture is to consider where you'll be building it. These four options are the most common



Broadband Access, CATV & FTTH Product Selection

Explore Qorvo's comprehensive product selection guide to uncover groundbreaking innovations in broadband technology. From advanced RF solutions to gallium

FTTH module comparison 2025: The ultimate guide for

FTTH module comparison 2025: 1U vs 3U vs 4U systems explained. Complete guide for optimal module selection with cost-benefit analysis. Made in



Qorvo^@ Broadband Access, CATV & FTTH Product Selection Guide

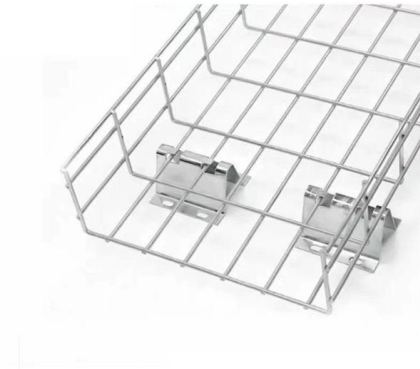
Qorvo offers leading technology and comprehensive product solutions for demanding hybrid fiber coaxial (HFC) and broadband applications. Qorvo's broadband portfolio includes high power amplifiers in





FTTH Solutions , Evaluate Your FTTH Network Solution

Once you have defined your Fiber-to-the-Home (FTTH) network needs, it's time to go a step further and evaluate the numerous options you have before purchase and



FTTH Selection Guide

Preterminated OptiTap® connector-enabled products became an industry fiber Crimplok™+ connector - First-known, commercially available,

FTTH Design Solutions , Fiber to the Home Network

Designing a network? Corning provides insights, tips, and best practices to ensure your FTTH network architecture is designed and optimized for the future.



FTTH solutions for North America

This quick reference guide is a selection of popular solutions, suitable for a wide range of applications and environments. Start building your fiber network today.



Contact Us

For datasheets, pricing, or custom high-speed optical interconnect solutions, please visit:

<https://www.syropy.com.pl>