

FC Interface Fiber Optic Disk





Overview

The Fibre Channel physical layer is based on serial connections that use fiber optics to copper between corresponding pluggable modules. When the technology was originally devised, it ran over optical fiber cables only and, as such, was called "Fiber Channel".



FC Interface Fiber Optic Disk



Fiber Channel over IP (FCIP)

FCIP transparently interconnects Fibre Channel (FC) SAN islands over IP networks, while iSCSI allows IP-connected hosts to access iSCSI or FC-connected storage. iSCSI and FCIP are typically used for

Fujitsu MAW3300FC Fiber Fibre Channel Hard Disk

Fujitsu 300GB 10K 2Gbps 40pin FC-AL Fibre Channel Hard Drive MAW3300FC - Brand New Fujitsu's latest generation of Rohs compliant 10K Enterprise Fibre



Understanding Fibre Channel , Junos OS , Juniper Networks

Fibre Channel (FC) is a serial I/O interconnect network technology capable of supporting multiple protocols. It is used primarily for storage area networks (SANs).



Fibre Channel (FC) interface

These modules may have Fibre Channel ports, Ethernet/iSCSI ports, or even NVMe-over-FC support. They ensure high-speed data transmission and redundancy in enterprise storage solutions.



Fiber Channel Hard Drive Used with Other Ports

I have a question is it possible to use a Fiber channel hard disk with a SATA or IDE port? How could I accomplish this if its possible?



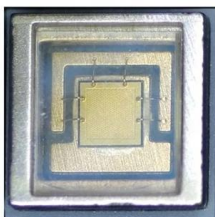
How do I connect a Fibre Channel drive to my desktop PC?

How do I connect a Fibre Channel drive to my desktop PC? Installing a Fibre Channel drive in a PC is not recommended, but this article gives instructions. Seagate offers many hard drive models with the



What is Fibre Channel? History, layers, components and

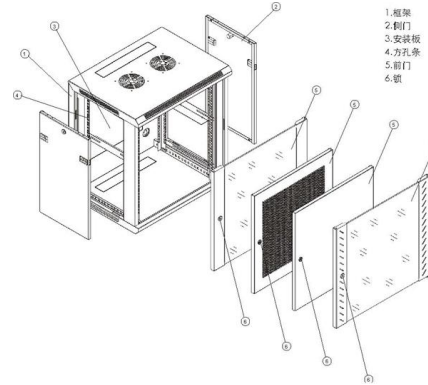
Fibre Channel offers point-to-point, switched and loop interfaces to deliver lossless, in-order, raw block data. Because Fibre Channel is many times





Understanding Fibre Channel , Junos OS , Juniper Networks

The committee standardizing FC is the International Committee for Information Technology Standards (INCITS). When configured as a Fibre Channel over Ethernet (FCoE)-FC gateway, the QFX3500



- 1. 框架
- 2. 侧门
- 3. 安装板
- 4. 方孔条
- 5. 前门
- 6. 锁

- ✓ Slow Axis Aligned (0°) - for standard sensing applications
- ✓ Fast Axis Aligned (90°) - for special modulation applications
- ✓ 45° Axis Aligned - for depolarizer applications



Disk Attachment Technology FC vs SAS vs iSCSI

Fibre Channel is a transport Protocol (FCP) which transfers SCSI commands and data over Fibre Channel networks. FC supports a much higher

Basics of the Fibre Channel Standard , TV Tech

The standard of choice for many of the high-performance video media storage platforms is the Fibre Channel (FC), which is more than just switching or a type disk drive interface. FC is a vast



FC/APC Stainless Steel Polishing Disk

When hand polishing fiber optic connectors, you can't afford to leave anything to chance. These Fiber Optic Hand Polishing Discs, or hockey pucks as some

FC-AL



Fiber / Fibre Channel hard drives are almost exclusively for usage in servers that use hot swappable (hot-swap) drives with a Fiber Channel 40-pin "SCA-2" hot pluggable backplane. You use a hard



Fibre Channel Interfaces

Fibre Channel hardware interconnects storage devices with servers to form the Fibre Channel fabric. The fabric consists of the physical layer, interconnect devices and translation devices.



Fibre Channel Hard Drive Interface

Fibre channel is a type of SCSI hard drive technology used in high-end systems with multiple hard drives installed. Using optical fiber to connect devices, fibre channel supports full-duplex data transfer rates



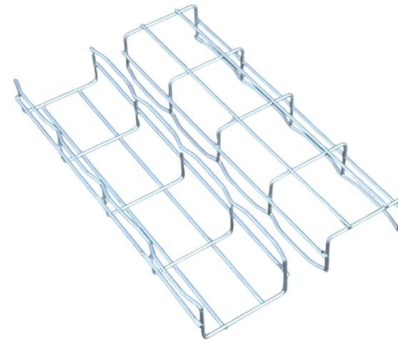
Fibre Channel Transceivers: Speed, Reliability & SAN Solutions

It acts as the key interface between Fibre Channel-specific devices--such as FC switches, host bus adapters (HBAs), and storage arrays--and optical fiber cabling, enabling reliable,



The Ultimate Guide to FC Connector: Everything You

IEC 61754-13: Fiber optic connector interfaces--Type FC connector 2. TIA-604-4: FOCIS 4 Fiber Optic Connector Intermateability Standard These

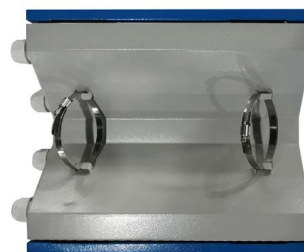


100Pcs Ceramic Sleeve ST/FC Universal Fiber Optical Adapter Port

100Pcs Ceramic Sleeve ST/FC Universal Fiber Optical Adapter Port Interface m Price: US \$11.80 Product Description Features: Excellent anti-aging performance Good concentricity and inner hole

What are Fibre Channel hard disk drives (FC HDDs)

Fibre Channel hard disk drives (FC HDDs) are a type of server hard drive that uses the Fibre Channel interface to communicate with the host server.



LoRawan outdoor base station

- * Industrial Internet gateway
- * Compatible with LoRaWAN network,
- * ClassA/B/C mode
- * Support 8/16 channel
- * Supports PoE power
- * supply and backup battery power supply
- * 10KV lightning protection



Hardware

Hardware Fibre Channel hardware interconnects storage devices with servers and forms the Fibre Channel fabric. The fabric consists of the physical layer, interconnect devices, and translation



Fundamentals of Fibre Channel

Fibre Channel is a high-speed network technology used to connect server to data storage area network. It handles high performance of disk storage



Fibre Channel (FC) interface

A Fibre Channel (FC) interface consists of multiple components that work together to facilitate high-speed data transfer in Storage Area Networks (SANs). The key components include: 1.

Optical fiber connector

An optical fiber connector is a device used to link optical fibers, facilitating the efficient transmission of light signals. An optical fiber connector enables quicker



Fibre Channel 101 - Fibre Channel Industry Association

Fibre Channel (FC) is the storage networking protocol for enterprise data centers, with over 11 Million ports deployed. Fibre Channel is purpose-built and engineered to meet the demands



FCP (Fibre Channel Protocol)

Fibre Channel Protocol (FCP) is the SCSI (Small Computer System Interface) interface protocol operating on an established Fibre Channel



NVMe over Fibre Channel: What You Need to Know

NVMe-over Fibre Channel (NVMe-FC, or NVMe over FC) uses NVMe-based message commands to transfer data and status information between a

PA-FC-1G Fibre Channel Port Adapter Installation and Configuration

The FC port is a 1000-Mbps optical interface in the form of an LC-type duplex port that supports IEEE 802.3z interfaces. The SFP is compliant with the 1000BASEX standard and the IEEE



4.2 Fibre Channel (FC) SAN Components

Fibre Channel (FC) SAN Physical Components The key FC SAN physical components are network adapters, cables, and interconnecting devices. These



Contact Us

For datasheets, pricing, or custom high-speed optical interconnect solutions, please visit:

<https://www.syropy.com.pl>