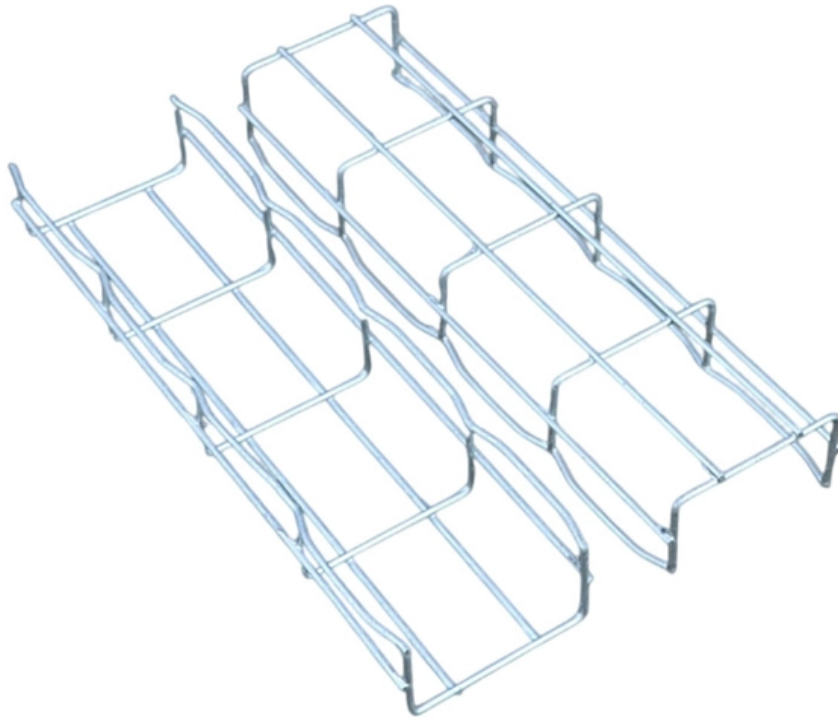




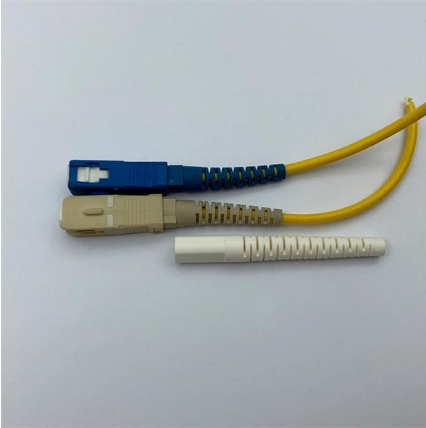
Syropy AI Connectivity

Exposed Wiring Lighting Distribution Box





Exposed Wiring Lighting Distribution Box



Lighting distribution system wiring diagram

Lighting distribution system wiring diagram (Emergency lighting power supply and High-rise building) When the building is a Class A high-rise building, the two

Wiring requirements of distribution box

Wiring requirements of distribution box Upper incoming line, lower outgoing line, main circuit on the left, control circuit on the right, horizontal and vertical. The exposed laying can take the sheath line, or



Power Distribution Boxes Explained Simply

Learn what a power distribution box is, how it works, key components, types, and why it's vital for safe and efficient electrical systems.



Lighting Distribution Boxes for Power Control

Ready to upgrade your lighting installations? Browse our selection of lighting distribution boxes today and ensure your projects meet the highest professional standards.

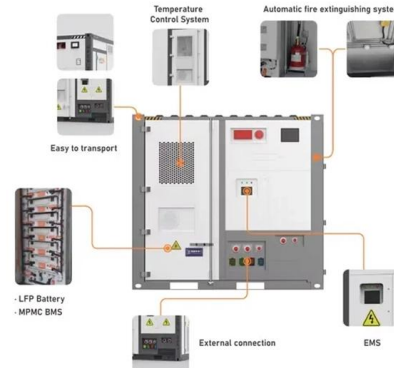


Outdoor Electrical Junction Box: Types & NEC Code Requirements 2025

You'll learn what they are, why they're required, the difference between junction boxes and distribution boxes, types

Distribution Box Installation: A Complete Guide to Safe

The distribution box, often referred to as a breaker box, fuse box, or electrical panel, is a critical component of any electrical system. It acts as the central hub for



12 types of distribution boxes and how to choose them

In this guide, we'll break down the 12 main types of distribution boxes in a way that's easy to understand. We'll chat about what each one does, where it shines, and then dive into how to choose the perfect



How to Install a Cable Distribution Box Safely and

Application scenarios: The distribution box is widely used in residential, commercial, and industrial electrical systems as the core distribution



Outdoor Cut Outs and Distribution Boxes

Lucy Electric's range of low voltage outdoor cut outs and distribution boxes is engineered for durability, safety, and ease of installation in demanding

Key Points Of Installation And Collocation Of Distribution Box In

If they are combined in the same distribution box, power and lighting lines should be set separately. 7. The wire inlets and outlets in the distribution box and switch box shall be set at the lower bottom of



How To Install A Ceiling Light With Exposed Wiring

Ensure no exposed wire is exposed by securely covering each connection using wire nuts to avoid electrical hazards and maintain safety and efficiency. Installing a ceiling light involves



The Complete Guide to Distribution Box: Installation, Types & More

A distribution box, also known as a distribution board, electrical panel, or breaker box, is an enclosure that houses electrical components responsible for distributing electricity throughout a



Household Lighting Distribution Box Concealed Exposed Empty

Product Information Section Household Lighting Distribution Box Concealed Exposed Empty Protection Box Leakage Wiring Box pz30 Switch Box Leak Protection Box UYOB No

Distribution Box Wiring Principles

?Functionality?: The wiring diagram should clearly reflect the functional requirements of the Distribution box, including the correct connection of power



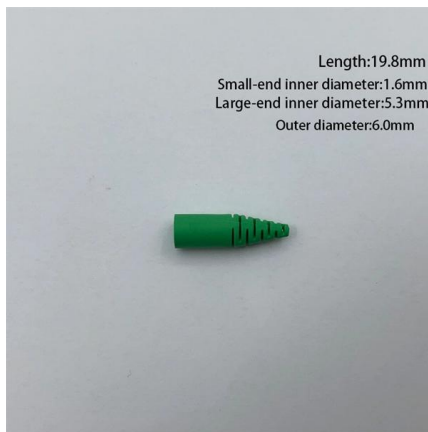
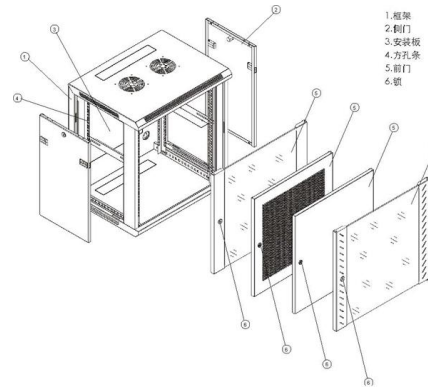
acceptable exposed wiring methods

But it's more industrial looking so all the wiring that would be in the walls, is exposed conduit. You can minimize the wiring that would normally be in the walls by leaving the switching in



Distribution Boxes and Empty Enclosures

Explosion-proof illumination distribution boxes
 Explosion protection Gas explosion protection
 Dust explosion protection Certificates For gas
 explosion protection For dust explosion
 protection



flex7 Lighting Distribution Boxes

Flex7 Lighting Distribution Boxes are both designed and fully manufactured in the UK. This means that you'll never have supply issues, waiting for our products to

Outdoor Electrical Boxes , Durable Exterior & Junction

Protect sensitive electrical connections in any environment, including underground, with a Polycase outdoor junction box. Designed to meet NEMA and IP ratings,



High-Quality Electrical Lighting Distribution Boxes Explained

Electrical lighting distribution boxes, also known as lighting control panels or lighting distribution boards, are specialized enclosures designed to house and protect electrical components that control and

Distribution boxes

In this case, we recommend BEGA distribution



boxes for installation in soil. After connecting the electrical lines to the terminals, the distribution box must be filled



Understanding Distribution Boxes: A Comprehensive Guide

These boxes come in a variety of sizes and shapes depending on how complex a system is and the electric requirements of the building. A variety

Electrical Boxes ! ATEK Distribution

ATEK Distribution supplies professional-grade electrical boxes for residential, commercial, industrial, and government projects nationwide. As a certified



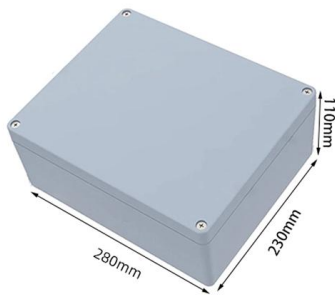
The installation requirements for the distribution box

Learn how to install a distribution box safely and correctly. Covers wiring, placement, standards, and expert tips for a compliant setup.



Electrical Distribution Box royalty-free images

Find 27,418 Electrical Distribution Box stock images in HD and millions of other royalty-free stock photos, 3D objects, illustrations and vectors in the Shutterstock



How to Wire a Junction Box for Lighting: Circuit Diagram

Learn about the wiring diagram for a junction box lighting circuit. Understand how junction boxes are used to connect and distribute electricity for lighting fixtures in

Distribution Boxes

Get the best quality distribution boxes & other lighting with TradeSparky - UK electrical wholesaler for domestic and industrial supply. Shop online today



Distribution Boxes and Enclosures

Distribution Boxes Browse our selection of high-quality distribution boxes and enclosures for your electrical applications. We offer a variety of sizes and



Contact Us

For datasheets, pricing, or custom high-speed optical interconnect solutions, please visit:

<https://www.syropy.com.pl>