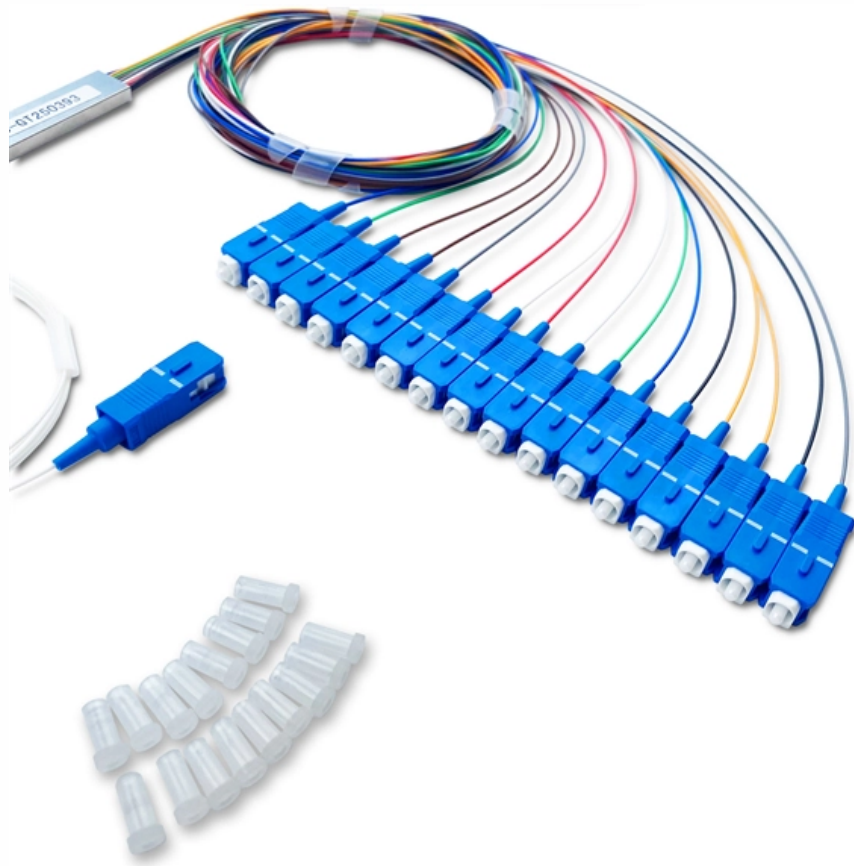


Ethiopia has fiber optic cables



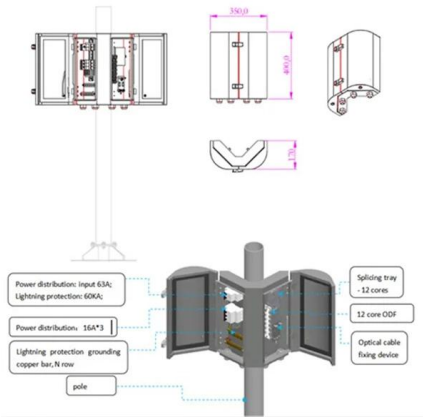


Overview

In 2005, Ethiopia announced plans to spend hundreds of millions of dollars over the next three years to connect all of the country's schools, hospitals, and government offices, and most of its rural population, to broadband Internet via satellite or fiber-optic cable. Between 2005 and 2007, the government spent US\$40 million to install WoredaNET and SchoolNET, two nationwide networks meant to increase connectivity.



Ethiopia has fiber optic cables



Niger Takes A Major Step Towards High-Speed

Group photo taken at the ceremony for the provisional acceptance of fibre optics at the Niger Telecoms office, Niamey, Niger The project has two

Ethiopia o State power utility seeks funds to develop fibre optic

Ethiopian Electric Power (EEP), a state-owned enterprise, is hoping to secure a concessional loan from the European Investment Bank (EIB) and the French Development Agency



HUBER+SUHNER and Microsoft Azure announce new investment to

Fiber optic manufacturer HUBER+SUHNER has strengthened its partnership with Microsoft Azure Fiber to accelerate the rollout of its Hollow Core Fiber (HCF) cable and connectivity



Fiber Optic Cable

Belden's extensive line of indoor and outdoor cable products is offered in tight buffer and loose tube designs. Learn more about each fiber cable Belden has to offer.

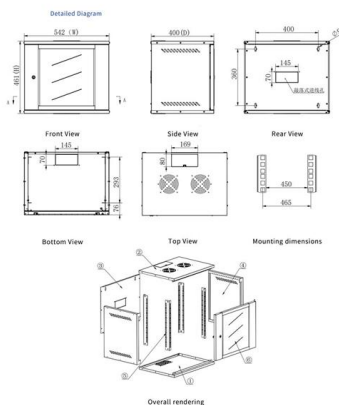
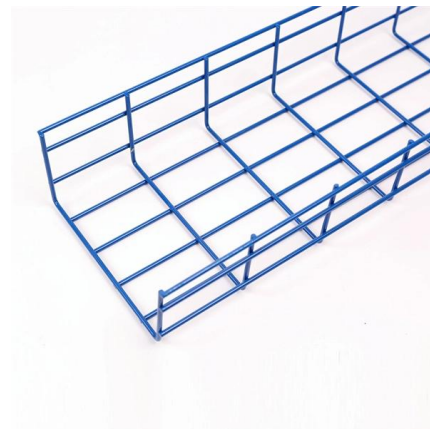


Xi may help Trump on Iran, but at a price , Iran International

Countries should pay Iran annual fees for fiber-optic cables that pass beneath the Strait of Hormuz, an Iranian lawmaker said, saying that hundreds of billions of dollars in financial

Ethiopia lengthening fiber-optic line to 10,000 kms

With the aim of expanding telephone and internet services, Ethiopian government is working to extend the current 7,000 kms of fiber-optics line to 10,000 kms in the coming three



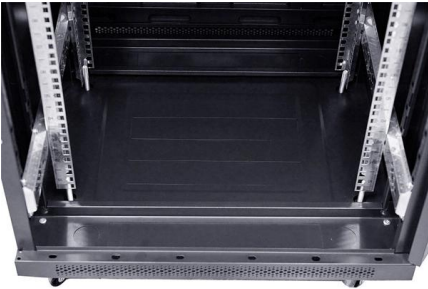
Optical Communications Products

Browse our optical communication connectivity products designed to help you enable your communication networks. Easily create a bill of materials list.



Safaricom Ethiopia , Mobile Data, Packages & 4G Network

Safaricom Ethiopia and Ethiopian Electric Power (EEP) signed a five-year lease agreement to share dark fiber-optic on March 10, 2022. Over the course of few decades, EEP has



Fiber Optic Coverage & Internet Usage Statistics in Ethiopia (2026)

An overview of Ethiopia's fiber optic infrastructure and internet usage projections for 2026, highlighting digital growth in East Africa.

Cameroon Ranks Last in Global Fiber Optic

Infrastructure in place, but underused This poor ranking comes despite the scale of fiber infrastructure Cameroon has already rolled out. By the



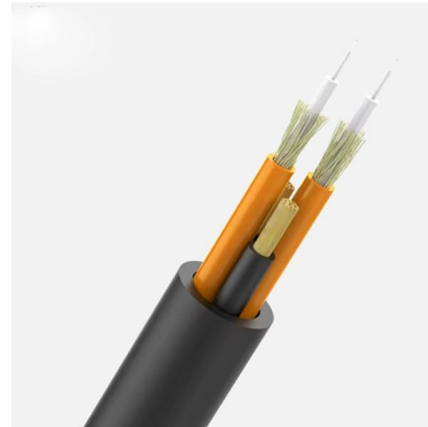
Safaricom inks fiber deal in Ethiopia

Safaricom has signed its first major infrastructure deal for its expansion into Ethiopia, penning a five-year lease agreement to share a dark



EU Pledges \$660 Million for Ethiopia's Energy and Digital

The European Union committed EUR559 million (\$660 million) to support Ethiopia's economic transformation. Funding targets energy infrastructure, fiber deployment, and digital ecosystem

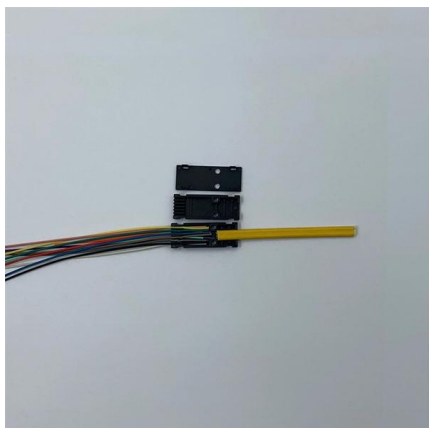
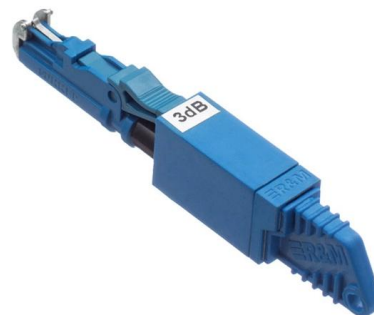


Kenya Accelerates Fiber Rollout with World Bank Support

As part of this initiative, the government has launched the deployment of 940 kilometers of fiber optic cables to improve national connectivity. The announcement was made by John Tanui, Principal

East Africa telecoms companies launch new fibre

Ethio telecom, Djibouti Telecom and Sudatel Group sign an agreement to deploy a cross-border optical fibre corridor linking submarine cables across



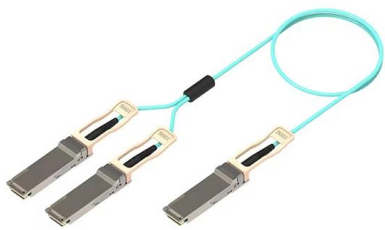
Ethiopia Fiber Optic Cable Market 2023-2030

In Ethiopia, Huawei unveiled its brand-new OptiXtreme™ 400G DR4 series of fibre optic cables. Long-haul and metro networks can make advantage



Safaricom signs fibre optic deal in Ethiopia

Safaricom, the newest telecom operator in Ethiopia, has signed a five-year lease agreement with state-owned power utility Ethiopian Electric Power (EEP) to share dark fibre-optic



Hezbollah adopts fiber-optic drones, used widely in war in Ukraine

Hezbollah has introduced fiber-optic drones in its conflict with Israel. These drones, similar to those used in Ukraine, are small, hard to detect, and lethal.

Optical Fiber , Optical Fiber Products , Corning

Optical fiber broadband brings together a culture of innovation, quality, and manufacturing excellence to create life-changing products.



Strategic Partnership Announced Among Ethio telecom, Djibouti

By addressing the limitations of submarine infrastructure, the Horizon Fiber Cable Initiative not only improves connectivity within the region but also strengthens the digital transformation efforts



Ethiopia terrestrial fiber network map (Reprinted under

Ethiopia terrestrial fiber network map (Reprinted under the Creative Commons Attribution 4.0 International (CC-BY-4.0) from "African Undersea and Terrestrial



6 Strand Single Mode Outdoor Fiber Optic Cable Buying Guide

Choose 6 strand single mode outdoor fiber optic cable by OS2 fiber, jacket, strength member, water blocking, drum length, and installation.



Makuei reveals plan to bring fiber optics from Ethiopia, Sudan

ADDIS ABABA, (Eye Radio) - The National Minister of Information Michael Makuei has announced a plan to extend new fiber-optic cables from Ethiopia and Sudan to South Sudan to boost



Internet in Ethiopia

OverviewAvailability of InternetRegulation and ISPs
CensorshipSurveillanceInternet speed

In 2005, Ethiopia announced plans to spend hundreds of millions of dollars over the next three years to connect all of the country's schools, hospitals, and government offices, and most of its rural population, to broadband Internet via satellite or fiber-optic cable. Between 2005 and 2007, the government spent US\$40 million to install WoredaNET and SchoolNET, two



nationwide networks meant to increase connectivity. WoredaNET provides e-mail, videoconferencing and Voice over Internet Protocol (VoIP) s

Horizon Fiber Initiative to interconnect Ethiopia, Djibouti

Ethio Telecom, Djibouti Telecom, and Sudatel Telecom Group have signed a Memorandum of Understanding (MoU) to create a multi-terabit,

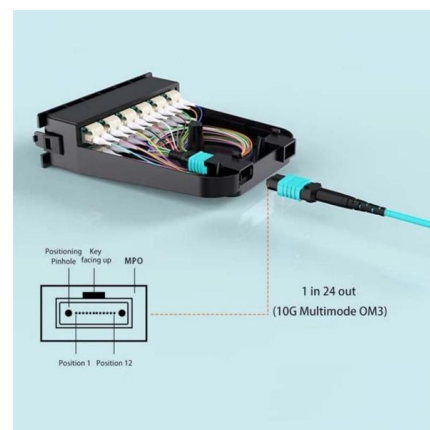


Omantel's 'Gulf to Africa' cable to revolutionise telecoms

Omantel has joined a consortium comprising several East African telecommunications providers to lay the Gulf to Africa (G2A) undersea fibre-optic

EU resumes direct budgetary support to Ethiopia

Significant funding will be directed toward the RISE program, which has already successfully reached 4 million people by modernizing power grids and installing 2,500 kilometers of



Safaricom Ethiopia Begins Fibre Link Between Two Cities

Safaricom Telecommunications Ethiopia has initiated the installation of a critical fibre optic network linking Afdera to Mekelle. The endeavour promises to



Contact Us

For datasheets, pricing, or custom high-speed optical interconnect solutions,
please visit:
<https://www.syropy.com.pl>