

Epon and Industrial Ethernet Switches





Epon and Industrial Ethernet Switches



The Communication Network Scheme Based on EPON and Industrial

In order to meet the demand of security zone and reliable transmission for the business in smart distribution network, this paper proposes a communication network scheme based on EPON and

Industrial Ethernet Switches - Cost-Effective,

Industrial Ethernet Switches WAGO's range of switches ensures the scalability of your ETHERNET network infrastructure, while providing outstanding electrical



2026 PON Evolution Guide: EPON, GPON, XGS-PON

Learn how PON evolved from APON/BPON to EPON, GPON, XGS-PON and 10G-EPON, and how to choose right fiber access technology for FTTH,

Industrial Ethernet Switches

Modernize your operations with Cisco Industrial Ethernet switches: Increase productivity, boost security, and empower industrial AI.



Breaking Down the Basics of Industrial Ethernet Switches

An industrial Ethernet switch is a network switch specifically designed for harsh environments. Unlike standard Ethernet switches used in offices, these switches

Industrial Ethernet

What is Industrial Ethernet? Learn about Ethernet industrial protocol solutions for harsh-environment applications.> Review and order industrial ethernet products



PON vs. Ethernet: A Comprehensive Comparison of

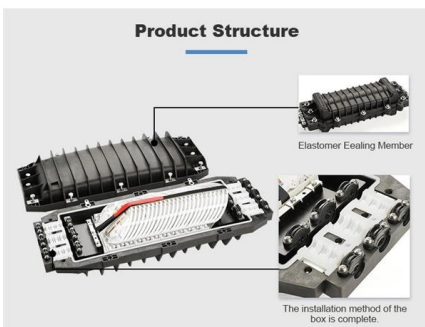
It uses active components like switches and routers to create point-to-point or star-topology networks, primarily for Local Area Networks (LANs) and





Industrial Ethernet Switches , EtherWAN

Industrial Ethernet switches offer advanced management features with the redundancy and security elements required for essential applications. EtherWAN's lineup includes unmanaged, managed,



Industrial 1-Port GE + 3-Port FE EPON/GPON (XPON)

This device is one of our company's latest industrial-grade GPON/EPON passive optical network communication terminals. It provides 1 GE port, 3 FE ports, and 1

A Secure Ethernet Passive Optical Network Protocol for Industrial

Ethernet Passive Optical Network (EPON) is a high-speed, energy-efficient fiber optic network that has gained attention with the growth of the Industrial Intern



Industrial Ethernet Switches , Eaton

Tripp Lite's industrial-grade network switches expand Gigabit Ethernet connectivity to factory floors and other environments with harsh conditions and extreme temperatures.



The Role of Industrial Ethernet and PoE Switches in

This article explores how Industrial Ethernet and PoE switches are essential in driving industrial automation networks, improving efficiency, and enabling the

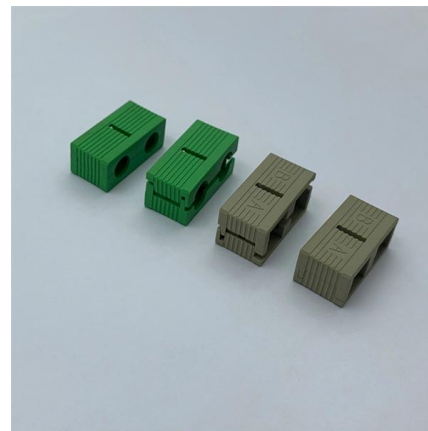


Industrial Network Switches , Industrial Ethernet

Industrial network switches operate in rugged environments & high temperatures. Use our trusted hardened ethernet switches to strengthen network security.

The Communication Network Scheme Based on EPON and Industrial Ethernet

The scheme using the advantage of EPON and industrial Ethernet technology, transmits different partitions business on distribution network. The analysis shows that the scheme can



Industrial PoE Switches , PoE Industrial Switch

An industrial PoE Gigabit Ethernet Switch can deliver high-speed voice and data transmission while powering endpoint devices over long distances. By eliminating the need for external power supplies,



The difference between industrial Ethernet switches and industrial EPON

Among industrial communication products, industrial Ethernet switches and industrial EPON are two common products, and they are the two most important distribution network communication solutions.



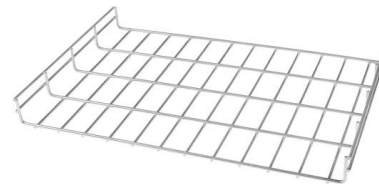
The difference between industrial Ethernet switches and industrial EPON

Among industrial communication products, industrial Ethernet switches and industrial EPON are two common products, and they are the two most important distribution network communication



Industrial Ethernet Switches , Phoenix Contact

Our Industrial Ethernet Switch portfolio comprises Managed and Unmanaged Switches with Gigabit, PoE, IEC 61850 certification, and for DIN rail mounting.



The Role of Industrial Ethernet and PoE Switches in

Explore how Omnitron Systems' Industrial Ethernet and PoE switches enable seamless automation, power IIoT devices, and enhance Industry 4.0 networks.



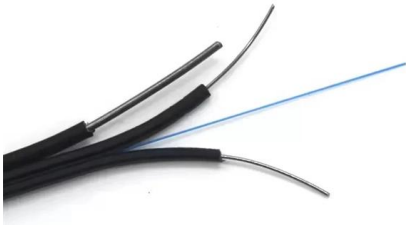
IEC 61850-3/IEEE 1613 Ethernet Switches , EtherWAN

Industrial Ethernet switches meeting IEC 61850-3/IEEE 1613 with 10G SFP+, 1588v2 PTP, PRP/HSR, and GOOSE/SV. For substations, power plants, and renewable sites.



EtherWAN PoE Solution and Industrial Ethernet

EtherWAN delivers industrial-grade Ethernet solutions including managed switches, media converters, and rugged network devices designed for harsh environments.



Industrial Switch: Understanding Industrial Ethernet

What is an Industrial Ethernet Switch? An industrial Ethernet switch is a type of network switch designed to operate in harsh industrial environments.



Managed Industrial Ethernet Switches

Managed Industrial Ethernet Switches and hardened managed Ethernet switch solutions deliver copper and fiber gigabit Ethernet connectivity in harsh



EPON (Ethernet passive optical network)

Introduction: Ethernet Passive Optical Network (EPON) is a fiber-optic access technology that is designed to provide high-bandwidth, reliable and cost-effective broadband services to both



A Guide to Picking the Right Industrial Ethernet Switch

Understanding the importance of Industrial Ethernet Switches is crucial in maintaining reliable and efficient network connectivity within industrial

Hanutech EPON OLT Pon Module 1.25G Uplink/1.25G

Hanutech EPON OLT Pon Module 1.25G Uplink/1.25G Downlink SFP PX20+++ 1490nm/1310nm 7.5dbm-9dbm Transceiver Optical Module Ethernet Switch :



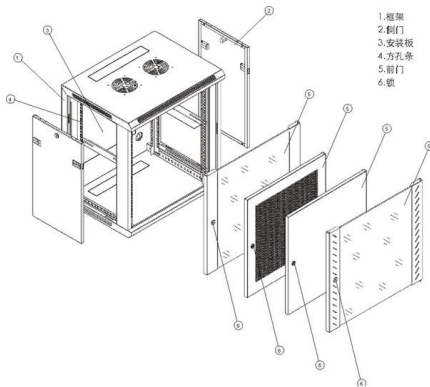
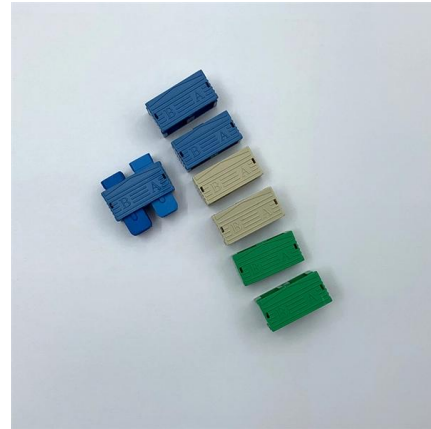
Support

The PON technology includes: · Ethernet PON (EPON), a passive optical network based on Ethernet, is based on the IEEE 802.3ah/802.3av standards. · Gigabit PON (GPON): Mainly based



EPON -- An All Fiber Access Network

PONs that use the Ethernet protocol are called Ethernet passive optical networks or EPONs. EPON leverages an all-fiber optic transport system and signaling



Industrial Ethernet Switches

Provides an overview of deploying PoE in an industrial environment, exploring how this sector can benefit from PoE technology and describing the

Contact Us

For datasheets, pricing, or custom high-speed optical interconnect solutions, please visit:

<https://www.syropy.com.pl>