

Electric Hand-operated Bridge Frame





Electric Hand-operated Bridge Frame

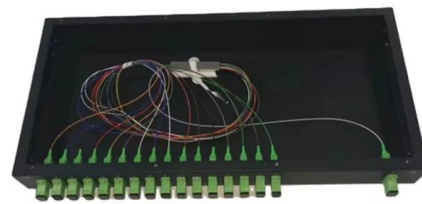


Harrington Hoists , Overhead Bridge Cranes

Harrington overhead bridge cranes are high-performance systems that easily handle today's most demanding applications. Examples include fabricating, machining, die handling, production,

Bridge Cranes

Exceptional speed control Hand Chain Drive
Chain-driven bridge cranes are operated by pulling the hand chain that drives the geared wheels



ASME B30.2: Safety Requirements for Overhead and Gantry Cranes

Volume B30.2 includes provisions that apply to the construction, installation, operation, inspection, and maintenance of hand-operated and power-driven over head and gantry cranes that



Cable bridges and cable protection from GIFAS ELECTRIC!

Cable bridges: safety and order for your cables
Cable bridges are indispensable for the safe laying and protection of cables in various environments. They protect cables from mechanical damage and



Understanding Movable Bridges and a Guide to Design and Preservation

Movable bridges are unique because they integrate conventional structural components with mechanical drives that are controlled with electrical systems ranging from original rudimentary systems to



Bridge Cranes

Overhead bridge cranes are high-performance systems built to manage heavy loads in demanding industries, such as manufacturing, warehousing, and construction.



Manual Overhead Cranes: Efficient Solutions For

Manual bridge cranes are well-suited for chemical plant environments where flammable, explosive, or corrosive gases may be present. With manual operation



A Hand-Operated Rolling Bridge Planned for London

The small-scale pedestrian bridge will use a system of hand-operated mechanisms and counterweights to rotate a full 180 degrees, accommodating



Pendant operated bridge crane suspended bridge crane single beam

Hot sales suspension single girder bridge crane with electric hoist 1. The electric single-girder underslung crane with the special characteristics of compact design and low headroom.



Guidelines for the Installation, Inspection, Maintenance and Repair of

Bridge type structures should have the end frames erected, followed by the bridge. Prior to erection, the separate parts of the structure, posts, end frames, mast arms, and trusses, should be inspected for



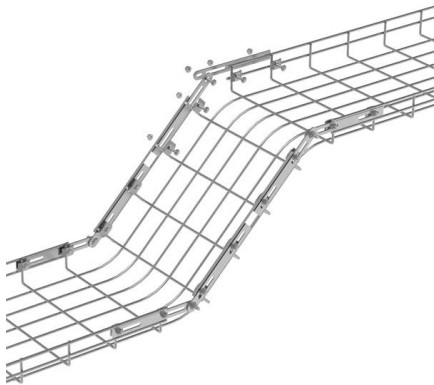
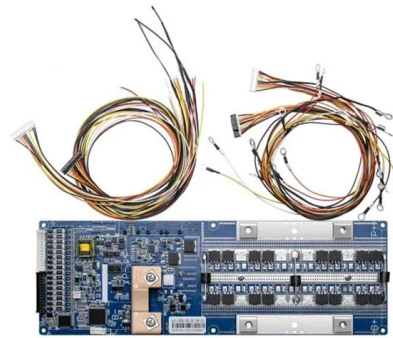
Electric Overhead Traveling (EOT) Cranes and Hoists

The bridge consists of two end trucks and one or two bridge girders depending on the equipment type. The bridge also supports the trolley and hoisting mechanism for up and down lifting of load.



Movable bridges

We have experience in the design of many different types of movable bridges, including, for instance, drawbridges, bascule bridges, lift bridges and swing

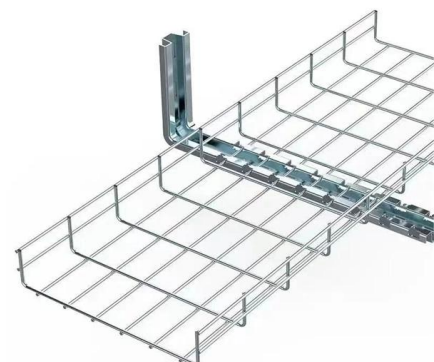


Motor Control in Humanoid Robots

Motor Type Because humanoid robots are battery powered, motor drives are designed to maximize efficiency to extend operational time-frame of the robot. When high power levels are used, humanoid

Buy Battery Powered Electric Hand Trucks and Carts and Motorized

An electric hand truck, commonly known as a powered hand trolley or motorized dolly, is a significant advancement in the realm of material handling equipment. Designed to transport heavy goods and



Bridge crane: All bridge crane basics you need know

Bridge crane basics you need know to get the right bridge crane to make the most of the bridge crane. Get to know types of bridge cranes, bridge crane configuration, bridge crane components, bridge

The bridge is normally operated on a single motor with the other motor and drive as an off-line backup. The control logic automatically alternates the motors for even wear. The drive system was the

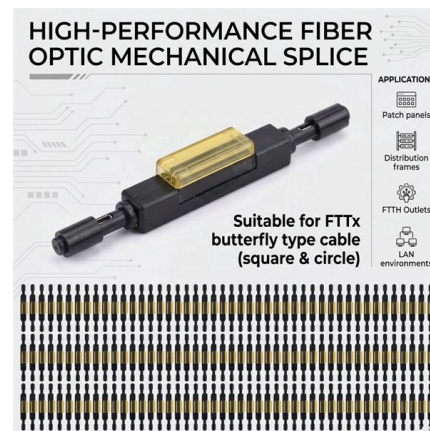


Single Girder Electric Overhead Travelling Crane EEE

Overhead Traveling, Underslung, Jib, Wall-mounted Jib and Gantry Crane with hand, pneumatic and electric drives for 250 kg to 25 t Capacity

Bridge Cranes

Featuring a reduced-torque start and electronic dual-speed operation, these bridge cranes offer superior headroom with spans that can



System Electric Hand DMC Plus

The System Electric Hand DMC plus can be operated with the 757B35=* MyoEnergy Integral, the 757B20/757B21 EnergyPack or the 757B15 X



Taking control of electric bridge and gantry cranes

Electric bridge and gantry cranes provide a means of lifting and transporting loads over the area they cover. They can frequently be seen lifting and transporting heavy materials in construction and



Remote Operated Bridges

Remote operation of movable bridges has seen growth in its adoption in both existing and new projects. However, issues that could be minor with a staffed bridge can disable a remotely operated bridge.

AASHTO GUIDELINES FOR THE OPERATION OF MOVABLE BRIDGES

The guidelines are intended to assist movable bridge owners and designers in the operational and technical considerations required to operate their bridges remotely. The research conducted yielded



Harrington 1-Ton, 20' Span Manually Operated Bridge Crane Kit

Harrington 1-Ton, 20' Span Complete Manually Operated Bridge Crane Kit. Includes Bridge Beam, Two End Trucks and attachment hardware. Cranes can be operated as Top mounted units or as Bottom



Electric Operated Shop Presses

Baileigh offers a great H frame hydraulic shop press and arbor press line that is built to very high standards that will offer years of profitable service for decades to



A Hand-Operated Rolling Bridge Planned for London Redevelopment

The small-scale pedestrian bridge will use a system of hand-operated mechanisms and counterweights to rotate a full 180 degrees, accommodating boats and barges that need to pass underneath it.

Single Girder Manual Underslung Crane EHKH

Overhead Traveling, Underslung, Jib, Wall-mounted Jib and Gantry Crane with hand, pneumatic and electric drives for 250 kg to 25 t Capacity



Flowtech

Need to retrieve a quote you have requested from one of our sales team? If you have an account and have recently requested a quote, log in



Overhead Bridge Crane Manufacturer , Single Girder

We manufacture overhead bridge cranes up to 100 tons! Overhead bridge cranes are a proven solution for heavy industrial lifting applications, as they provide the



Frame bridges

Frame bridges are often the most economical solution for smaller spans. Orthogonal and trapezoidal frames are particularly suitable for grade separations (flyovers, underpasses - modest structures in

Contact Us

For datasheets, pricing, or custom high-speed optical interconnect solutions, please visit:
<https://www.syropy.com.pl>