

EU Price Range for Cable Trays





EU Price Range for Cable Trays

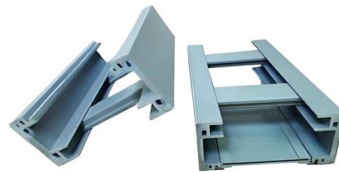


Cable Tray Market Size, Share, Industry Report 2035

Tariffs are affecting the cable tray market by increasing the cost of imported steel, aluminum, and surface-treated metal components used in ladder, wire mesh, and

EuroBox: Electrical Installation Channels and Cable Trays - EuroBox.pl

Wide range of electrical installation channels. Organize your wiring at attractive prices. Choose quality and professional service with Euro-Box!



Cable Trays , RS

Cable trays are a type of cable management system used to support and organize electrical cables and wires in commercial, industrial, and residential settings. They are typically made of metal, such as

Cable Trays Market in the European Union , Report

The EU cable trays market is an integral segment of the broader electrical equipment industry, encompassing a range of products including ladder-type, solid-bottom, wire-mesh, and



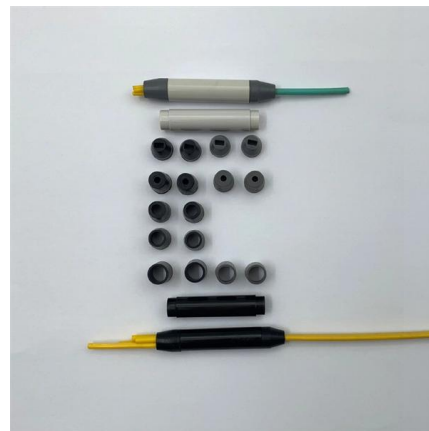
EN Series Normal Type Cable Trays

The EN SERIES Standard Type Cable Channel, which has wide usage standards, is manufactured with design and features suitable for



Cable trays Cable trays

Discover a comprehensive range of high-quality cable trays and cable ladders at ekabel24 - the reliable choice for safe, organized, and standards-compliant



Cable Tray , EAE Electric , Medium & heavy duty cable

EAE Electric cable tray systems have been designed to and easy to install. Supply a complete range of cable tray including medium & heavy duty!





High-quality cable tray covers at Ekabel.24

Optimum cable routing: Discover durable cable tray covers at Ekabel.24. Practical and reliable. Top prices! Top goods! Fast delivery!



Cable Tray Price Per Meter: Market Analysis & Cost

Discover the key factors affecting cable tray price per meter, including materials, demand, and competition. Get cost insights and future pricing trends.

Cable Trays

We are a cable tray systems manufacturer of different types and sizes, with easy installation. Based in Bucharest (Romania), we offer fast delivery and great price



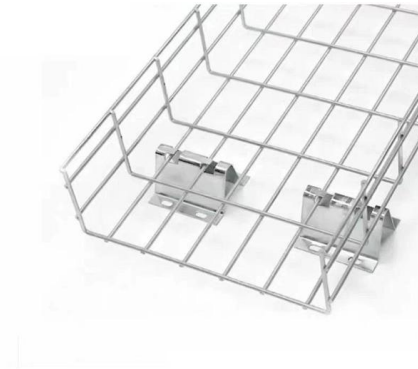
Steel Cable Tray , Strong And Reliable Cable

Steel Cable Tray Steel cable trays offer a practical and durable solution for cable management in industrial and commercial applications. Built from high-quality



Cable Tray Market Analysis, Size, and Forecast 2025-2029:

The market encompasses a wide range of offerings, from perforated horizontal trays for better cable ventilation to vertical and embedded trays for space-constrained environments.



Cable Tray Market - Size, Share, Trends, Analysis

The cable tray market is witnessing significant growth globally, driven by the increasing demand for effective cable management systems across various

Cable Tray Manufacturers In Europe, Electrical Cable Tray Suppliers

Our customers can count us for buying Electrical Cable Tray, Ladder Cable Tray, PVC Cable Tray, Mild Steel Cable Tray, Perforated Cable Tray, Raceway, Stainless Steel Cable Tray In Europe. We have



Top Cable Tray Manufacturers Worldwide: A

Global Overview of Top Cable Tray Manufacturers by Region European Cable Tray Manufacturers Europe is home to some of the world's most



Cable Trays - Euro Industrial Engineering Ltd

Ventilated cable trays made with galvanised steel. The best way to support, organise and guide any network of power and communication cabling. Available in a range of lengths and angles to fit any

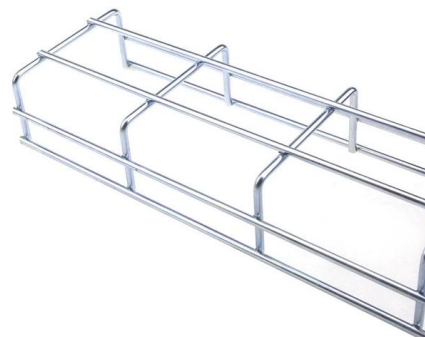


EU Series Strengthened Type Cable Trays

The EU Series Heavy Duty Cable Tray, with its structured design developed for ease of use. Available in custom sizes and various coatings!

EN Series Standard Type Cable Trays

"Technical Information" and "Loading Diagrams" about EN Series Standard Type Cable Trays are declared in the attached "Technical Catalog". The data declared



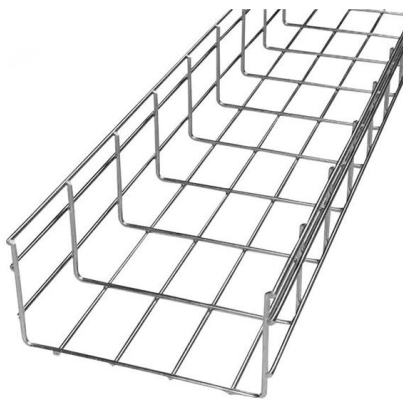
Cable Trays

Heavy Duty Cable Tray Systems Heavy duty cable trays and cable ladders are manufactured from pre-galvanized or hot-dipped galvanized sheet metal,



Wireways and Cable Trays Price Guide 2024, Cost Calculator

Hidden Cost Factors Shipping fees, custom cutting charges, and expedited delivery premiums impact final wireways and cable trays material cost estimate. What factors affect wireway



Trayco Cable trays , Trayco

Our cable trays with integrated ends increase our customers' competitiveness due to their capacity, light weight (L) or ease of assembly.



Europe Industrial and Commercial Cable Trays and Ladders

Germany, France, and the UK lead the regional market, while Eastern Europe shows rapid growth due to expanding manufacturing bases and EU-supported infrastructure projects.



Cable Tray Price List 2025: Current Market Rates

Find the latest cable tray price list for 2025. Compare B2B and B2C pricing, materials, and supplier options. Click to explore cost-effective solutions for industrial and commercial projects.



Contact Us

For datasheets, pricing, or custom high-speed optical interconnect solutions, please visit:

<https://www.syropy.com.pl>