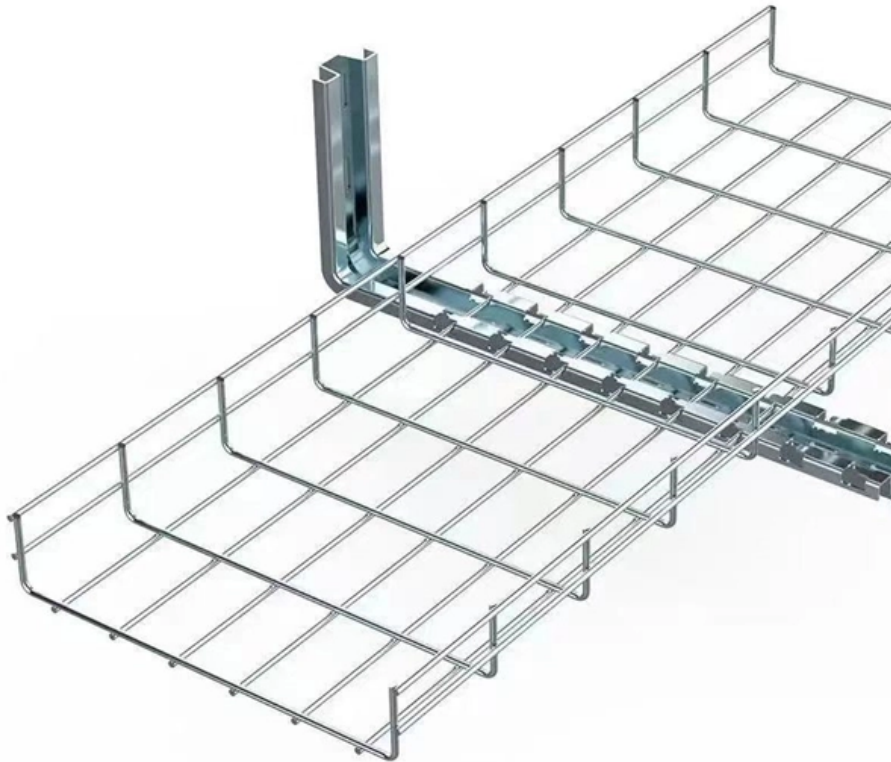


Dual-mode optical module and optical transceiver connection





Dual-mode optical module and optical transceiver connection



10 Gigabit Ethernet

A Foundry Networks router with 10 Gigabit Ethernet optical interfaces (XFP transceiver). The yellow cables are single-mode duplex fiber optic connections.

Single-Mode vs. Multimode Optical Transceivers: Three Major

Single-mode transceivers support a single light mode, while multimode transceivers support multiple light modes. Correctly identifying whether an optical transceiver is single-mode or



How Do Single-mode and Multi-mode Optical Transceiver Modules

Connectors and Adapters: Single-mode optical transceiver modules typically use LC connectors, while multi-mode optical modules use SC connectors or MPO connectors.

Difference Between Single and Dual Fiber Optical

Know the key differences between Single and dual-fiber optical transceivers for efficient network deployment and optimization.



**Media Converters (1000+ products)
compare price now »**

Media Converters are devices that enable the connection of different types of network media, such as copper and fibre optic cables. They help in extending network distances and integrating new

What Is A Single-Fiber BiDi Transceiver?--ETU-LINK

When planning a fiber optic network, one key decision is choosing between single-fiber (BiDi) and dual-fiber optical transceivers. This guide from ETU-Link explains



What are Optical Transceiver Modules, AOC, DAC, and

The biggest advantage of this connection method compared to AOC is that it can realize flexible connections between the optical modules and optical





We are Nokia , Nokia

We invent a new type of optical fiber, Non-Zero Dispersion Fiber (NZDF), that becomes widely deployed in intercontinental and long-haul terrestrial networks.



Custom 200GBASE-ER4 CFP2 Optical Transceiver

Upgrade legacy telecom chassis. The 200GBASE-ER4 CFP2 transceiver delivers robust thermal dissipation and 40km single-mode reach for core optical transport networks.



Demystifying Optical Transceivers: Your Top FAQs

? Optical Transceivers FAQ Summary This comprehensive guide answers the top 12 frequently asked questions to demystify optical modules and



Single Fiber vs Dual Fiber Transceivers Understanding

Among these devices, single-fiber modules (BiDi) and dual-fiber modules (standard duplex) are two primary categories. Understanding their





The Difference Between Optical Modules and Fiber

In summary, optical modules and fiber optic transceivers differ significantly in terms of conceptual nature, port type, functional characteristics



Single-Mode vs. Multimode Optical Transceivers: Three Major

Discover the differences between single-mode and multimode SFP modules. Choose the right one to suit your network needs for optimal performance and connectivity.

The Most Comprehensive Guide Of Optical Modules

Explore the ultimate guide to optical modules. Learn types, functions, performance metrics & how to choose the right module for your fiber network.



Complete Guide to Choosing the Right 100M Optical

Table of Contents In the vast ecosystem of network infrastructure, the humble 100M optical transceiver (or 100M SFP module) remains a critical



Difference Between Single and Dual Fiber Optical

Fiber optic technology has seen incredible growth over the past several years and will likely experience even more expansion over time. There

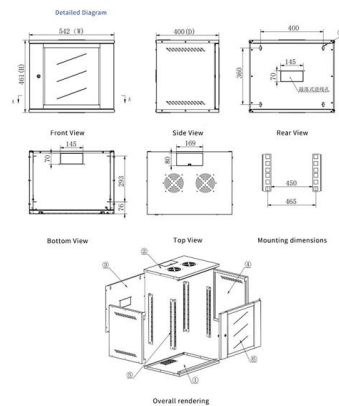


Optical Transceiver Interoperability and Compatibility Guide

It is likely to mix two modules with similar appearances or insert the same-sized transceiver into the wrong switch port. In these cases, the connection

Understanding Single-mode and Multi-mode Optical

In the realm of fiber optic communication, the choice between single-mode and multi-mode optical modules and fibers is critical for achieving efficient and reliable data



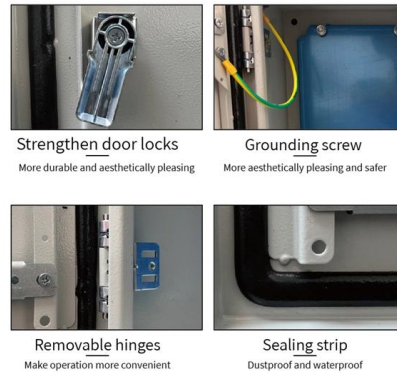
Understanding Single-mode and Multi-mode Optical

Conclusion: In conclusion, single-mode and multi-mode optical modules and fibers serve distinct purposes in sfp optical module communication, offering



SFP Dual LC Optical Transceivers

SFP Dual LC Optical Transceivers This design guide provides the information needed to incorporate OptixCom's fiber optics transceiver products in the customer's system. The SFP series of the



Factory Supply SFP28 25G 20km Duplex LC 1310nm DFB SFP Modules

A: Huizhou LINK-PP Technology Co., LTD is a specialized manufacturer of magnetic telecom and networking components, including Optical Transceiver, SFP Cage, RJ45 connector, LAN



Fibre Channel

The Fibre Channel physical layer is based on serial connections that use fiber optics to copper between corresponding pluggable modules. The modules may have a

SUPPORTS

DIN RAIL INSTALLATION



The Difference Between Single/Dual Fiber and

Table of Contents As fiber optic networks continue to evolve, selecting the right optical transceiver becomes increasingly important. Whether you're



Small Form-factor Pluggable

Small Form-factor Pluggable Small Form-factor Pluggable connected to a pair of fiber-optic cables Small Form-factor Pluggable (SFP) is a compact, hot-pluggable



Arista OSFP-800G-2FR4 , 800G Transceiver, 2x FR4, 2km Single-Mode

The Arista OSFP-800G-2FR4 is an 800 Gigabit Ethernet optical transceiver designed for 2km reach over single-mode fiber using dual duplex LC connectors. Utilizing four CWDM wavelengths (1271, 1291,

Contact Us

For datasheets, pricing, or custom high-speed optical interconnect solutions, please visit:
<https://www.syropy.com.pl>