

Dual Power Supply Box Dimensions and Specifications





Overview

Perfect for power and low voltage combo box needed behind computers, flat screen televisions and other electronic appliances. Altronix MaxFit55FE Dual Power Supply Expandable Power Systems provides system designers and installers with optimum power choices and the highest levels of versatility in a more compact and economical enclosure. Stabilised double power supply, 2 x 0 - 30 V/2 x 0 - 10 A, 5 V/3 A fixedDouble power supply unit for 19" rack mounting and also designed as a desktop unit in laboratories, industry and education. This guide aims to simplify your decision-making process and help you choose the dual power supply box that best fits your needs. As a member of the ABB MNS family, this particular product is widely used in the lower-level power distribution facilities with MNS® low-voltage switchgear in the following.



Dual Power Supply Box Dimensions and Specifications

PSUs 101: A Detailed Look Into Power Supplies

The objective of this article is to provide detailed information about the most crucial part of a personal computer (PC) system, its power supply unit.



2 GANG DUAL POWER BOX, 2-1/2" DEEP W/ CONDUIT KO'S

Two-device box for one power outlet and one low voltage device. Perfect for power and low voltage combo box needed behind computers, flat screen televisions and other electronic appliances.



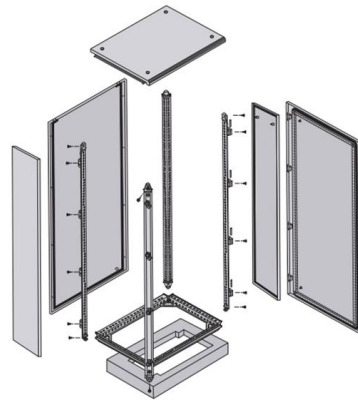
Ultimate Guide to Dual Power Supply Boxes: Benefits & Setup

A dual power supply box allows for two separate power inputs, which can be beneficial in various applications, particularly in data centers, telecommunications, and industrial settings.



Understanding Dual Power Supply Boxes: Applications and Benefits

A Dual Power Supply Box is an essential component for maintaining uninterrupted operations in today's technology-driven environments. Its benefits of redundancy, increased uptime,



MNS® Low Voltage Distribution Board and Power Cabinet

Technical Info -- From the sub distribution to factory power supply, from the general industry to the marine, nuclear power plant, MNS® power distribution box can provide high security, high reliability

Dual Power Switching Box Introduction: Principle

A dual power switching box is precisely the kind of gadget that guarantees a constant flow of electricity as it enables the user to shift the



Understanding the ATS Dual Power Distribution Box:

Discover the essentials of the ATS Dual Power Distribution Box, a pivotal component in low voltage power solutions. This guide delves into its

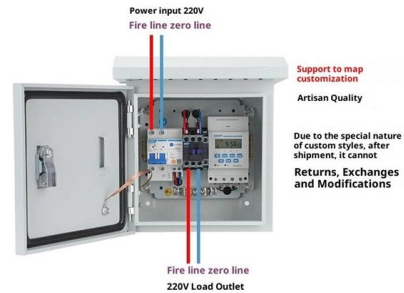


An Overview of Dual Power Supply Design ,



In this article, you will learn about the numerous types and configurations for designing PCB with a dual power supply. Mark Harris included

Product Wiring Diagram

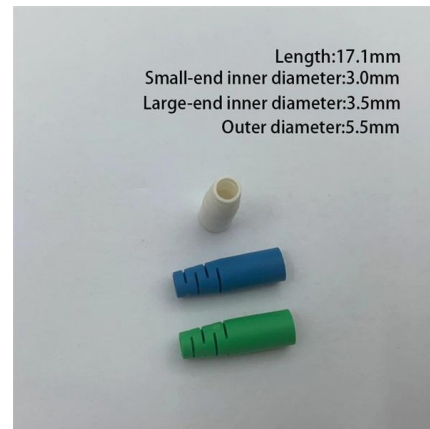


Power supply unit (computer)

Standby power allows a computer to be started remotely via wake-on-LAN and Wake-on-ring or locally via Keyboard Power ON (KBPO) if the motherboard

DEWALT® Home

Work Anywhere. Any Time. Overcome tough outdoor jobs with the power, performance, and durability of DEWALT® outdoor power equipment.



02

High Quality Material

High hardness to resist external impact, Good Shaping Performance Good Look and Anti-rust



Dual Power Source, ODPSE230C

Introduction ODPSE230C is used to provide power supply for motorized switches and breakers by using two lines, Line I and Line II.



Altronix Products

Altronix MaxFit55FE Dual Power Supply Expandable Power Systems provides system designers and installers with optimum power choices and the highest levels of versatility in a more compact and



What Is Dual Power Supply Pc Case? Upgrade Guide

Discover the benefits of a dual power supply PC case, learn how to upgrade and optimize your system with dual PSU, modular cabling, and high-wattage power supplies for



Microsoft Word

There's nothing quite like a power supply datasheet for providing specifications that are open to interpretation, vague or downright misleading. Two apparently similar units can deliver widely



How to Build a Dual Voltage Power Supply: Schematic and Step-by

Learn about dual voltage power supply schematics and how they can be used to power electronic devices. Find helpful information on designing and building your own dual voltage power supply.



Wiley Online Library , Scientific research articles, journals, books

Hier sollte eine Beschreibung angezeigt werden, diese Seite lässt dies jedoch nicht zu.



Dual Power Supply Construction and Working Explained

Learn dual power supply construction and working principles. Understand circuit design, components, and applications in electronics projects.



Electrical Boxes

Electrical Box or Gang Box Sizes & Dimensions
Gang boxes come in a variety of sizes, depending upon the number of wiring devices (outlets, switches, or other



PEAKTECH 6060 PeakTech 19" dual power supply unit,

Stabilised double power supply, 2 x 0 - 30 V/2 x 0 - 10 A, 5 V/3 A fixed
Double power supply unit for 19" rack mounting and also designed as a desktop unit in





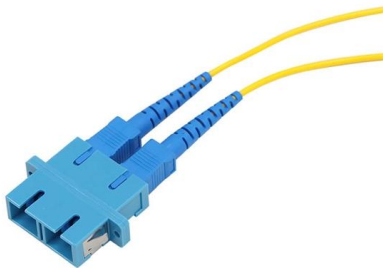
The Layout of a Dual Power Supply: Functional

The use of dual power supplies are beneficial in some cases and in others, an absolute requirement for proper functionality.



Essential Guide to Choosing the Right Dual Power Supply Box

When it comes to powering multiple devices efficiently, a dual power supply box can be a game changer. However, many customers face challenges when selecting the right one. This guide



Product Specifications & Technical Drawings Portable Power

Product Specification Sheets for Portable Power Distribution Units (PDU) Our Stock and Custom-built Power Distribution Units (PDU) are connected to a main power source or portable generator. The



DS_MaxFit_E_2PS_C13W dd

Altronix MaxFit Expandable Power Systems provide system designers and installers with optimum power choices and the highest levels of versatility. They provide 12VDC, 24VDC, or 12VDC and



Understanding Dual Power Supply Boxes: Applications and Benefits

A Dual Power Supply Box is a system that allows for the connection of two separate power sources to a single device or system. This redundancy ensures that if one power source fails,



Flex ATX Specific Guidelines 2.0

Flex ATX Specific Guidelines 2.0 For Flex ATX Form Factor with 12-volt connector power supplies. Mechanical dimension of power supplies has not changed from Multi Rail Desktop Power Supplies,

Power Supply Design Guide for Desktop Platform Form Factors

1 Introduction This document provides design suggestions for various power supply form factors. The power supplies are primarily intended for use with desktop system designs. It should not be inferred



MNS® Low Voltage Distribution Board and Power Cabinet

Check the specifications and models of the equipment and its attachments and spare parts against the packing list. They should conform to the requirements of the design drawings.



Powersafe Power Distribution Box Brochure , Powerlock Box

The power distribution box comes in both source and drain versions and in two panel sizes, 88mm and 108mm. DIMENSIONS 88mm (2U) box: H= 88mm, W= 483mm, D= 130mm 108mm box: H= 108mm,



Dual Power Supply Box: The Ultimate Guide to Reliable Power Solutions

A Dual Power Supply Box, as the name suggests, is designed to accommodate two separate power sources. Its primary function is to switch seamlessly between these sources, ensuring that your

Contact Us

For datasheets, pricing, or custom high-speed optical interconnect solutions, please visit:
<https://www.syropy.com.pl>