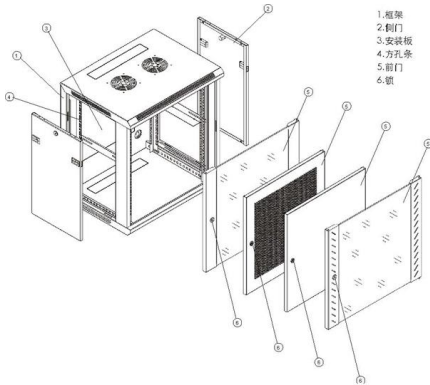


# Drop cable granules





## Drop cable granules



### Drop Fibre Optic Telecoms Cables & Connectivity Bulk

Experience the superior quality of Webro drop cables, crafted to provide consistent and high-quality connectivity in a range of applications. Shop now for the best in drop cables



### What is Fiber Drop Cable? Role in FTTH Networks

Drop fiber optic cable not only forms the final external link between the user and the feeder cable, also makes the fiber much closer.

### Drop Cable , SENTAL Export GmbH

Drop cables and building entry cables from SENTAL are specially designed to bring fiber optic networks reliably and efficiently directly into buildings. These cables



### Drop Cable: How to Choose the Right One?

What are Drop Cables? Drop cable also known as transceiver cables, is a cable used for connecting the computer network's interface card (NIC) to a transceiver



### Cables & Drop Assemblies

Recognizing that no two networks are alike, Clearfield has developed the industry's widest choice of drop cable solutions - speeding deployments and providing the



### Drop Cable , Prysmian

Designed to be flexible and easy to handle, our drop cables ensure quick and efficient installations. Our family of drop cables is designed to be universal and



### Fiber Optic Drop Cable Guide for FTTH Deployment

Discover fiber optic drop cable types, materials, and installation tips to improve FTTH deployment reliability, reduce maintenance costs, and speed network rollout.





## Demystifying Drop Cables: Understanding Their Types

What is drop cable? The introduction of fiber optic drop cable is critical to FTTH networks. It constitutes the optical cable line between the user access point and the user terminal.



## Drop Fibre Optic Telecoms Cables & Connectivity Bulk

Experience the superior quality of Webro drop cables, crafted to provide consistent and high-quality connectivity in a range of applications. Shop now for the best in drop cables.



## Fiber Drop Cables

Fiber Drop Cables Support the deployment of fiber optic cables with our toneable drop cable assembly. Its versatility helps you adapt to different installation scenarios and network requirements.



## FTTH Drop Cables , Indoor & Outdoor Fiber Drop Solutions

GYFJU - round indoor fiber cables GJYXCH, GJYXFCH, GYFXBY - outdoor and self-supporting drop cables Indoor FTTH Drop Cables Indoor drop



## Drop Cable , Drop Fiber and Drop Assemblies , FTTX

Compatible with industry-standard hardware and available in preconnectorized assemblies, SST-Drop Cables are the perfect solution for drop applications. A drop cable access tool is also available,

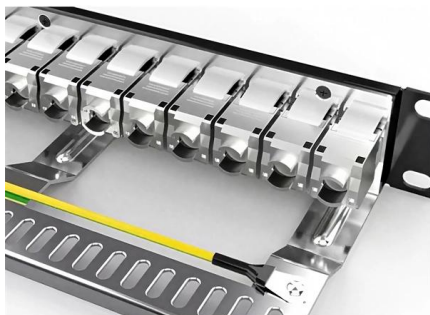


### Pre-terminated Drop Cable Assemblies

Featuring reduced-diameter flat drop cables, these assemblies are available with dielectric and toneable options and an innovative design which allows quick and easy access to the fiber to reduce prep and

### Drop Cables: See all products - Lightera

Browse our catalog of products grouped in the Drop Cables category. High quality and performance products!



### ROC Drop Cable Assembly

By featuring the ROC drop cable design, issues of slack storage capacity are virtually eliminated. The ROC drop cable minimum bend radius is half the size of legacy drop cable. The outer dimensions of



### Pre-connectorized Drop Cable

FTTH Fiber Optical Drop Cable Pre connected SCAPC SCUPC LCAPC LCUPC Optical connector 5\*2mm Flat Drop 3.0mm Round TPU for MDU ODN Solutions



### Drop Cable and Its Termination in FTTH

Drop Cable and Its Termination in FTTH FTTH (fiber to the home) networks are installed in many areas covering indoor section, outdoor section, as well as the

### External Overhead/Underground drop cables , Melbye

External Overhead/Underground drop cables 1F G657A2 pre-terminated 3mm overhead and underground (OH/UG) drop cables eliminating the need to splice



### The Quickest Way To Install Fiber Drop Cable Description

Description FiberSource pre-terminated OSP drop cables provide easy FTTx (Fiber-To-The-X) installation and termination using existing hardware and installation methods for drops to homes and



## What Are the Two Most Common Types of Drop Cable Used Today?

In the modern telecommunications landscape, drop cables play a critical role in connecting end-users to network infrastructure. Among the various types available, two stand out as



### Drop Cable

This cable has optical fibers presented in a tube filled with a thixotropic gel and enclosed in a thermoplastic sheath. The cable has two embedded strength members to avoid buckling.

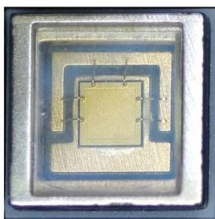
## How To Choose The Right FTTH Drop Cable?

Drop cable, as an important part of the FTTH network, forms the final external link between the subscriber and the feeder cable. Choosing the right



### Cable & Things

Drop Cables Drop cables usually consist of fibre cores, reinforced PBT loose tubes and aramid yarns which fill the whole diameter of the cable. Fibre cores are placed inside the tube and filled with jelly.





## **SST-Drop(TM) Single-Tube, Gel-Filled Cable 6 F, Single**

Available in dielectric and toneable versions, these cables are RDUP (RUS) Listed and deliver exceptional crush resistance, making them ideal for rugged



## **Contact Us**

---

For datasheets, pricing, or custom high-speed optical interconnect solutions, please visit:  
<https://www.syropy.com.pl>