

Does temperature affect fiber optic patch cords





Overview

While fiber optic cable is remarkably resilient, temperature changes do impact its performance—sometimes subtly, sometimes critically. Optical fiber's ability to withstand extreme heat and cold directly impacts signal integrity, network reliability, and maintenance costs, especially in harsh environments like industrial facilities, outdoor installations, and data centers. The effects aren't electrical, but they are very real: rooted in thermodynamics, material science, and waveguide physics. Temperature fluctuations can significantly influence the attenuation rates of fiber optic cables. Indeed, we have designed high-temperature cables for applications ranging from 150 °C to 1000 °C.



Does temperature affect fiber optic patch cords



Does temperature affect fiber optic cable?

Temperature fluctuations can significantly influence the attenuation rates of fiber optic cables. Higher temperatures tend to increase the attenuation due to alterations in the glass's

How Temperature Affects Fiber Optic Cables: A Guide

Learn about the impact of temperature on fiber optic cables and how to mitigate it. Find out the causes, effects, and solutions for temperature-related issues.



Fiber Patch Cable Guide

GT-LCSTDS2Y-xM fiber optic patch cords are ideal for short distance patching applications. These fiber optic cables tested for insertion loss and reflectance on all connectors.



Infrastone : BLACK-STONE NETWORK

These cords are especially beneficial for data centers where space is limited. Selecting the right fiber patch cord for your network is critical for ensuring optimal performance and reliability. Whether you



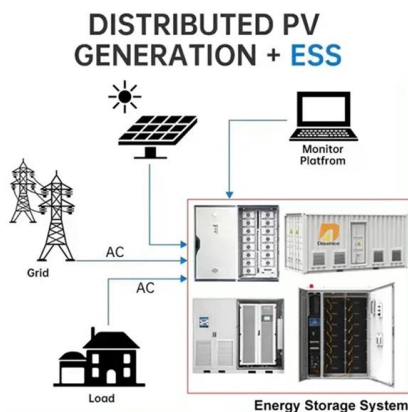
cold weather affect fiber optic cables and connectors

Optical fiber must be robust enough to cope with being run between communications masts for telecoms links, across freezing ground for television outside broadcasts, and alongside roads to carry video



cold weather affect fiber optic cables and connectors

One specific problem is how the fibers and connectors cope with sub-zero temperatures. Water can make its way into the conduit or duct carrying the fiber, typically if there are any gaps or imperfect



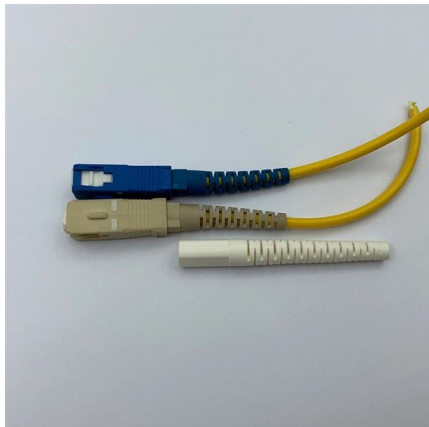
High-temperature optical fiber patchcords

Caution: the connectors cannot withstand temperatures as high as the patchcords. Depending on the environment, the connectorisations and the different

Thermal Effects in Optical Fibres



Thus, the conjugation of high power propagation and tight bending, resulting from the actual FTTH infrastructures, is responsible for fibre lifetime reduction, mainly caused by the local increase of the



How does cold weather affect fiber optic cables and

Rugged connectors If we want to cost-effectively protect an optical fiber against extreme temperatures, it is therefore essential to protect the end

Effective Patch Cord Management Guide

Effectively patch cord management can reduce overall operational cost of your fiber optic network. Enhancing its reliability and flexibility.



How Much Temperature Can Optical Fiber Withstand? A Complete

We'll explore thermal limits for different fiber types, explain how temperature affects fiber performance, break down application-specific thermal challenges, and provide actionable tips for choosing the right



Fiber Optic Patch Cord Selection Guide for High-Temperature

Discover the details of Fiber Optic Patch Cord Selection Guide for High-Temperature Industrial Environments at Dongguan Blueto Electronics & Communication Co., Ltd, a leading supplier in China



Ultimate Guide to Fiber-Optic Patch Cables: Types, Selection, and

Learn about fiber optic patch cables, their types, construction, applications, and how to choose the right one for your network needs.

Choosing the Right Optical Fiber Patch Cord

Find out how to select the perfect optical fiber patch cord for your needs. Explore considerations, maintenance tips, and troubleshooting techniques for optimal performance.



Relationship Between Temperature and Fiber Optic Cable

Overall, the temperature range for optical fiber cables can vary depending on the specific application and the type of fiber used. It is crucial to consider the



Maximizing Fiber Optic Patch Cord Lifespan: Maintenance Tips

Maintaining optimal temperature and humidity levels is paramount for preserving the performance and reliability of fiber optic patch cords. Fluctuations in temperature and excessive



Various specifications optional



What to Watch Out for When Buying Fiber Optic Patch

Buying the right fiber optic patch cords is a critical decision that can significantly impact the performance and reliability of your network. By

Online Bulk Cable Company , CableWholesale

As a premier online bulk cable company, CableWholesale carries a large inventory of computer cables, USB, HDMI, fiber optic, VGA cables, and more. Shop now!



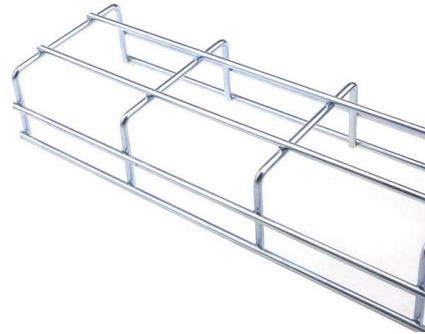
Do Temperature Changes Really Impact Fiber Performance

While fiber optic cable is remarkably resilient, temperature changes do impact its performance--sometimes subtly, sometimes critically. The effects aren't electrical, but they are very



How Winter Weather Impacts Fiber Optic Cables , Network Drops

Summary : Winter weather generally has minimal impact on fiber optic cables since they transmit data through light rather than electricity, making them resistant to temperature-related signal



Why Patch Cord Quality Affects Network Stability?

Engineering explanation of how fiber optic patch cord quality directly affects network stability, and long-term reliability in FTTH and data center systems.

How does cold weather affect fiber optic connectors and cables?

It does, however, come with its own challenges. Installation and management must be carefully managed because of the delicate nature of optical fibre. Any amount of grease, dirt or



11 Things You Need to Know About Fiber Patch Cable

Fiber optic patch cords are immune to electromagnetic interference (EMI) and radio frequency interference (RFI). In addition, they have the lowest





Fiber Optic patch cord FAQs

To ensure proper performance and avoid issues when using fiber optic patch cords, it is important to consider connector compatibility, fiber type, cable length, bend



The FOA Reference For Fiber Optics

Outside Plant Fiber Optic Cable Jump To: Fiber Optic Cable Construction Fiber Optic Cable Types Cable Design Criteria Choosing Cables Cable Types: (L>R):

Contact Us

For datasheets, pricing, or custom high-speed optical interconnect solutions, please visit:
<https://www.syropy.com.pl>